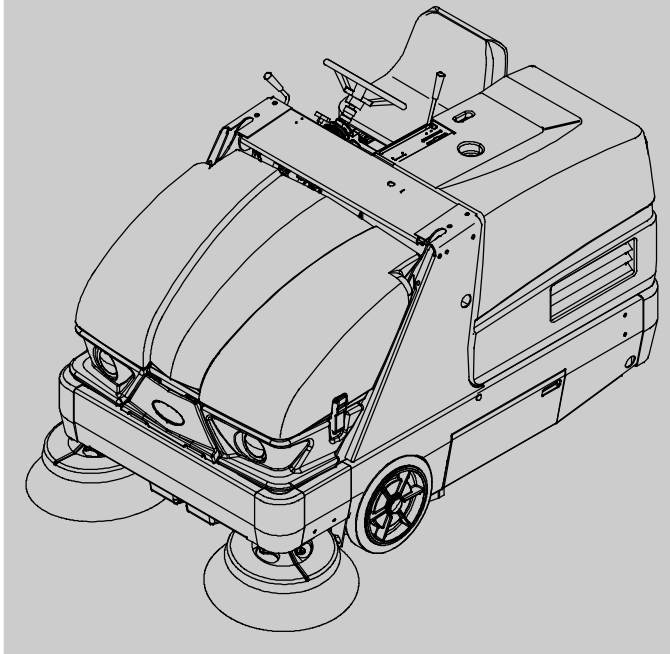
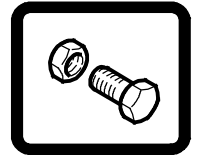




S20

(Gas/LPG)

Sweeper Parts Manual



SweepMax™ System
ShakeMax™ 360
TennantTrue® Parts
IRIS® a Tennant Technology

North America / International

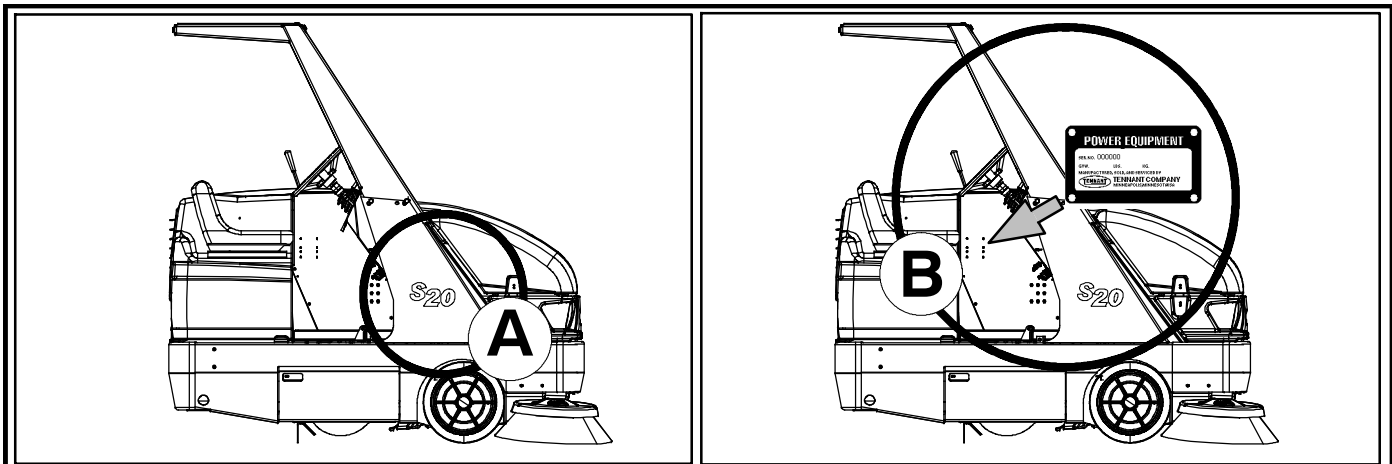


For latest parts manual or other
Operator language manual, visit:

www.tennantco.com/manuals

9006723
Rev. 09 (1-2016)





Ref	Part No.	Serial Number	Description	Qty.
1	82681	(000000-)	Bracket Wldt, Lpg Mount	1
2	63810	(000000-)	Latch Assy, Lpg Tank Mtg, W/Nut	4
3	51839	(000000-)	Nut Adjustable, Lpg Tank Mtg	2
4	49263	(000000-)	Tie, Cable	3
5	82556	(000000- 001039)	Bracket, Vaporizer	1
6	54930	(000000-)	Vaporizer, LPG	1

HOW TO ORDER PARTS - See diagram above

Only use TENNANT Company supplied or equivalent parts. Parts and supplies may be ordered online, by phone, by fax or by mail.

Follow the steps below to ensure prompt delivery.

1. **(A)** Identify the machine model.
2. **(B)** Identify the machine serial number from the data plate.
3. **(C)** Ensure the proper serial number is used from the parts list.
4. Identify the part number and quantity. Do not order by page or reference numbers.
5. Provide your name, company name, customer ID number, billing and shipping address, phone number and purchase order number.
6. Provide detail shipping instructions.

(D) ▽ - Identifies an assembly
 ▲ - Identifies parts included in assembly

EN

Please fill out at time of installation for future reference.

Model No. - _____

Serial No. - _____

Machine Options - _____

Sales Rep. - _____

Sales Rep. phone no. - _____

Customer ID Number - _____

Installation Date - _____

Tennant Company
 PO Box 1452
 Minneapolis, MN 55440
 Phone: (800) 553- 8033 or (763) 513- 2850
 www.tennantco.com

Thermo- Sentry, Perma- Filter, InstantAccess, Lower total Cost of Ownership, and Duramer are trademarks of Tennant Company.

Specifications and parts are subject to change without notice.

Original instructions, Copyright © 2009, 2010, 2011, 2012, 2013, 2014, 2015, 2016 TENNANT Company, Printed in U.S.A.

CN	<p>如何订购部件 - 参见下表</p> <p>仅使用 TENNANT 公司提供的或同等部件。部件和供应可以在线订购，通过电话、传真或邮件订购。请遵循下面的步骤确保及时交付。</p> <ol style="list-style-type: none"> 1. (A) 确定机器型号。 2. (B) 从数据标签确定机器序列号。 3. (C) 确保使用部件列表中的正确序列号。 4. 确定部件号和数量。 不要按页面或参考编号订购。 5. 提供您的姓名、公司名称、客户 ID 号、付帐和送货地址、电话号码和采购单编号。 6. 提供详细的送货说明。 <hr/> <p>(D) ▽ - 确定组件 ▲ - 确定组件中包含的组件</p>	<p>请在安装时填写供未来参考。</p> <p>型号 - _____</p> <p>序列号 - _____</p> <p>机器选项 - _____</p> <p>销售代表 - _____</p> <p>销售代表电话号码 - _____</p> <p>客户 ID 编号 - _____</p> <p>安装日期 - _____</p>
-----------	--	--

ES	<p>CÓMO SOLICITAR PIEZAS - Consulte el diagrama anterior.</p> <p>Utilice sólo las piezas suministradas por TENNANT Company o piezas equivalentes. Puede solicitar las piezas a través de internet, por teléfono, por fax o por correo.</p> <p>Siga los siguientes pasos para que la entrega sea rápida.</p> <ol style="list-style-type: none"> 1. (A) Indique el modelo de máquina. 2. (B) Indique el número de serie de la etiqueta de datos. 3. (C) Asegúrese de que indica el número de serie correcto de la lista de piezas. 4. Indique la cantidad y el número de la pieza. No realice el pedido indicando el número de página o el de referencia. 5. Incluya su nombre, el nombre de la empresa, el ID de cliente, las direcciones de envío y facturación, el número de teléfono y el número del pedido de compra. 6. Facilite instrucciones de envío. <hr/> <p>(D) ▽ - identifica un conjunto ▲ - identifica piezas de un conjunto</p>	<p>Rellene estos datos cuando realice la instalación para utilizarlos como referencia en el futuro.</p> <p>Nº modelo - _____</p> <p>Nº serie - _____</p> <p>Opciones de la máquina - _____</p> <p>Vendedor - _____</p> <p>Nº teléfono vendedor - _____</p> <p>Nº cliente - _____</p> <p>Fecha de instalación - _____</p>
-----------	--	---

FR	<p>COMMENT COMMANDER DES PIÈCES DÉTACHÉES - Voir le schéma ci-dessus.</p> <p>Utilisez uniquement des pièces fournies par la société TENNANT ou équivalentes. Les pièces et fournitures peuvent être commandées en ligne, par téléphone, fax, ou par courrier.</p> <p>Suivez les étapes ci-dessous pour assurer une livraison rapide.</p> <ol style="list-style-type: none"> 1. (A) Identifiez le modèle de la machine. 2. (B) Identifiez le numéro de série de la machine, à partir de l'étiquette signalétique. 3. (C) Assurez-vous que le numéro de série correct est utilisé à partir de la liste de pièces détachées. 4. Identifiez le numéro de pièce et la quantité. Ne commandez pas par page ou numéros de référence. 5. Fournissez votre nom, le nom de votre société, votre numéro d'identification de client, l'adresse de facturation et d'expédition, le numéro de téléphone et le numéro du bon de commande. 6. Fournissez des instructions d'expédition détaillées. <hr/> <p>(D) ▽ - identifie un assemblage ▲ - identifie les pièces composant l'assemblage</p>	<p>A remplir au moment de l'installation à titre de référence.</p> <p>Nº du modèle - _____</p> <p>Nº de série - _____</p> <p>Options de la machine - _____</p> <p>Agent commercial - _____</p> <p>Nº tél. de l'agent commercial - _____</p> <p>Numéro d'identification client - _____</p> <p>Date d'installation - _____</p>
-----------	--	---

JP	<p>パーツの発注方法 ? 上記の図を参照してください</p> <p>TENNANT社製のパーツまたは同等品のみをお使いください。パーツやサプライ品のご注文は、オンライン、電話、FAX、または手紙でお願いいたします。確実にお届けできるように、以下の情報お知らせください。</p> <ol style="list-style-type: none"> 1. (A) 製品のモデル名をお知らせください。 2. (B) 製品のデータラベルに印刷されているシリアル番号をお知らせください。 3. (G) パーツリストを参照して、シリアル番号が正しいかご確認ください。 4. パーツ番号と数量をお知らせください。マニュアル/カタログのページ番号や参照番号でのご注文はご遠慮ください。 5. お客様のお名前、会社名、顧客ID番号、請求/発送先住所、電話番号、注文書番号をお知らせください。 6. 発送に関するご希望があれば、明記してください。 <hr/> <p>(D) ▽ - アセンブリを示します ▲ - アセンブリに含まれるパーツを示します</p>	<p>後日確認できるように、設置時に記入してください。</p> <p>モデルNo. - _____</p> <p>シリアルNo. - _____</p> <p>製品のオプション - _____</p> <p>販売代理店 - _____</p> <p>販売代理店の電話番号 - _____</p> <p>顧客ID番号 - _____</p> <p>設置日 - _____</p>
-----------	---	---

GENERAL RECOMMENDED MAINTENANCE

G, NA

General Recommended Maintenance Items

Ref.	Part No.	Serial Number	Description	Qty.
▽	9006389	(000000-) Maint Kit, 400hr [S20 Gas, Kubo]	1
▲	36050	(000000-) Filter, Fuel, In- Line [02pm/08if]	1
▲	382493	(000000-) Element, Fltr, Air	1
▲	1049908	(000000-) Belt, V, 37.5l [3v, 3vx]	1
▲	9006496	(000000-) Sparkplug [Ku]	3
▲	9006427	(000000-) Element, Fltr, Oil, Spin- On [Ku]	1
▽	9006393	(000000-) Maint Kit, 800hr [S20 Gas, Kubo]	1
▲	9006427	(000000-) Element, Fltr, Oil, Spin- On [Ku]	1
▲	9006496	(000000-) Sparkplug [Ku]	1
▲	36050	(000000-) Filter, Fuel, In- Line [02pm/08if]	1
▲	65221	(000000-) Element, Fltr, Hyd Oil	1
▲	9006534	(000000-) Cap, Breather, Hyd	1
▲	361023	(000000-) Strainer, Hyd, 010gpm 100mesh	1
▲	1057710	(000000-) Oil, Hyd [El, Iso 100, 01Gal]	1
▲	1045900	(000000-) Filter, Cyl, 11.09d, 13.31l, 6.724 ld	1
▲	1044356	(000000-) Gasket, Cover	1
▲	360134	(000000-) Seal	1
▲	360136	(000000-) Flap, Recirculation	1
▲	360761	(000000-) Seal	1
▲	360784	(000000-) Seal	1
▲	1047575	(000000-) Skirt, Neo, .12 2ply, Dust- Cntrl	1
▲	360603	(000000-) Seal, Rbr, .13 6.34w 36.3l, 12/.28h, Red	1
▲	87689	(000000-) Cord, Sponge, Neo, 1.0d 36.3l	1
▲	360844	(000000-) Seal, Door, Dump, Side	2
▲	360327	(000000-) Skirt, Neo, .12, 05.20w 36.10l, 06/ SI	1
▲	360336	(000000-) Seal	1
▲	87181	(000000-) Seal, Hppr, .06 12.5w 36.6l Neo	1
▲	1057602	(000000-) Skirt, Neo, .12, 12.26w 14.50l, 07/ SI	2
▲	40870- 8	(000000-) Hose, Flex, Vacuum, 04.0d, 050.0l	1
▲	361153	(000000-) Hose, Flex, Vacuum, 04.0d, 010.5l 4x2end	1
▲	1049908	(000000-) Belt, V, 37.5l [3v, 3vx]	1
▲	382493	(000000-) Element, Fltr, Air	1
▲	1044357	(000000-) Seal, Inlet, Vacuum	1
▲	375047	(000000-) Belt, V, Alternator [Ku]	1

GENERAL RECOMMENDED MAINTENANCE

LP, NA

General Recommended Maintenance Items

Ref.	Part No.	Serial Number	Description	Qty.
▽	9006390	(000000-) Maint Kit, 400hr [S20 Lpg, Kubo]	1
▲	382493	(000000-) Element, Fltr, Air	1
▲	1049908	(000000-) Belt, V, 37.5l [3v, 3vx]	1
▲	9006496	(000000-) Sparkplug [Ku]	3
▲	9006427	(000000-) Element, Fltr, Oil, Spin- On [Ku]	1
▽	9006394	(000000-) Maint Kit, 800hr [S20 Lpg, Kubo]	1
▲	9006427	(000000-) Element, Fltr, Oil, Spin- On [Ku]	1
▲	9006496	(000000-) Sparkplug [Ku]	1
▲	65527	(000000-) Fuelock Kit, Replmt	1
▲	65221	(000000-) Element, Fltr, Hyd Oil	1
▲	9006534	(000000-) Cap, Breather, Hyd	1
▲	361023	(000000-) Strainer, Hyd, 010gpm 100mesh	1
▲	1057710	(000000-) Oil, Hyd [El, Iso 100, 01Gal]	1
▲	1045900	(000000-) Filter, Cyl, 11.09d, 13.31l, 6.724 ld	1
▲	1044356	(000000-) Gasket, Cover	1
▲	360134	(000000-) Seal	1
▲	360136	(000000-) Flap, Recirculation	1
▲	360761	(000000-) Seal	1
▲	360784	(000000-) Seal	1
▲	1047575	(000000-) Skirt, Neo, .12 2ply, Dust- Cntrl	1
▲	360603	(000000-) Seal, Rbr, .13 6.34w 36.3l, 12/.28h, Red	1
▲	87689	(000000-) Cord, Sponge, Neo, 1.0d 36.3l	1
▲	360844	(000000-) Seal, Door, Dump, Side	2
▲	360327	(000000-) Skirt, Neo, .12, 05.20w 36.10l, 06/ SI	1
▲	360336	(000000-) Seal	1
▲	87181	(000000-) Seal, Hppr, .06 12.5w 36.6l Neo	1
▲	1057602	(000000-) Skirt, Neo, .12, 12.26w 14.50l, 07/ SI	2
▲	40870- 8	(000000-) Hose, Flex, Vacuum, 04.0d, 050.0l	1
▲	361153	(000000-) Hose, Flex, Vacuum, 04.0d, 010.5l 4x2end	1
▲	1049908	(000000-) Belt, V, 37.5l [3v, 3vx]	1
▲	382493	(000000-) Element, Fltr, Air	1
▲	1044357	(000000-) Seal, Inlet, Vacuum	1
▲	375047	(000000-) Belt, V, Alternator [Ku]	1
	16411	(000000-) Paint, Airdry, Off- White, 12oz	1
	16412	(000000-) Paint, Airdry, Teal, 12oz, Solid	1
	377540	(000000-) Paint, Airdry, Blk, 12oz	1
	377538	(000000-) Paint, Airdry, Gray, 12oz [Enamel]	1
	377537	(000000-) Paint, Airdry, Iron Gray,12oz[Pwdr Coat]	1

SECTION 2

Contents	Page	Contents	Page
Fig. 1 - Brushes, Replacement	2-2	Fig. 46 - Electrical Schematic	2-92
Fig. 2 - Main Frame and Skirts Group	2-4	Fig. 47 - Electrical Wire Harnesses Group	2-98
Fig. 3 - Brush Door Group, Right Side	2-6	Fig. 48 - Label Group	2-102
Fig. 4 - Brush Door Group, Left Side	2-8		
Fig. 5 - Seat and Cover Group (000000-003440)	2-10		
Fig. 6 - Seat and Cover Group (003441-)	2-12		
Fig. 7 - Rear Cover Latch Group (000000-002464)	2-14		
Fig. 8 - Rear Cover Latch Group (002465-)	2-16		
Fig. 9 - Operator Station Group	2-18		
Fig. 10 - Steering Wheel Group	2-20		
Fig. 11 - Engine and Mount Group	2-22		
Fig. 12 - Engine Flywheel Housing and Mount Group	2-24		
Fig. 13 - Engine Air Cleaner Group	2-26		
Fig. 14 - Engine Radiator Group	2-28		
Fig. 15 - Engine Fuel Tank Group, Gas	2-30		
Fig. 16 - Engine Fuel Tank Group, LPG	2-32		
Fig. 17 - Engine Vaporizer Group, LPG (000000-002099)	2-34		
Fig. 18 - Engine Vaporizer Group, LPG (002100-)	2-36		
Fig. 19 - Engine Muffler Group	2-38		
Fig. 20 - Engine Battery Group	2-40		
Fig. 21 - Directional Pedal Group	2-42		
Fig. 22 - Wheel and Brake Group, Front	2-44		
Fig. 23 - Wheel Group, Rear Drive	2-46		
Fig. 24 - Brush Lift Group, Main	2-48		
Fig. 25 - Brush Drive Group, Main	2-50		
Fig. 26 - Brush Lift Group, Side	2-52		
Fig. 27 - Brush Motor and Pivot Group, Side ..	2-54		
Fig. 28 - Vacuum Fan Control Group	2-56		
Fig. 29 - Vacuum Fan Group	2-58		
Fig. 30 - Hopper Lift Arms Group	2-60		
Fig. 31 - Hopper Lift Cylinder Group	2-62		
Fig. 32 - Hopper Group, Plastic	2-64		
Fig. 33 - Hopper Group, Steel	2-66		
Fig. 34 - Hopper Cover Group	2-68		
Fig. 35 - Hopper Support Group (001071-)	2-70		
Fig. 36 - Hopper Dump Door Group	2-72		
Fig. 37 - Hopper Filter Shaker Group	2-74		
Fig. 38 - Hydraulic Pump Linkage Group	2-76		
Fig. 39 - Hydraulic Schematic	2-78		
Fig. 40 - Hydraulic Hose Group (000000-002999)	2-80		
Fig. 41 - Hydraulic Hose Group (003000-)	2-82		
Fig. 42 - Hydraulic Pumps Group	2-84		
Fig. 43 - Hydraulic Reservoir Group	2-86		
Fig. 44 - Hydraulic Control Valve Group	2-88		
Fig. 45 - Hydraulic Solenoid Valve Group	2-90		

Fig. 1 - Brushes, Replacement

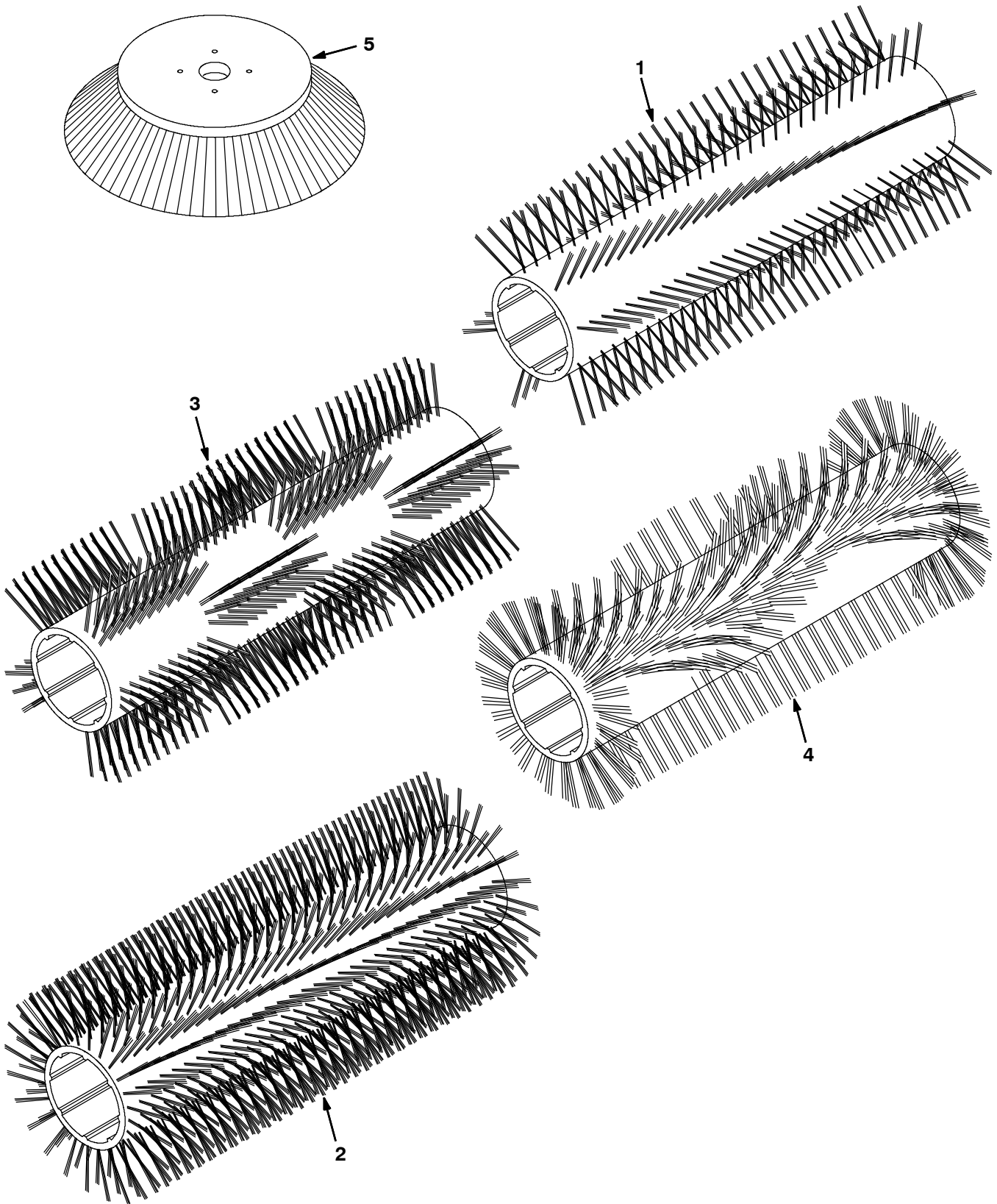


Fig. 1 - Brushes, Replacement

Ref.	Part No.	Serial Number	Description	Qty.
1	87334	(000000-) Brush- Sweep, Polyester 8Dr	1
1	87099	(000000-) Brush- Sweep, Polypropylene	1
1	87097	(000000-) Brush- Sweep, Polypropylene and Wire	1
1	385947	(000000-) Brush- Sweep, Natural Fiber	1
2	87333	(000000-) Brush- Sweep, Polyester 24Dr	1
3	370010	(000000-) Brush- Sweep, Window, Polypropylene	1
4	370025	(000000-) Brush- Sweep, Wedge, Polypropylene	1
5	08013N	(000000-) Brush- Side Swp, Soft Nylon	1
5	59431	(000000-) Brush- Side Swp, Polypropylene	1
5	59432	(000000-) Brush- Side Swp, Flatwire	1

Fig. 2 - Main Frame and Skirts Group

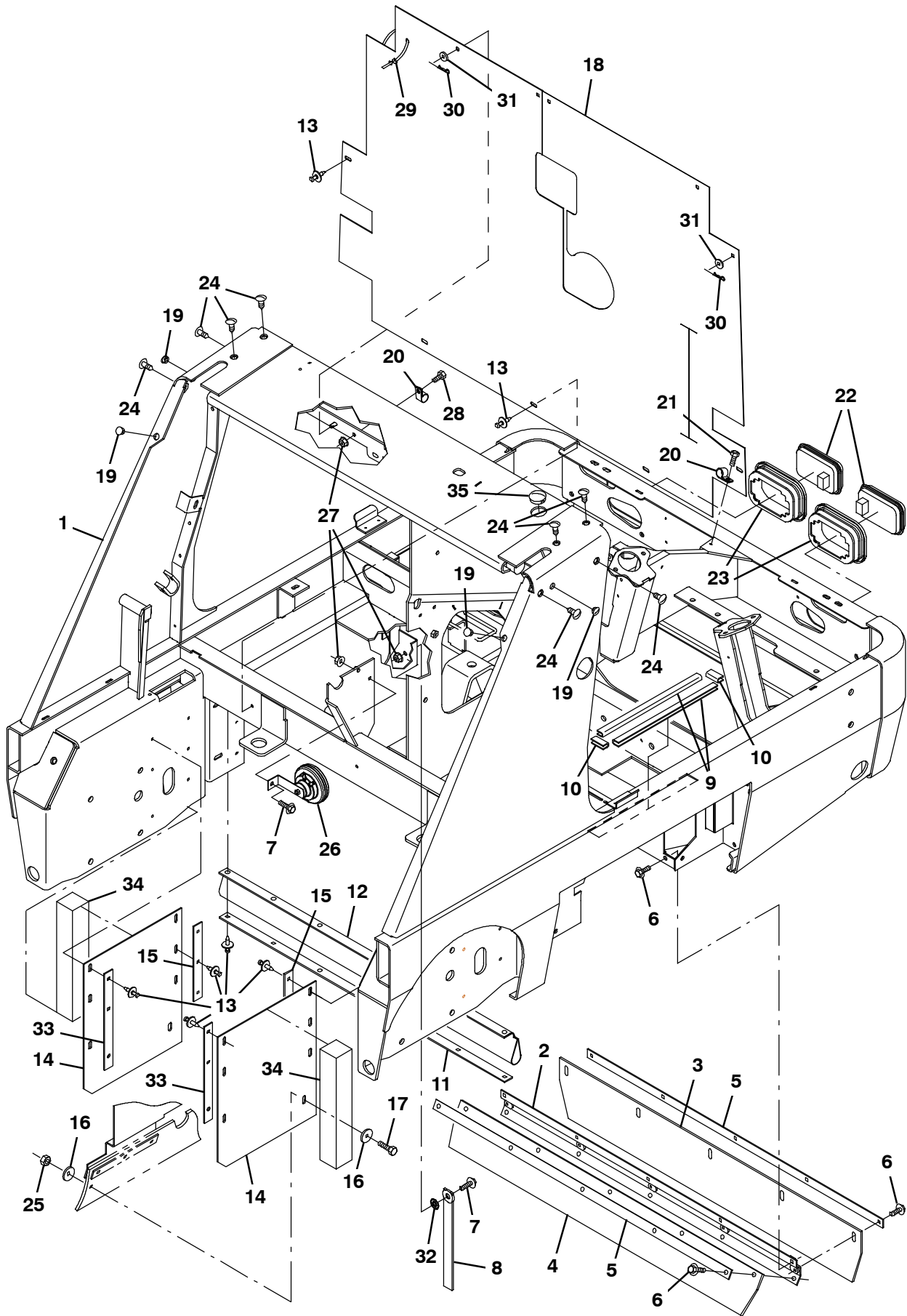


Fig. 2 - Main Frame and Skirts Group

Ref.	Part No.	Serial Number	Description	Qty.
1	1044372	(000000-) Frame Wldt, Main, Gas/Lpg/Dsl	1
2	360138	(000000-) Channel, Recirculation Flap	1
3	360134	(000000-) Seal	1
4	360136	(000000-) Flap, Recirculation	1
5	360137	(000000-) Strip, Retainer, Flap	2
6	1037346	(000000-) Screw, Hex, M8 X 1.25 X 25, 9.8, Sems	15
7	1037354	(000000-) Screw, Hex, M8 X 1.25 X 30, 9.8, Sems	2
8	71579	(000000-) Strap, Static, W/Grommet, .19 1.1w 25.0l	1
9	57564	(000000-) Molding, Trim, Pvc, .08- .11 05.0l	2
10	361160	(000000-) Molding, Trim, Pvc, .08- .11 01.0l	2
11	87180	(000000-) Retainer, Seal, Hppr, Top	1
12	87181	(000000-) Seal, Hppr, .06 12.5w 36.6l Neo	1
13	72968	(000000-) Rivet, Plstc, .250d X 0.90	27
14	1057602	(000000-) Skirt, Neo, .12, 12.26w 14.50l, 07/ SI	2
15	360781	(000000-) Retainer, Skirt, .12, 1.0w X 08.1l, PI	2
16	30013	(000000-) Washer, Flat, 0.31, Fendr	2
17	09740	(000000-) Screw, Hex, M8 X 1.25 X 20, Ss	1
18	1051250	(000000-) Seal, Firewall	1
19	02431	(000000-) Plug, Hole, Rnd, 0.56h .03- .12, Blk Nyl	4
20	67767	(000000-) Clamp, Cable, Stl, 0.69d X 0.62w, 1hole	3
21	74455	(000000-) Screw, Hex, M6 X 1.00 X 12, Fmg	2
22	1054620	(000000-) Taillight, Led, 13.5v, 5.3 X 3.4	2
23	1054619	(000000-) Grommet, Taillight, 5.44 X 3.56	2
24	1055605	(000000-) Plug, Hole, Rnd, 0.38h .4- .7, Blk Nyl	8
25	08709	(000000-) Nut, Hex, Lock, M8 X 1.25, NI	1
26	369704	(000000-) Horn, 12vdc, Dba [Wolo]	1
27	07791	(000000-) Nut, Hex, Flng, M8 X 1.25	3
28	39277	(000000-) Screw, Hex, M8 X 1.25 X 25, 8.8	1
29	44961	(000000-) Tie, Cable, Nyl, 14.5l .30w 4.0 Max D	1
30	86866	(000000-) Pin, Cotter, Hair, 0.38d .072 Wir	4
31	32491	(000000-) Washer, Flat, 0.31, Std	4
32	41141	(000000-) Washer, Lock, Int-Ext, 0.31	1
33	1057684	(000000-) Retainer, Skirt, .12, 1.0w X 10.4l, PI	2
34	1042791	(000000-) Insulation, Acstc, 2.0, 02.0 X 12.0	1
35	1061216	(001281-) Plug, Hole, Rnd, 1.37h 0.45l, Blk Nyl	2

Fig. 3 - Brush Door Group, Right Side

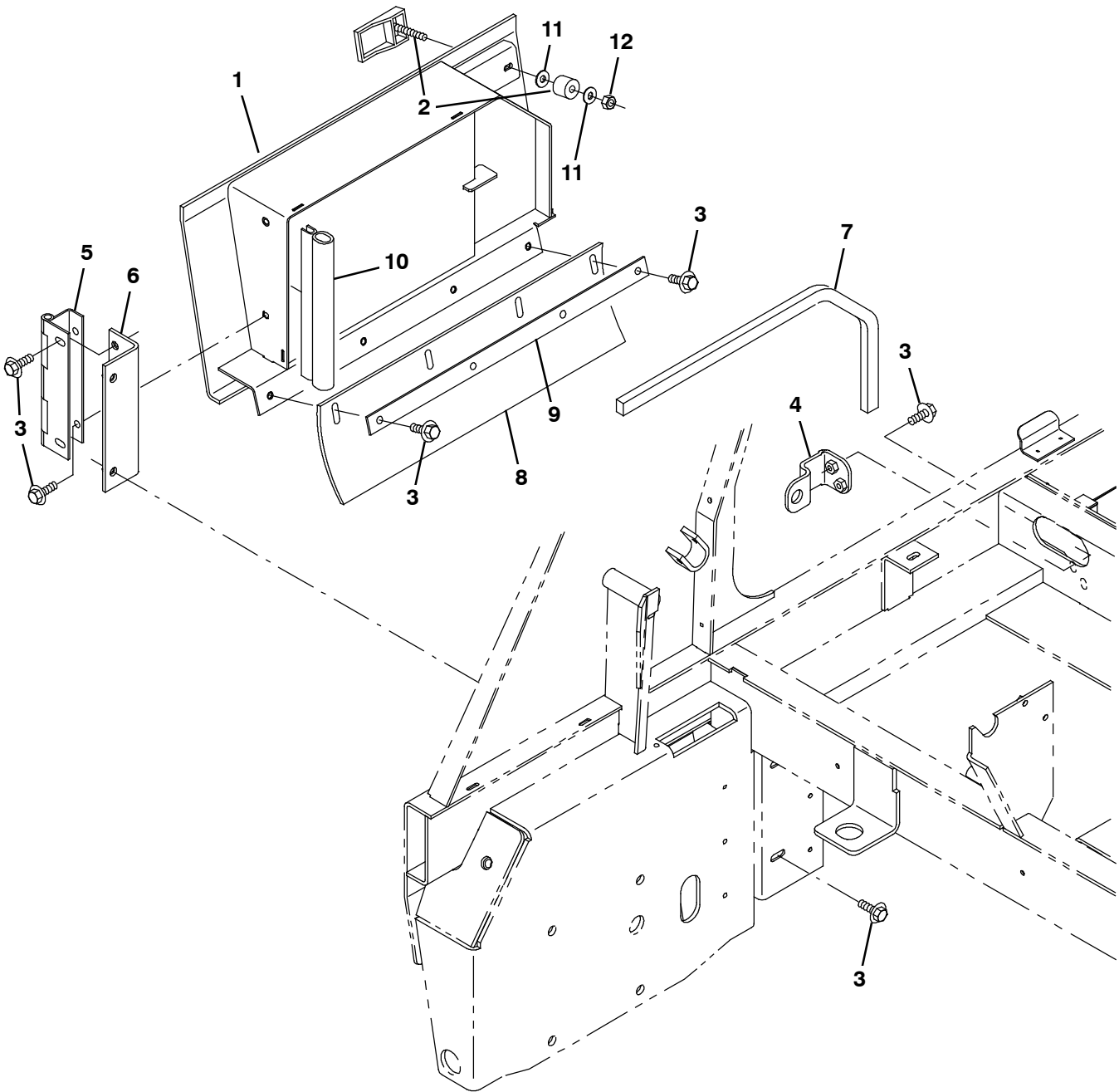


Fig. 3 - Brush Door Group, Right Side

Ref.	Part No.	Serial Number	Description	Qty.
1	1044844	(000000-) Door Wldt, Brush, Rh	1
2	360388	(000000-) Latch, Swell	1
3	1020341	(000000-) Screw, Hex, M8 X 1.25 X 20, Ss, Sems	12
4	1048746	(000000-) Bracket, Stop, Brush Door	1
5	360283	(000000-) Hinge, .38pin .12 3.5w 07.8l, 4/0.38h	1
6	1048750	(000000-) Bracket, Hinge, Door	1
7	360319	(000000-) Seal, Rbr, Open, 0.38, 1.25w 25.5l	1
8	360784	(000000-) Seal	1
9	361306	(000000-) Retainer, Skirt, .12, 1.0w X 19.3l, PI	1
10	363502	(000000-) Seal, Bulb, Str, 0.50d .13grip 009.4l	4
11	39349	(000000-) Washer, Flat, 0.31, Sae	2
12	32960	(000000-) Nut, Hex, Lock, .31- 24, NI	1

Fig. 4 - Brush Door Group, Left Side

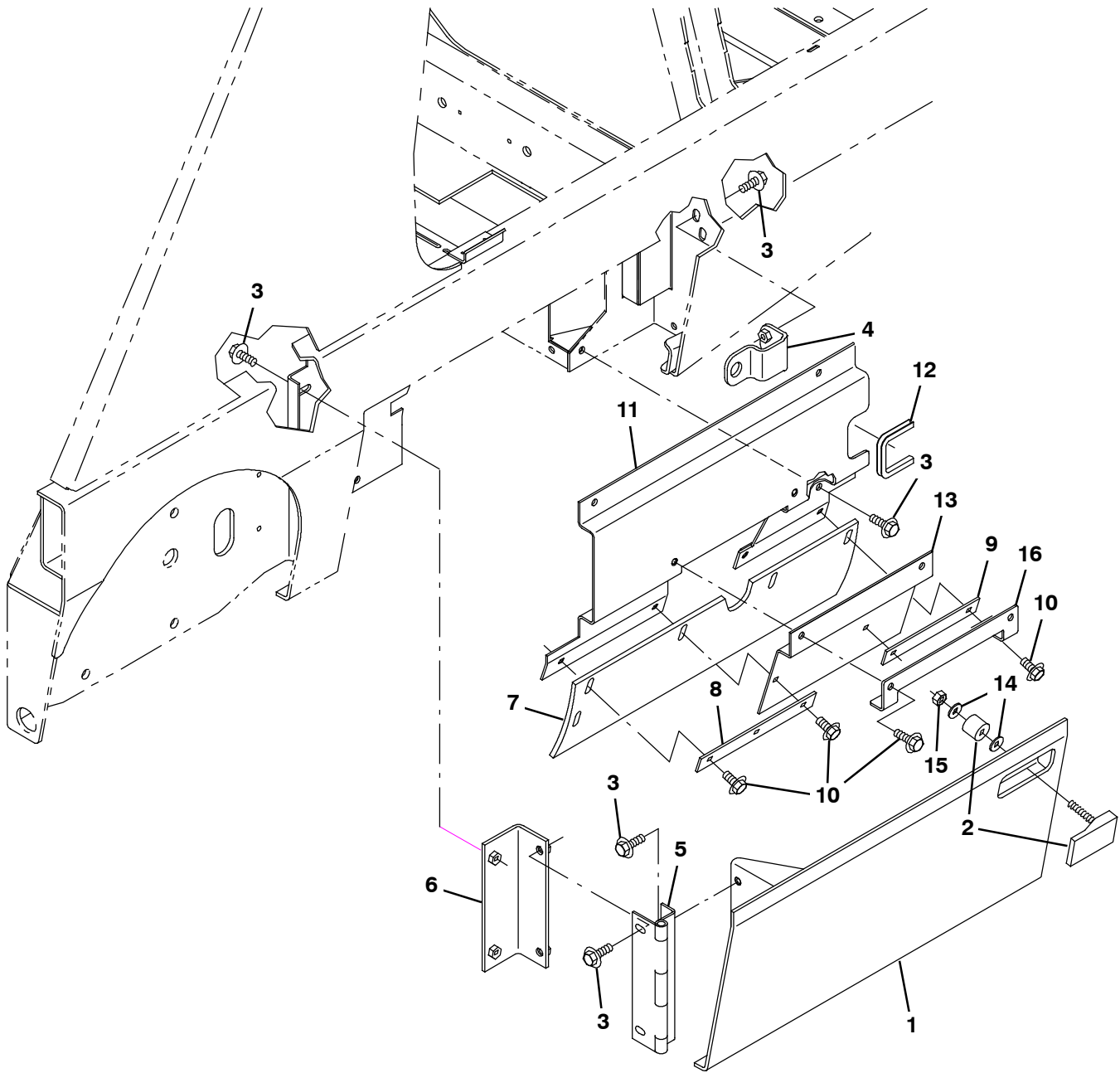


Fig. 4 - Brush Door Group, Left Side

Ref.	Part No.	Serial Number	Description	Qty.
1	1044845	(000000-) Door Wldt, Brush, Lh	1
2	360388	(000000-) Latch, Swell	1
3	1037346	(000000-) Screw, Hex, M8 X 1.25 X 25, 9.8, Sems	12
4	1048746	(000000-) Bracket, Stop, Brush Door	1
5	360283	(000000-) Hinge, .38pin .12 3.5w 07.8l, 4/0.38h	1
6	1048750	(000000-) Bracket, Hinge, Door	1
7	360761	(000000-) Seal	1
8	360781	(000000-) Retainer, Skirt, .12, 1.0w X 08.1l, PI	1
9	360763	(000000-) Strip, Retainer, Seal	1
10	1020341	(000000-) Screw, Hex, M8 X 1.25 X 20, Ss, Sems	6
11	1048751	(000000-) Plate, Seal, Hyd Drive	1
12	57564	(000000-) Molding, Trim, Pvc, .08- .11 05.0l	1
13	1056205	(000000-) Seal, Dust	1
14	39349	(000000-) Washer, Flat, 0.31, Sae	2
15	32960	(000000-) Nut, Hex, Lock, .31- 24, NI	1
16	1056206	(000000-) Strip, Retainer, Seal	1

Fig. 5 - Seat and Cover Group (000000-003440)

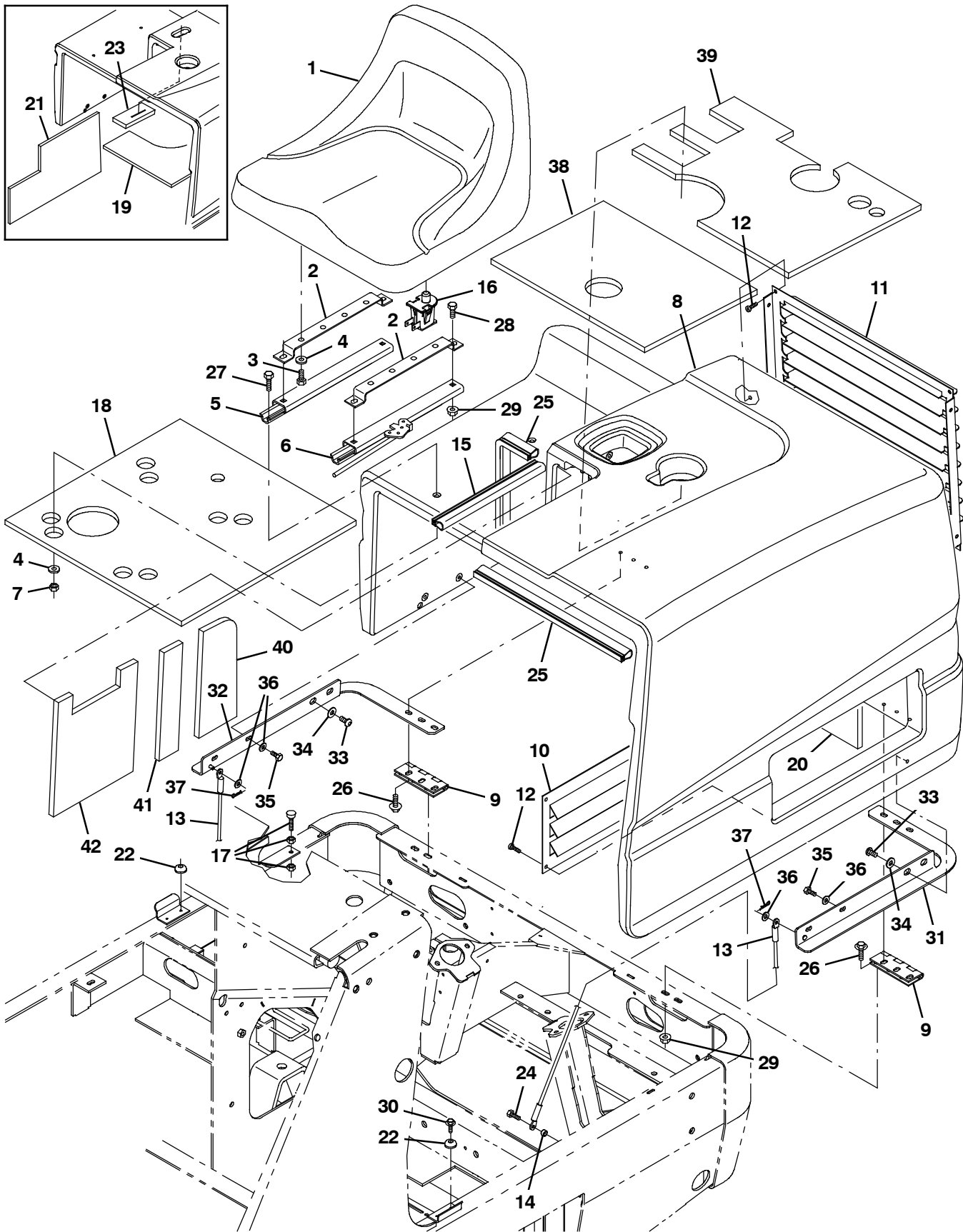


Fig. 5 - Seat and Cover Group (000000-003440)

Ref.	Part No.	Serial Number	Description	Qty.
1	9010740	(000000-003440)	Seat Kit, Replacement [S20]	1
2	1045229	(000000-003440)	Bracket, Adj, Seat	2
3	54395	(000000-003440)	Screw, Hex, .31- 18 X 0.62, G5	4
4	32490	(000000-003440)	Washer, Flat, 0.25, Std	8
5	1047447	(000000-003440)	Track, Slide, Seat Adj, 12.5l	1
6	1048198	(000000-003440)	Track, Slide, Seat Adj, 12.5l, W/ Latch	1
7	08709	(000000-003440)	Nut, Hex, Lock, M8 X 1.25, NI	4
8	1060541	(000000-002464)	Shroud, Rear, Trimmed	1
8	1064956	(002465-003440)	Shroud, Rear [S20]	1
9	360704	(000000-003440)	Hinge, .25pin .12 3.0w 04.5l, 6/0.38sl	2
10	1049988	(000000-003440)	Panel, Louver	1
11	1049987	(000000-003440)	Panel, Louver	1
12	360973	(000000-003440)	Screw, Pan, 12- 16 X 0.50, F/ Plstc	8
13	1056045	(000000-003440)	Cable, Glv .13d 024.2l .25eye /.25eye	2
14	222516	(000000-003440)	Sleeve, P/M, 0.32b 0.50d 0.3l [430ss]	2
15	1050785	(000000-003440)	Seal, Afrmkt, Bulb, 90, 1.33 01ft	1
16	1048955	(000000-003440)	Switch, Seat, No [Delta 6440- 04]	1
17	75128	(000000-003440)	Spindle, Adjustment	1
18	361345	(000000-003440)	Insulation, Acstc, 0.5, 21.4 X 20.6 C- O	1
19	361342	(000000-002464)	Insulation, Acstc, 0.5, 32.0 X 21.6 Ntch	1
20	361344	(000000-003440)	Insulation, Acstc, 0.5, 31.6 X 14.1 Ntch	1
21	361343	(000000-002464)	Insulation, Acstc, 0.5, 21.5 X 12.2 Ntch	1
22	361554	(000000-003440)	Bumper, Rbr, 0.90d 0.38th 0.18h	2
23	361951	(000000-002464)	Insulation, Acstc, 0.8, 06.6 X 03.0 Slit	1
24	11329	(000000-003440)	Screw, Hex, M6 X 1.00 X 16, NI, Ss	2
25	10576	(000000-003440)	Seal, Bulb, 90, 0.50d .06- .09grip 022.5l	1
26	1037346	(000000-003440)	Screw, Hex, M8 X 1.25 X 25, 9.8, Sems	8
27	06955	(000000-003440)	Screw, Hex, M8 X 1.25 X 35, 8.8	4
28	16735	(000000-003440)	Screw, Hex, M8 X 1.25 X 16, 8.8	4
29	07791	(000000-003440)	Nut, Hex, FIng, M8 X 1.25	8
30	223198	(000000-003440)	Screw, Hex, M5 X 0.80 X 10, Fmg	2
31	1058717	(001518-003440)	Plate Wldt, Lh	1
32	1058722	(001518-003440)	Plate Wldt, Rh	1
33	17284	(001518-003440)	Screw, Btn, M8 X 1.25 X 16, Ss	4
34	32491	(001518-003440)	Washer, Flat, 0.31, Std	4
35	11329	(001518-003440)	Screw, Hex, M6 X 1.00 X 16, NI, Ss	6
36	32490	(001518-003440)	Washer, Flat, 0.25, Std	2
37	08085	(001518-003440)	Pin, Cotter, Hair, 0.31d .058 Wir	2
38	1068101	(002465-003440)	Insulation, Acstc, 0.5, 13.0 X 17.8 Ntch	1
39	1068102	(002465-003440)	Insulation, Acstc, 0.5, 15.4 X 20.5 Ntch	1
40	1068103	(002465-003440)	Insulation, Acstc, 0.5, 4.5 X 11.0 Ntch	1
41	1068104	(002465-003440)	Insulation, Acstc, 0.5, 2.3 X 11.1 Ntch	1
42	1068105	(002465-003440)	Insulation, Acstc, 0.5, 9.2 X 11.8 Ntch	1

Fig. 6 - Seat and Cover Group (003441-)

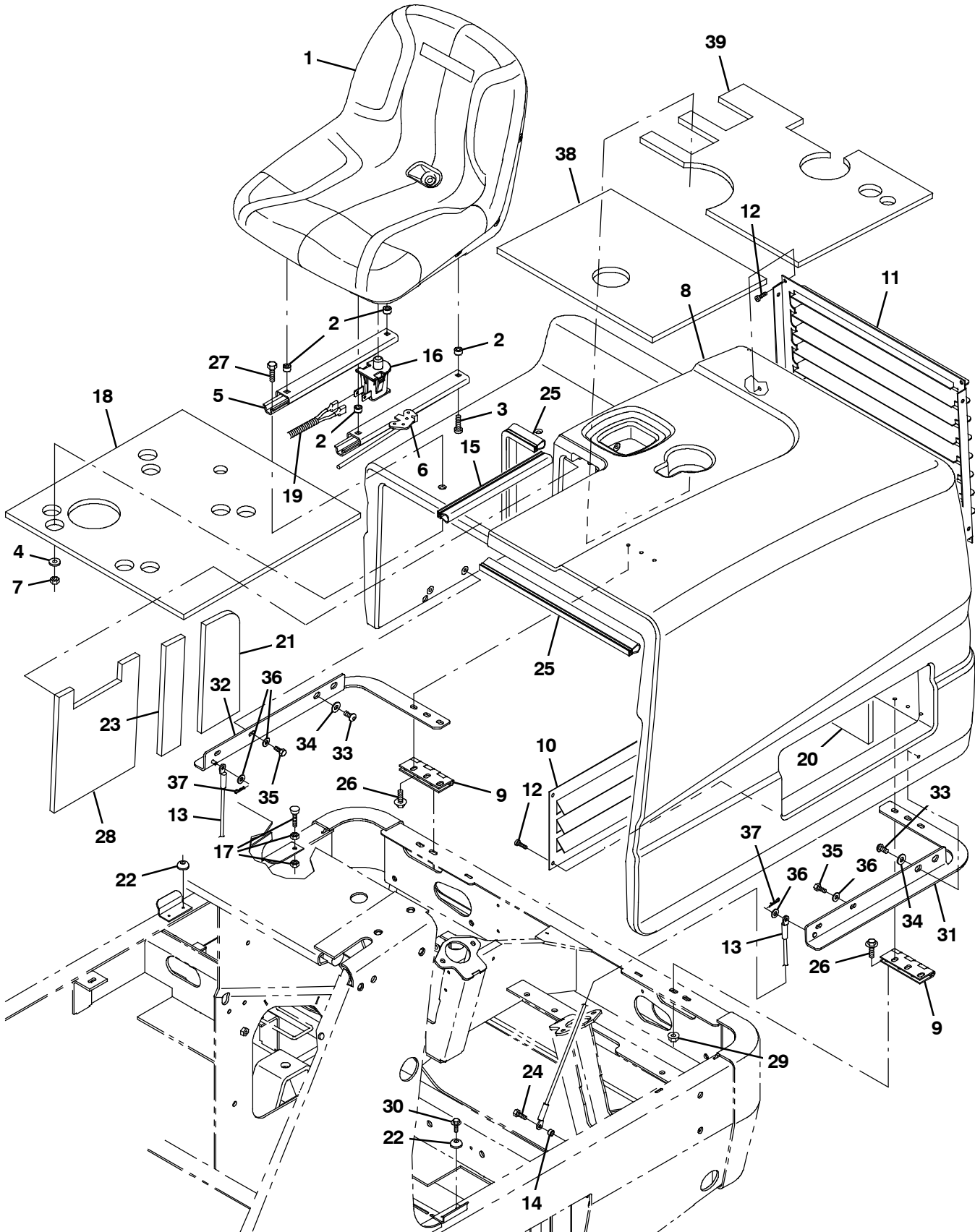


Fig. 5 - Seat and Cover Group (003441-)

Ref.	Part No.	Serial Number	Description	Qty.
1	1201894	(003441-) Seat, Std [Milsco]	1
2	360460	(003441-) Sleeve, P/M, 0.34b 0.63d 0.4l, Ss / Oil	4
3	1073048	(003441-) Screw, Pan, Phl, .31- 18 X 1.50, G2	4
4	32491	(003441-) Washer, Flat, 0.31, Std	4
5	1047447	(003441-) Track, Slide, Seat Adj, 12.5l	1
6	1048198	(003441-) Track, Slide, Seat Adj, 12.5l, W/ Latch	1
7	08709	(003441-) Nut, Hex, Lock, M8 X 1.25, NI	4
8	1064956	(003441-) Shroud, Rear [S20]	1
9	360704	(003441-) Hinge, .25pin .12 3.0w 04.5l, 6/0.38sl	2
10	1049988	(003441-) Panel, Louver	1
11	1049987	(003441-) Panel, Louver	1
12	360973	(003441-) Screw, Pan, 12- 16 X 0.50, F/ Plstc	8
13	1056045	(003441-) Cable, Glv .13d 024.2l .25eye /.25eye	2
14	222516	(003441-) Sleeve, P/M, 0.32b 0.50d 0.3l [430ss]	2
15	1050785	(003441-) Seal, Afrmkt, Bulb, 90, 1.33 01ft	1
16	1048955	(003441-) Switch, Seat, No [Delta 6440- 04]	1
17	75128	(003441-) Spindle, Adjustment	1
18	361345	(003441-) Insulation, Acstc, 0.5, 21.4 X 20.6 C- O	1
19	1072210	(003441-) Harness, Wire, Seat [S20]	1
20	361344	(003441-) Insulation, Acstc, 0.5, 31.6 X 14.1 Ntch	1
21	1068103	(003441-) Insulation, Acstc, 0.5, 4.5 X 11.0 Ntch	1
23	1068104	(003441-) Insulation, Acstc, 0.5, 2.3 X 11.1 Ntch	1
22	361554	(003441-) Bumper, Rbr, 0.90d 0.38th 0.18h	2
24	11329	(003441-) Screw, Hex, M6 X 1.00 X 16, NI, Ss	2
25	10576	(003441-) Seal, Bulb, 90, 0.50d .06- .09grip 022.5l	1
26	1037346	(003441-) Screw, Hex, M8 X 1.25 X 25, 9.8, Sems	8
27	06955	(003441-) Screw, Hex, M8 X 1.25 X 35, 8.8	4
28	1068105	(003441-) Insulation, Acstc, 0.5, 9.2 X 11.8 Ntch	1
29	07791	(003441-) Nut, Hex, Flng, M8 X 1.25	4
30	223198	(003441-) Screw, Hex, M5 X 0.80 X 10, Fmg	2
31	1058717	(003441-) Plate Wldt, Lh	1
32	1058722	(003441-) Plate Wldt, Rh	1
33	17284	(003441-) Screw, Btn, M8 X 1.25 X 16, Ss	4
34	32491	(003441-) Washer, Flat, 0.31, Std	4
35	11329	(003441-) Screw, Hex, M6 X 1.00 X 16, NI, Ss	6
36	32490	(003441-) Washer, Flat, 0.25, Std	2
37	08085	(003441-) Pin, Cotter, Hair, 0.31d .058 Wir	2
38	1068101	(003441-) Insulation, Acstc, 0.5, 13.0 X 17.8 Ntch	1
39	1068102	(003441-) Insulation, Acstc, 0.5, 15.4 X 20.5 Ntch	1

Fig. 7 - Rear Cover Latch Group (000000-002464)

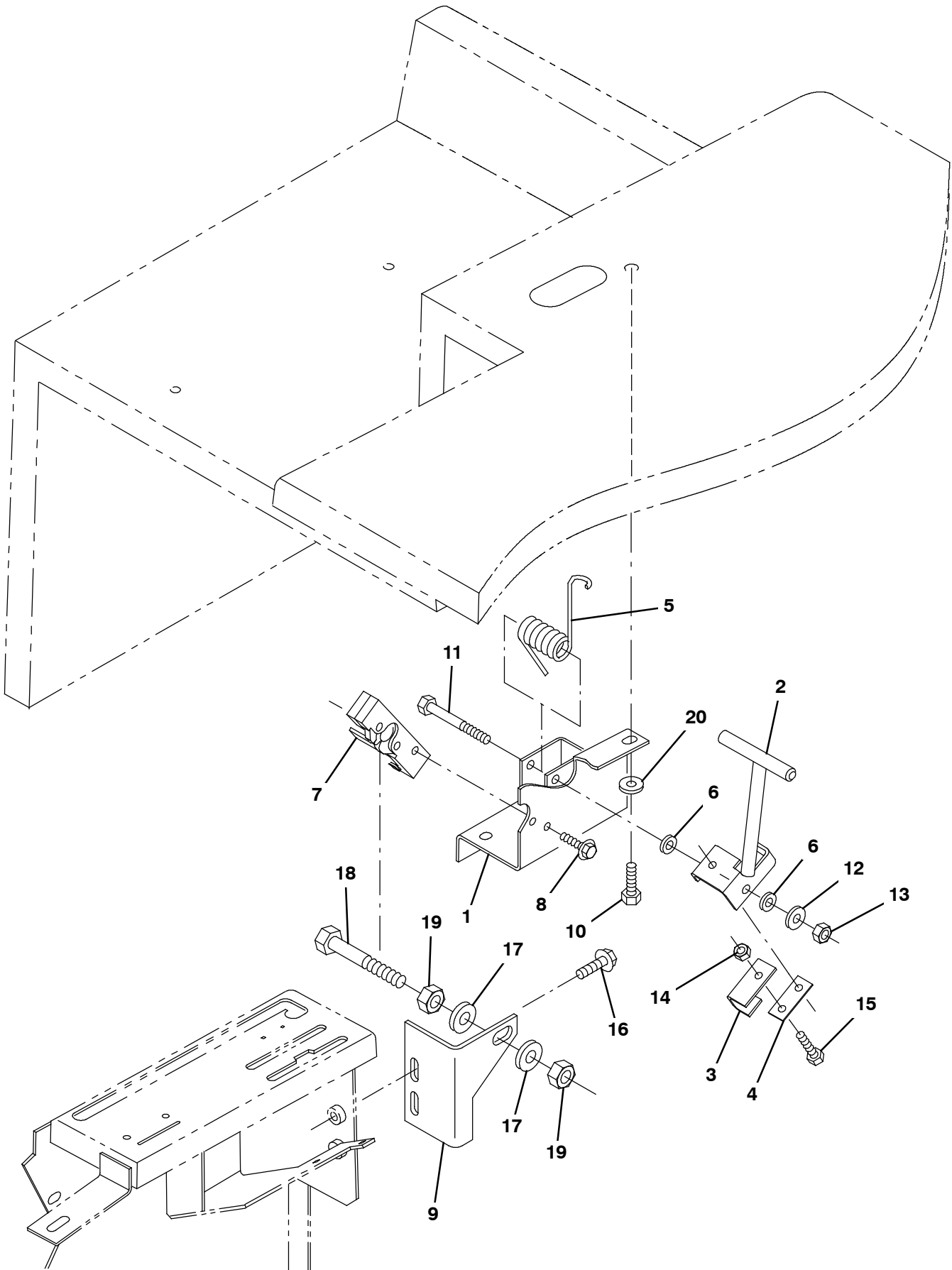


Fig. 7 - Rear Cover Latch Group (000000-002464)

Ref.	Part No.	Serial Number	Description	Qty.
1	1052805	(000000-002464)	Bracket Wldt, Latch	1
2	1052817	(000000-002464)	Handle Wldt, Latch, Shrd	1
3	1052804	(000000-002464)	Channel, Latch	1
4	361165	(000000-002464)	Spring, Flat, .06, 0.75w X 01.8l, 2/.28h	1
5	87581	(000000-002464)	Spring, Tors, 0.81id .12wir 08.0coil	1
6	43454	(000000-002464)	Washer, Flat, 0.34b 0.69d .06, Nyl	2
7	72439	(000000-002464)	Latch	1
8	16949	(000000-002464)	Screw, Hex, .25- 20 X 0.75, Sems	2
9	1052803	(000000-002464)	Bracket, Angle, Mtg, Pin, Latch	1
10	15675	(000000-002464)	Screw, Hex, M8 X 1.25 X 16, Ss	4
11	76960	(000000-002464)	Screw, Hex, .31- 18 X 2.25, G5	1
12	32491	(000000-002464)	Washer, Flat, 0.31, Std	1
13	32983	(000000-002464)	Nut, Hex, Lock, .31- 18, NI	1
14	08708	(000000-002464)	Nut, Hex, Lock, M6 X 1.00, NI	2
15	87308	(000000-002464)	Screw, Hex, M6 X 1.00 X 12, 8.8	2
16	1037346	(000000-002464)	Screw, Hex, M8 X 1.25 X 25, 9.8, Sems	2
17	32486	(000000-002464)	Washer Flat, 0.50, Sae	2
18	27985	(000000-002464)	Screw, Hex, .50- 13 X 2.50, G5	1
19	32523	(000000-002464)	Nut, Hex, Jam, .50- 13	2
20	32491	(000000-002464)	Washer, Flat, 0.31, Std	4

Fig. 8 - Rear Cover Latch Group (002465-)

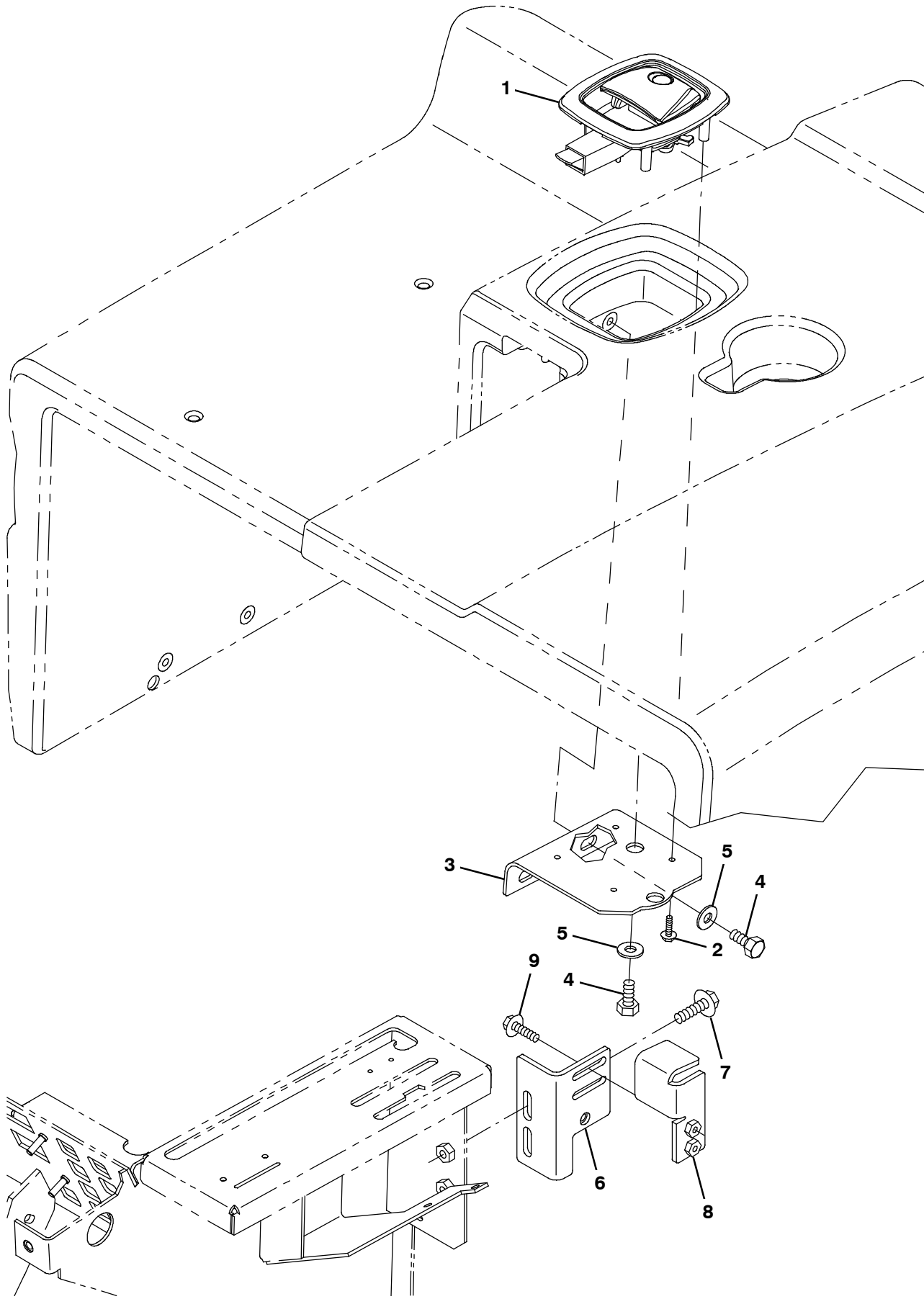


Fig. 8 - Rear Cover Latch Group (002465-)

Ref.	Part No.	Serial Number	Description	Qty.
1	1068098	(002565-) Latch, Paddle, Rwk	1
2	71026	(002565-) Screw, Hex, M4 X 0.70 X 20, Fmg	1
3	1066146	(002565-) Plate, Mtg, Latch	1
4	15675	(002565-) Screw, Hex, M8 X 1.25 X 16, Ss	1
5	32491	(002565-) Washer, Flat, 0.31, Std	1
6	1065829	(002565-) Bracket, Latch, Mtg, Strike	2
7	1037346	(002565-) Screw, Hex, M8 X 1.25 X 25, 9.8, Sems	1
8	1066138	(002565-) Bracket, Adj, Strike	2
9	1036892	(002565-) Screw, Hex, M6 X 1.00 X 25, 9.8, Sems	1

Fig. 9 - Operator Station Group

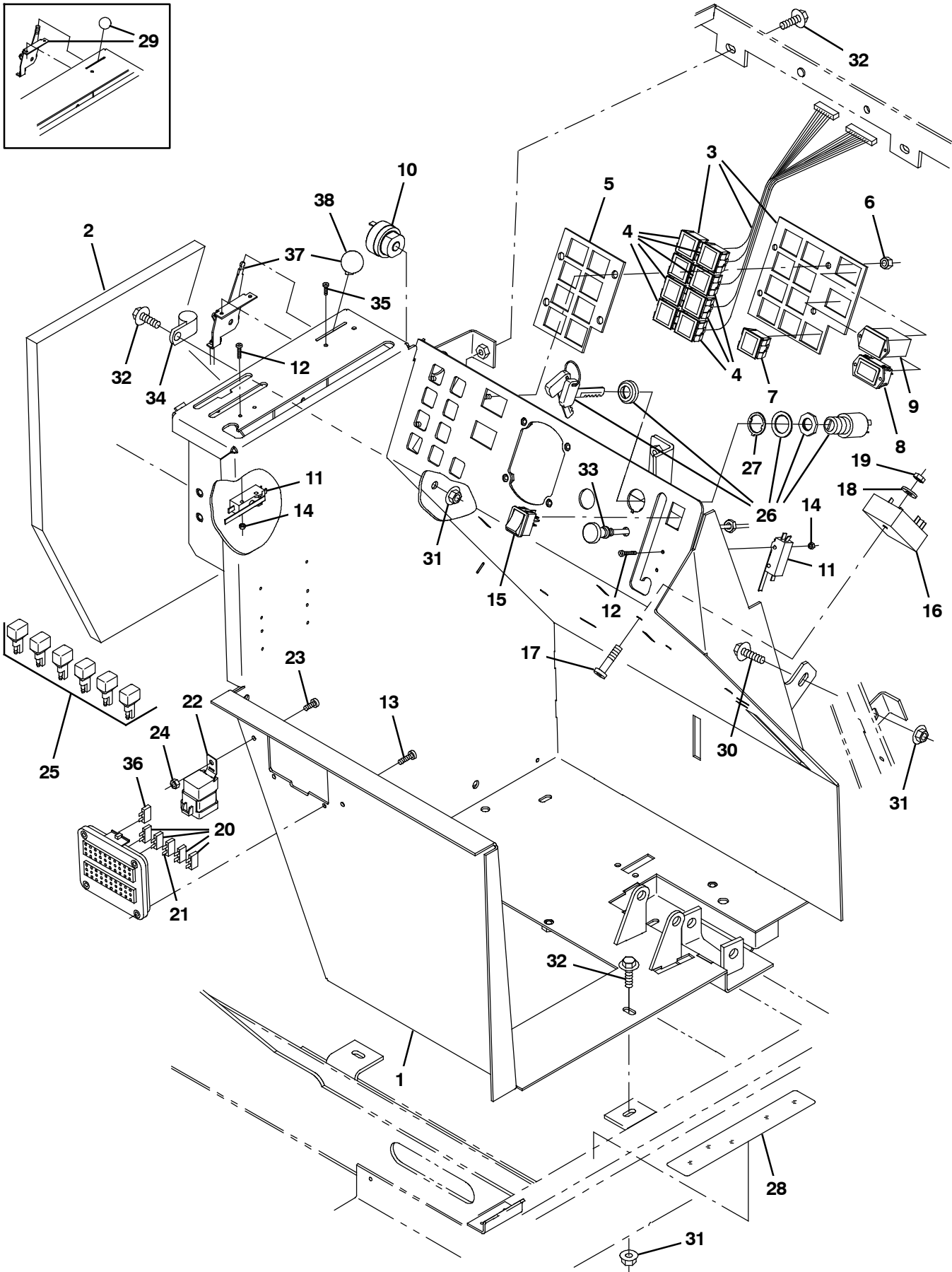


Fig. 9 - Operator Station Group

Ref.	Part No.	Serial Number	Description	Qty.	
1	9006903	(000000-) Oprtr Station, W/ Label,[S20] Na	1	
1	9006905	(000000-) Oprtr Station, W/ Label,[S20] Jp	1	
2	1050888	(000000-) Insulation, Acstc, 0.8, 19.9 X 18.0 Cham	1	
▽	3	1051124	(000000-) Panel Assy, Indicator Lights, Ic	1
▲	4	361075	(000000-) Light, Panl, 14vdc, 1.1 X 1.0	8
5	1045211	(000000-) Seal, Rbr, Clsd, 0.38, Instmt Panl	1	
6	08708	(000000-) Nut, Hex, Lock, M6 X 1.00, NI	4	
7	361075	(000000-) Light, Panl, 14vdc, 1.1 X 1.0	1	
8	1068904	(000000-) Gauge, Hourmeter, 05- 277vdc/Vac, 2- Hole	1	
9	1045923	(000000-) Gauge, Fuel	1	
10	386346	(000000-) Alarm, Audio, 10- 48vdc [Mallory]	1	
11	1008142	(000000-) Switch, Snap, 25a Spdt	2	
12	1054872	(000000-) Screw, Pan, Phl, M3 X 0.5 X 25, Blk	4	
13	39239	(000000-) Screw, Pan, Phl, 10- 32 X 0.50, G2, Blk	2	
14	01754	(000000-) Nut, Hex, Std, M3 X 0.50, 8	4	
15	1048456	(000000-) Switch, Rocker, 3 Position	1	
16	1052435	(000000-) Timer, 12vdc, 10a, 2s [Ce Seat Switch]	1	
17	32747	(000000-) Screw, Pan, Phl, M6 X 1.00 X 40, Ss	1	
18	01684	(000000-) Washer, Flat, 0.27b 0.69d .05, Ss	1	
19	41359	(000000-) Nut, Hex, Std, M6 X 1.00, 8	1	
20	1030985	(000000-) Fuse, Blade, 015a, 32vdc [Mini]	4	
21	1049735	(000000-) Fuse, Blade, 020a, 32vdc [Mini]	1	
22	56186	(000000-) Relay, 12vdc, 040a, Spdt No	1	
23	1054875	(000000-) Screw, Hex, M5 X 1.0 X 16, Blk	1	
24	06549	(000000-) Nut, Hex, Lock, M5 X 0.80, NI	1	
25	222290	(000000-) Diode, Ele, Plug	6	
▽	26	361076	(000000-) Switch, Ignition [Merit Gmbh]	1
▲	361144	(000000-) Key, Ignition, Sgl	1	
27	360969	(000000-) Washer, Lock, Spcl	1	
28	86798	(000000-) Tread, Non- Skid, 01.4w 12.0l	1	
29	360465	(000000- 004632)) Cable, Cntrl, 46.3l, W/ Handle	1	
30	1037354	(000000-) Screw, Hex, M8 X 1.25 X 30, 9.8, Sems	1	
31	07791	(000000-) Nut, Hex, Flng, M8 X 1.25	5	
32	1037346	(000000-) Screw, Hex, M8 X 1.25 X 25, 9.8, Sems	6	
33	47313A	(000000- 002099)) Cable, Cntrl, Choke, 67.1l, Knob	1	
33	1067645	(002100-) Cable, Cntrl, Choke, 67.1l, Knob	1	
34	58366	(000000-) Clamp, Cable, Stl, 1.25d X 1.00w, 1hole	1	
35	1054874	(000000-) Screw, Pan, Phl, 10- 16 X .75, Blk	2	
36	1030985	(000000-) Fuse, Blade, 015a, 32vdc [Mini]	1	
37	1074099	(004633-) Cable, Cntrl, 46.3l, W/ Handle	1	
38	1074066	(004633-) Knob, Cable Lever, Throttle	1	

Fig. 10 - Steering Wheel Group

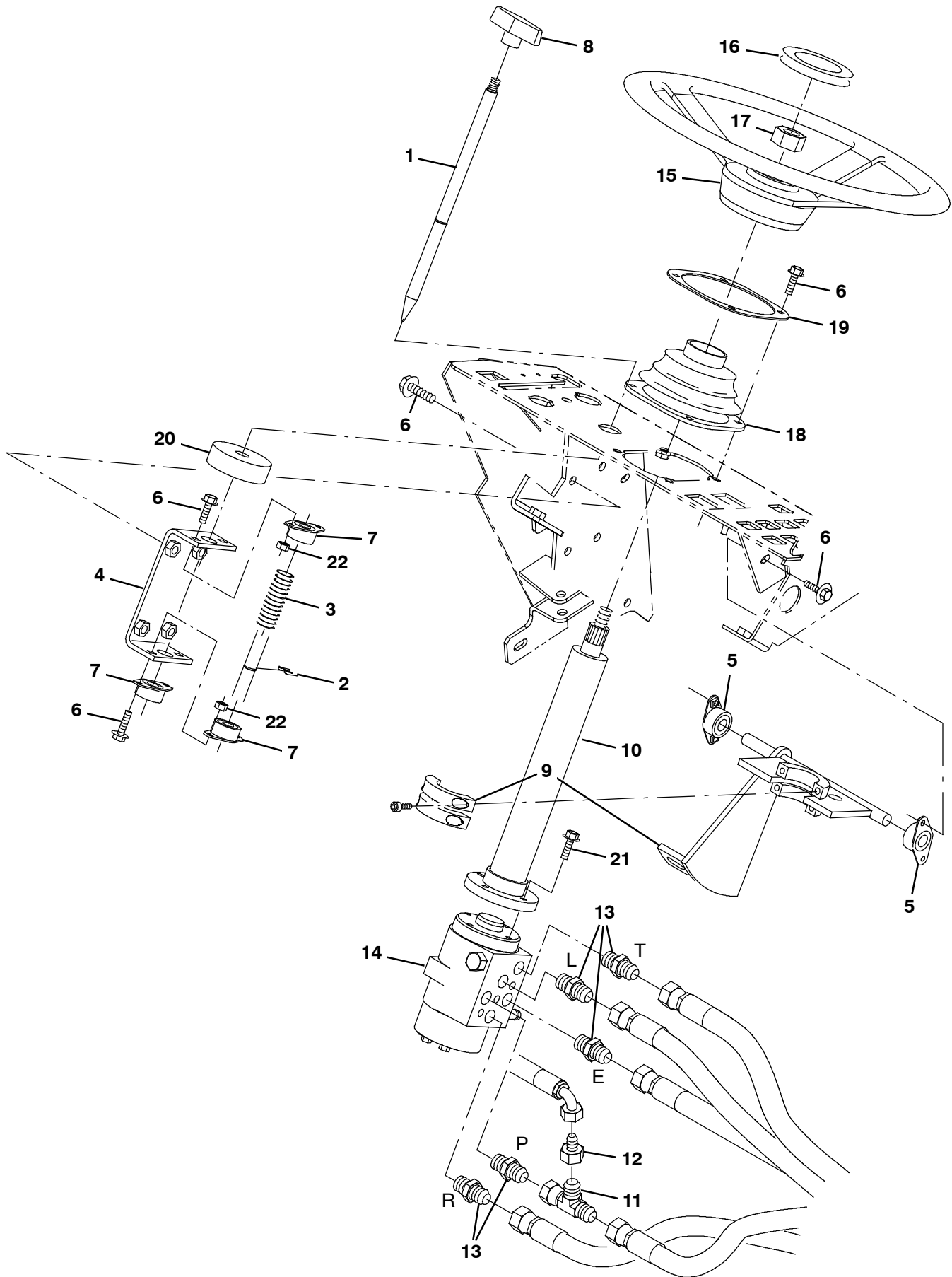


Fig. 10 - Steering Wheel Group

Ref.	Part No.	Serial Number	Description	Qty.
1	360711	(000000-) Rod, Latch, Tilt, Steering	1
2	70717	(000000-) Ring, Retaining, Ext, 0.50d, Hd	1
3	22290	(000000-) Spring, Cmpr, 0.72od .06wir 02.3l	1
4	1045222	(000000-) Channel, Mtg, Steering Latch	1
5	70709	(000000-) Bearing, Flng, 2hole, 0.50b	2
6	1036892	(000000-) Screw, Hex, M6 X 1.00 X 25, 9.8 Sems	16
7	47585	(000000-) Bearing, Flng, 2hole, 0.50b [Nyl]	3
8	04706	(000000-) Knob, Tee, 0.38- 16, 2.5 X 1.0 1.1l,Plstc	1
9	1051510	(000000-) Bracket Wldt, Steering, Tilt	1
10	1048351	(000000-) Column, Steering, 09.9l 0.86d 36tooth	1
11	42215	(000000- 002999) Fitting, Hyd, Tee, Jf06/Jm06/Jm06, Run	1
11	762435	(003000-) Fitting, Hyd, Tee, Ff06/Fm06/Fm06, Run	1
12	47752	(000000- 002999) Fitting, Hyd, Str, Jf06/Jm04	1
12	767428	(003000-) Fitting, Hyd, Str, Ff06/Fm04	1
13	56690	(000000- 002999) Fitting, Hyd, Str, Jm06/Om06	5
13	762433	(003000-) Fitting, Hyd, Str, Fm06/Om06	5
14	1045822	(000000-) Steer- Control, Hyd05, 06.1 914 (See Breakdowns)	1
15	1058996	(000000-) Wheel, Steering, 14.0D 0.81B 36Tooth	1
16	1024478	(000000-) Button, Cntrl, Horn	1
17	56185	(000000-) Nut, Hex, Jam, M20 X 1.5	1
18	70622	(000000-) Boot, Bellows, 3.1l 4.4w 2.8h 1hole, Neo	1
19	360867	(000000-) Plate, Mtg	1
20	75968	(000000-) Insulation, Acstc, Rnd, 0.8, 02.5d 0.5h	1
21	06960	(000000-) Screw, Hex, M10 X 1.50 X 16, 8.8	4
22	08708	(000000-) Nut, Hex, Lock, M6 X 1.00, NI	4

Fig. 11 - Engine and Mount Group

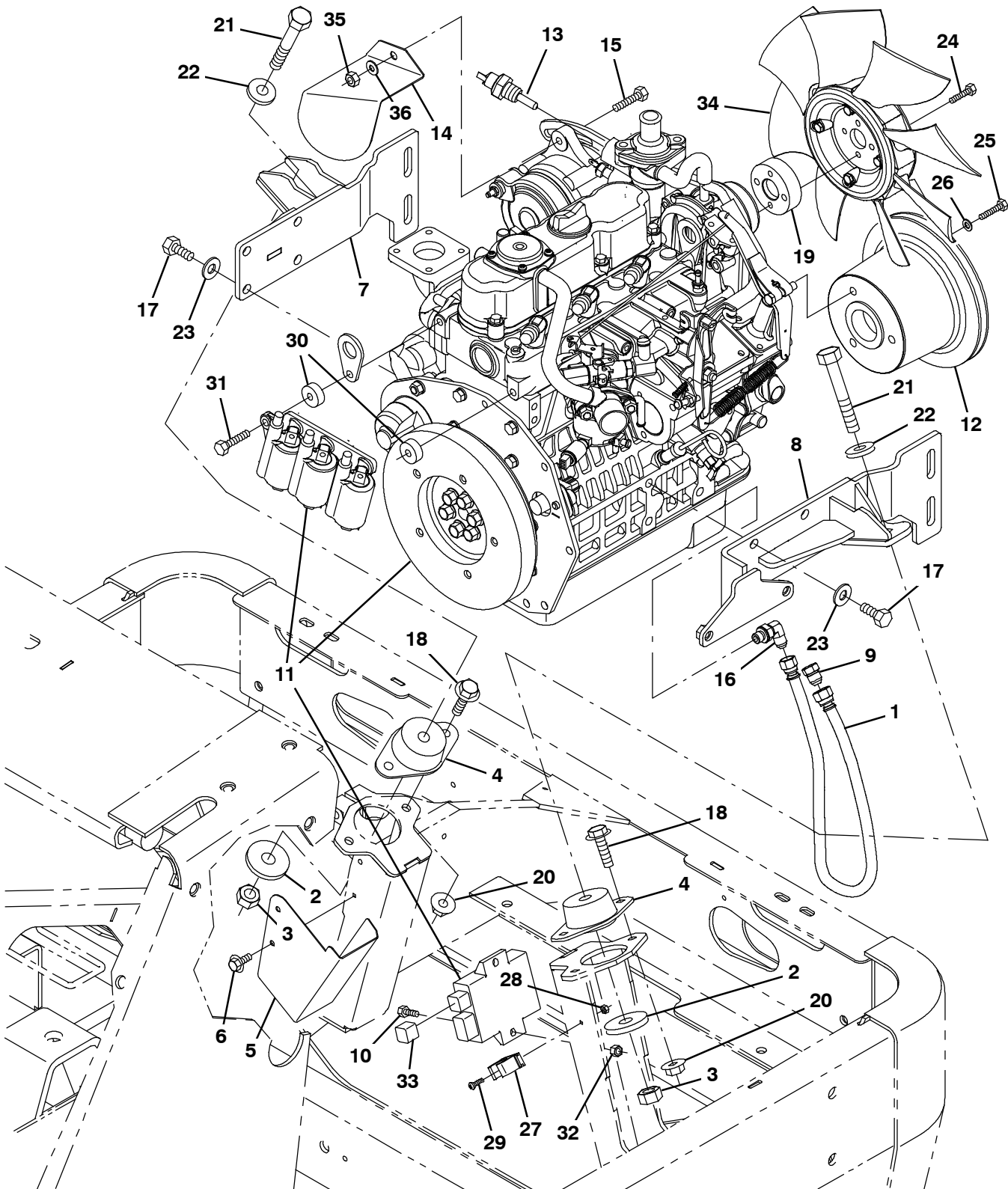


Fig. 11 - Engine and Mount Group

Ref.	Part No.	Serial Number	Description	Qty.
1	1053967	(000000-) Hose, Hyd, Low06, Jf05str/Jf06str, 023.0	1
2	51564	(000000-) Washer, Flat, 0.53b 1.75d .12, Stl, Pl	2
3	08711	(000000-) Nut, Hex, Lock, M12 X 1.75, NI	2
4	360721	(000000-) Isolator, Vib, Flng, 1.3l .5b 2/.39h	2
5	1046055	(000000-) Shield, Fltr, Oil	1
6	74455	(000000-) Screw, Hex, M6 X 1.00 X 12, Fmg	2
7	1045975	(000000-) Plate Wldt, Mtg, Eng, Rh, Gas	1
8	1063558	(000000-) Plate Wldt, Mtg, Eng, Lh [Df972 2011]	1
9	19747	(000000-) Fitting, Hyd, Plug, Jm06	1
10	06943	(000000-) Screw, Hex, M6 X 1.00 X 20, 8.8	2
11	1045001	(000000- 002099) Engine, Gas [Kubota Df972 2007] (See Engine Breakdown)	1
11	1062463	(002100-) Engine, Gas [Kubota Wg972 2011] (See Engine Breakdown)	1
11	1074442	(002100-) Engine, Gas [Ku Wg972 California Only]	1
11	1048804	(000000- 002099) Engine, Lpg [Kubota Df972] (See Engine Breakdown)	1
11	1062464	(002100-) Engine, Lpg [Kubota Wg972 2011] (See Engine Breakdown)	1
11	1074443	(002100-) Engine, Lpg [Ku Wg972 California Only]	1
12	1048468	(000000-) Sheave, Drive, Gas/Lpg [S20]	1
13	1050757	(000000-) Switch, Thermostat, Water	1
14	1048845	(000000-) Panel, Shield, Heat, Alternator	1
15	04375	(000000-) Screw, Hex, M8 X 1.25 X 40, 8.8, Fl	1
16	1050331	(000000-) Fitting, Hyd, E90, Metric, Spcl	1
17	58286	(000000-) Screw, Hex, M10 X 1.25 X 20, 8.8	8
18	1037354	(000000-) Screw, Hex, M8 X 1.25 X 30, 9.8, Sems	4
19	1045676	(000000-) Spacer, Fan [Df972]	1
20	07791	(000000-) Nut, Hex, Flng, M8 X 1.25	4
21	06972	(000000-) Screw, Hex, M12 X 1.75 X 60, 8.8	2
22	32486	(000000-) Washer Flat, 0.50, Sae	2
23	32492	(000000-) Washer, Flat, 0.38, Std	8
24	06945	(000000-) Screw, Hex, M6 X 1.00 X 30, 8.8	4
25	39277	(000000- 002099) Screw, Hex, M8 X 1.25 X 25, 8.8	3
25	06946	(002100-) Screw, Hex, M6 X 1.00 X 30, 8.8	3
26	39349	(000000-) Washer, Flat, 0.31, Sae	3
27	1052067	(000000-) Clip, Grip, Pipe, 0.75, Plstc	1
28	02850	(000000-) Nut, Hex, Lock, M4 X 0.70, NI	1
29	06927	(000000-) Screw, Pan, Phl, M4 X 0.70 X 16, 4.8	1
30	360460	(000000-) Sleeve, P/M, 0.34b 0.63d 0.4l, Ss / Oil	2
31	06955	(000000-) Screw, Hex, M8 X 1.25 X 35, 8.8	2
32	08708	(000000-) Nut, Hex, Lock, M6 X 1.00, NI	2
33	1058391	(000000-) Cap, Dust, Ignition Module	1
34	1038362	(002100-) Fan, Cooling, 11.8d, 8 Blade, 1.6d Bc	1
35	08709	(000000-) Nut, Hex, Lock, M8 X 1.25, NI	1
36	32491	(000000-) Washer, Flat, 0.31, Std	1

Fig. 12 - Engine Flywheel Housing and Mount Group

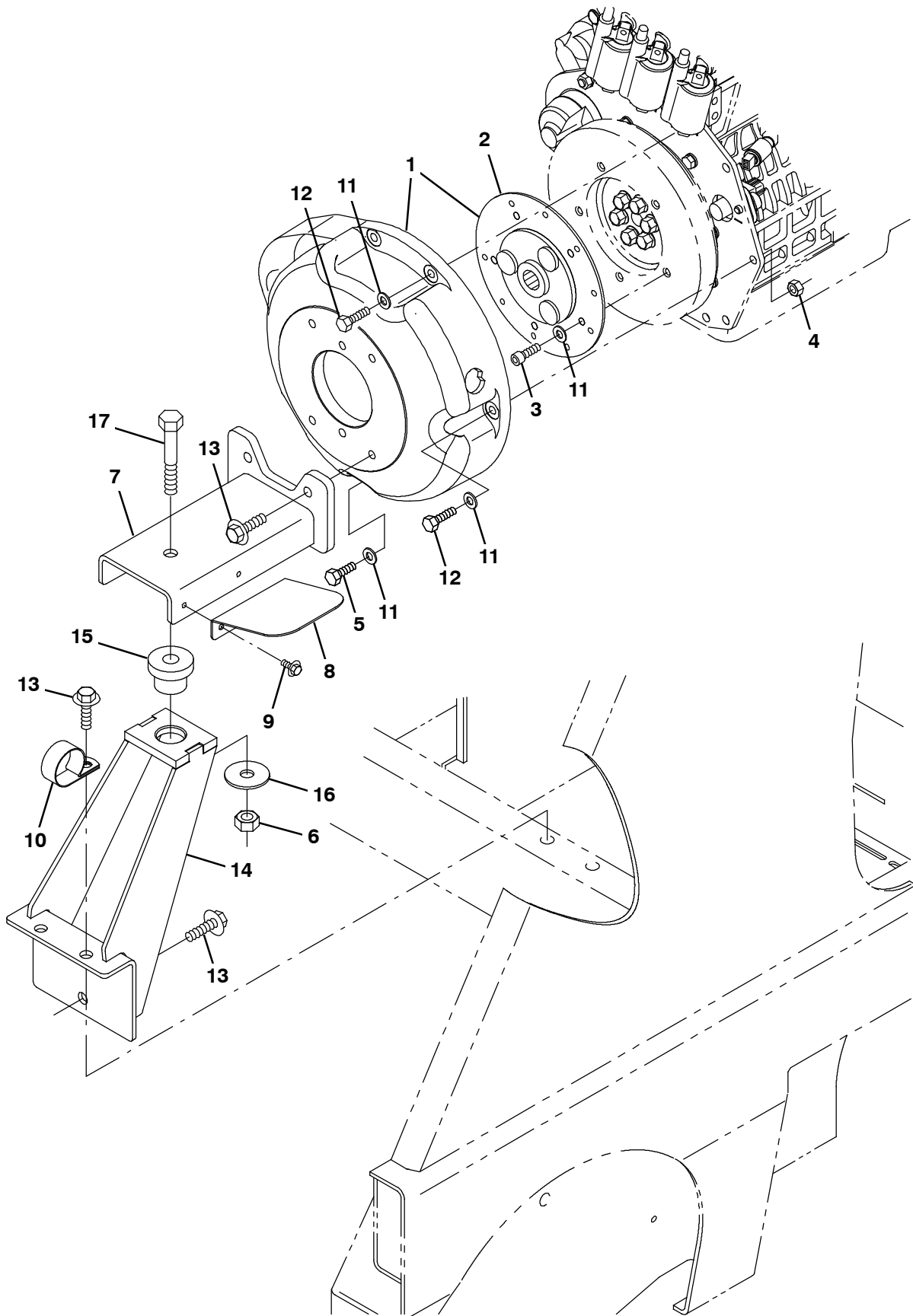


Fig. 12 - Engine Flywheel Housing and Mount Group

	Ref.	Part No.	Serial Number	Description	Qty.
▽	1	1048383	(000000-) Housing Assy, Flywheel [Kubota Df972]	1
▲	2	361118	(000000-) Coupling, Drive, Flex, 06.0d /13tooth	1
	3	39308	(000000-) Screw, Soc, M8 X 1.25 X 25, 12.9	5
	4	41430	(000000-) Nut, Hex, Lock, M10 X 1.5, NI	3
	5	76570	(000000-) Screw, Hex, M8 X 1.25 X 30, 8.8	1
	6	08711	(000000-) Nut, Hex, Lock, M12 X 1.75, NI	1
	7	1045645	(000000-) Bracket Wldt, Mtg, Eng, Rear	1
	8	1048840	(000000-) Shield, Battery	1
	9	74455	(000000-) Screw, Hex, M6 X 1.00 X 12, Fmg	2
	10	86328	(000000-) Clamp, Cable, Stl, 1.50d X 0.75w, 1hole	1
	11	39349	(000000-) Washer, Flat, 0.31, Sae	12
	12	06955	(000000-) Screw, Hex, M8 X 1.25 X 35, 8.8	6
	13	1037358	(000000-) Screw, Hex, M10 X 1.50 X 35, 9.8, Sems	6
	14	1045642	(000000-) Angle Wldt, Mtg, Eng, Front [Df972]	1
	15	51176	(000000-) Isolator, Vib, .50d	1
	16	51564	(000000-) Washer, Flat, 0.53b 1.75d .12, Stl, PI	1
	17	06972	(000000-) Screw, Hex, M12 X 1.75 X 60, 8.8	1

Fig. 13 - Engine Air Cleaner Group

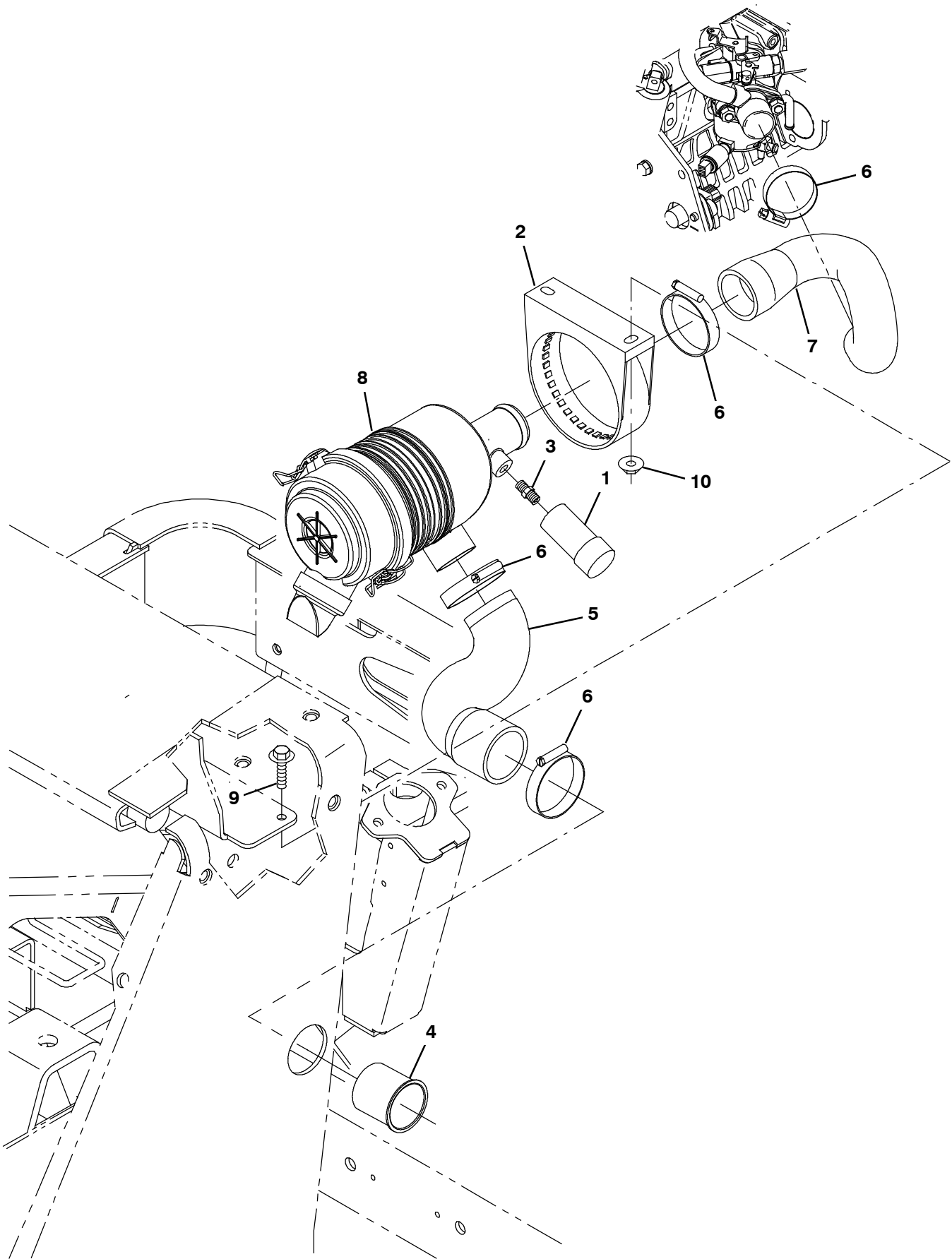


Fig. 13 - Engine Air Cleaner Group

Ref.	Part No.	Serial Number	Description	Qty.	
1	03026	(000000-) Indicator, Service, Fltr, Air [20h20 Dn]	1	
2	382101	(000000-) Bracket, Mtg, Fltr, Air	1	
3	47566	(000000-) Fitting, Hyd, Str, Pm02/Pm02	1	
4	58346	(000000-) Tube, Intake, 2.0d 02.0l, Flng	1	
5	1045524	(000000-) Hose, Intake, Mold, 1.75id 2.00id [Epdm]	1	
6	22297	(000000-) Clamp, Hose, Wormdrive, 1.56-2.50d, .50w	4	
7	1045507	(000000-) Hose, Intake, Air- Clnr	1	
▽	8	1046302	(000000-) Filter Assy, Air	1
▲	382493	(000000-) Element, Fltr, Air	1	
9	1037355	(000000-) Screw, Hex, M8 X 1.25 X 35, 9.8, Sems	2	
10	07791	(000000-) Nut, Hex, Flng, M8 X 1.25	2	

Fig. 14 - Engine Radiator Group

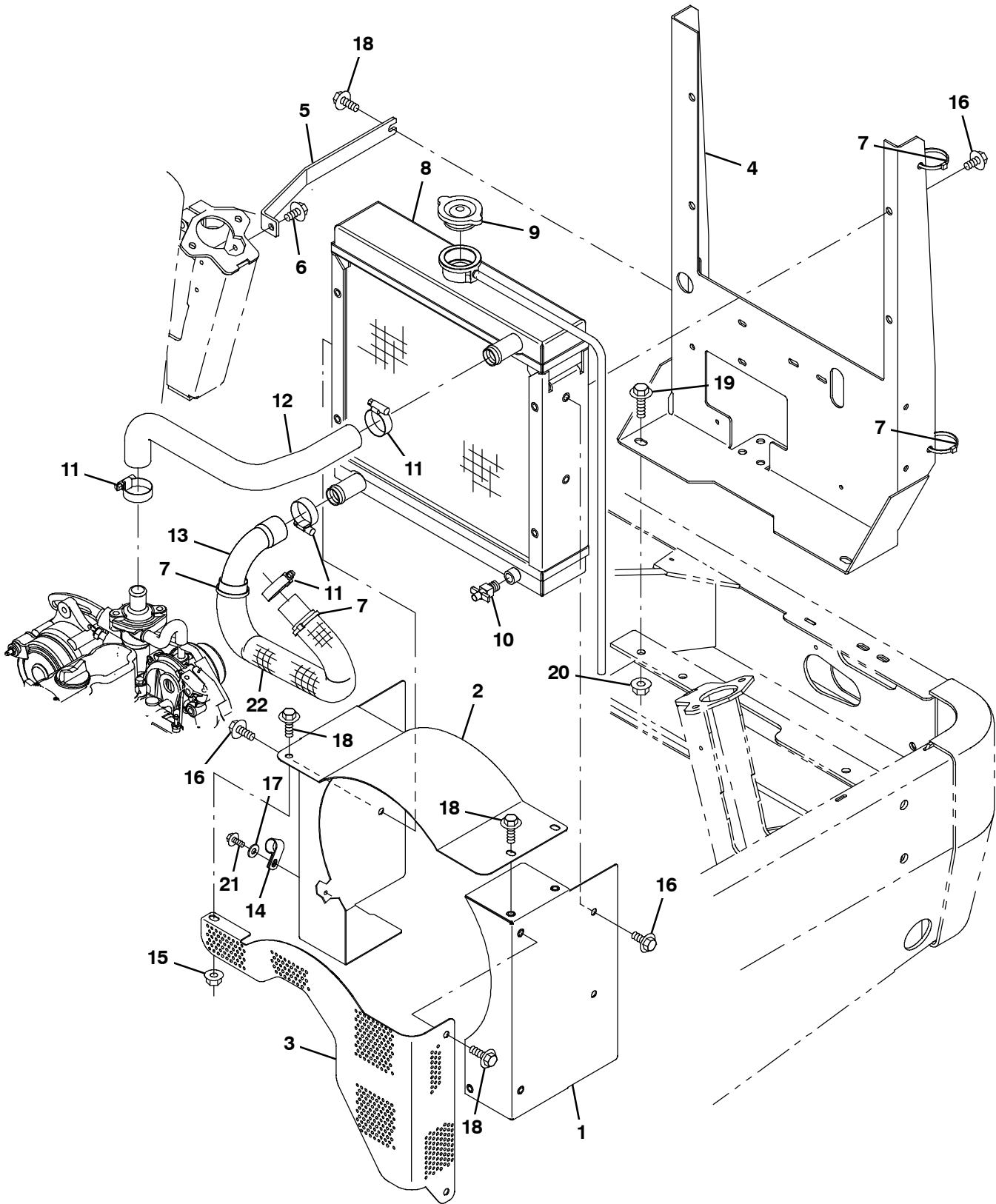


Fig. 14 - Engine Radiator Group

Ref.	Part No.	Serial Number	Description	Qty.
1	9006906	(000000-) Shroud, Fan, Radiator, W/ Label [S20] Na	1
1	9006908	(000000-) Shroud, Fan, Radiator, W/ Label [S20] Jp	1
2	9006897	(000000-) Shroud, Fan, Radiator, W/ Label [S20] Na	1
2	9006899	(000000-) Shroud, Fan, Radiator, W/ Label [S20] Jp	1
3	1054559	(000000-) Guard, Fan, Eng, Perf	1
4	1048489	(000000-) Angle, Mtg, Radiator	1
5	1048501	(000000-) Angle, Brace	1
6	763045	(000000-) Screw, Hex, M8 X 1.25 X 20, Fmg	1
7	49266	(000000-) Tie, Cable, Nyl, 07.3l .19w 1.8 Max D	5
8	1041869	(000000-) Radiator, Alm	1
9	1045764	(000000-) Cap, Radiator, 14psi [Stant]	1
10	54911- 32	(000000-) Fitting, Draincock, .25npt	1
11	11399	(000000-) Clamp, Hose, Wormdrive, 0.81- 1.50d, .50w	4
12	360363	(000000-) Hose, Coolant, Mold, 1.00id To 1.00id	1
13	360368	(000000-) Hose, Coolant, Mold, 0.87id To 1.00id	1
14	67767	(000000-) Clamp, Cable, Stl, 0.69d X 0.62w, 1hole	1
15	07791	(000000-) Nut, Hex, Flng, M8 X 1.25	1
16	1020341	(000000-) Screw, Hex, M8 X 1.25 X 20, Ss, Sems	8
17	32490	(000000-) Washer, Flat, 0.25, Std	1
18	1037346	(000000-) Screw, Hex, M8 X 1.25 X 25, 9.8, Sems	6
19	1037358	(000000-) Screw, Hex, M10 X 1.50 X 35, 9.8, Sems	6
20	07792	(000000-) Nut, Hex, Flng, M10 X 1.50	2
21	361339	(000000-) Screw, Hex, M6 X 1.00 X 16, Fmg	2
22	57224	(000000-) Sleeve, Nyl, 2.38id 16.0l	1

Fig. 15 - Engine Fuel Tank Group, Gas

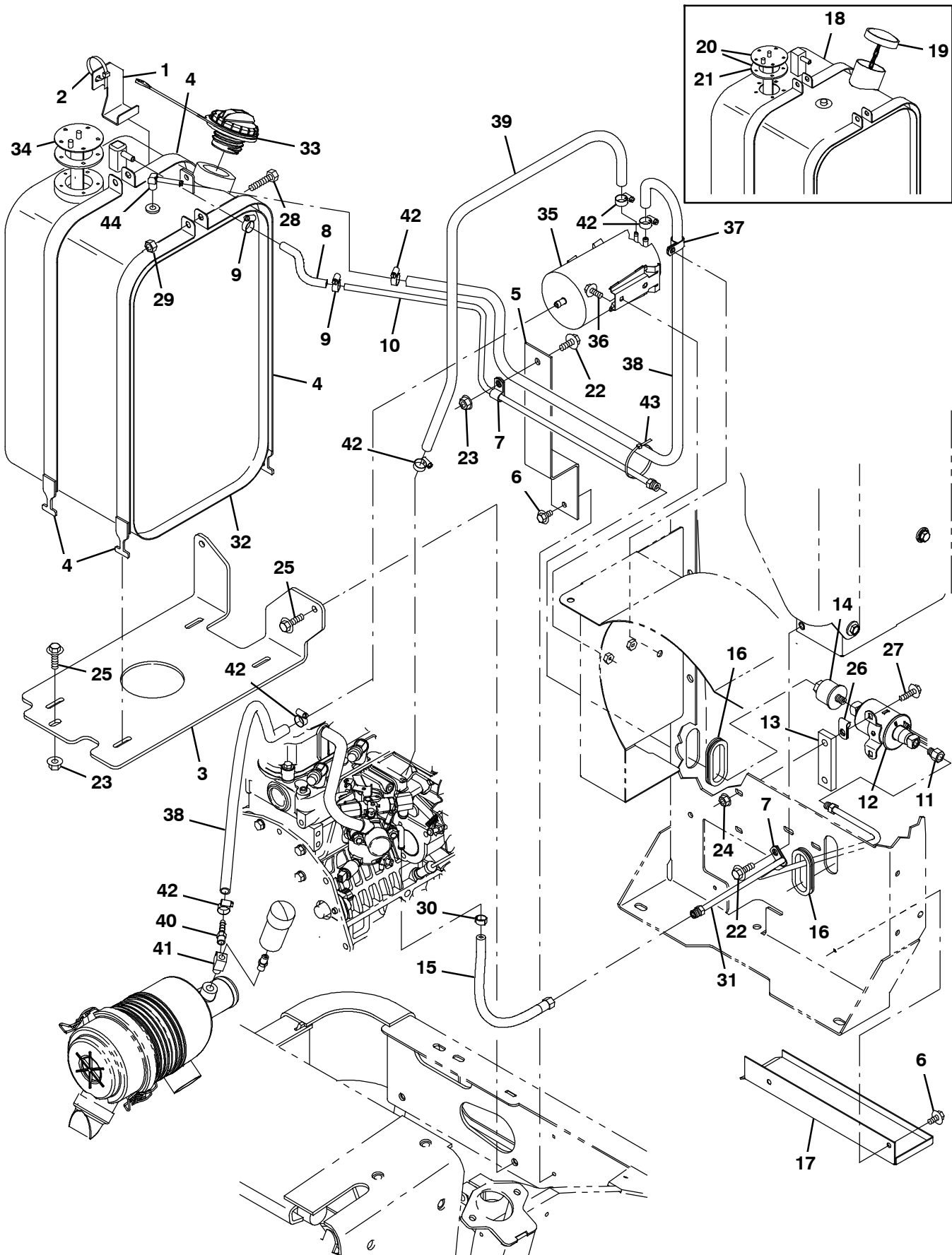


Fig. 15 - Engine Fuel Tank Group, Gas

Ref.	Part No.	Serial Number	Description	Qty.	
1	1052585	(000000-) Bracket, Mtg, Wire	1	
2	49266	(000000-) Tie, Cable, Nyl, 07.3l .19w 1.8 Max D	5	
3	1048787	(000000-) Bracket, Mtg, Tank, Fuel	1	
4	1049580	(000000-) Strap Wldt, Tank	4	
5	1048789	(000000-) Bracket, Sppt, Fuelline	1	
6	74455	(000000-) Screw, Hex, M6 X 1.00 X 12, Fmg	4	
7	40678	(000000-) Clamp, Cable, Stl, 0.44d X 0.62w, 1hole	2	
8	1054730	(000000-) Hose, Fuel, 0.31id [Evap Emission 07]	1	
9	43844	(000000-) Clamp, Hose, Wormdrive, 0.25- 0.62d, .31w	2	
10	360836	(000000-) Fuelline, .31d 05if/ Stl	1	
11	40585	(000000-) Fitting, Brs, Str, lf05/Pm02	1	
12	59015	(000000-) Pump, Fuel	1	
13	364779	(000000-) Bar, Flat, Stl 0.38, 01.00 X 03.3l	1	
14	36050	(000000-) Filter, Fuel, In- Line [02pm/08if]	1	
15	1054735	(000000-) Hose, Fuel, 0.31d, Ftg [Evap Emission]	1	
16	54345	(000000-) Grommet, Rbr, 1.62id, F/1.9h, .13 Matl	2	
17	1048791	(000000-) Channel, Shield, Fuel Drip	1	
▽	18	1055164	(000000- 002099) Tank, Fuel, 07.3gal, 10.53w 18.6hi 11.0l	1	
▲	19	69899	(000000- 002099) Cap, Tank, Fuel, 2.3neck 2.6d W/ Chain	1	
▲▽	20	1047703	(000000- 002099) Send- Unit, 90 Ohm	1	
▲▲	21	14131	(000000- 002099) Gasket, Sender, Fuel, 2.7d 1.5b 5/ 2.1bc	1	
	22	1037346	(000000-) Screw, Hex, M8 X 1.25 X 25, 9.8, Sems	2
	23	07791	(000000-) Nut, Hex, Flng, M8 X 1.25	2
	24	07790	(000000-) Nut, Hex, Flng, M6 X 1.00	2
	25	1037354	(000000-) Screw, Hex, M8 X 1.25 X 30, 9.8, Sems	3
	26	46236	(000000-) Clamp, Cable, Stl, 0.25d X 0.56w, 1hole	1
	27	1037345	(000000-) Screw, Hex, M6 X 1.00 X 30, 9.8, Sems	2
	28	41342	(000000-) Screw, Hex, M8 X 1.25 X 40, 8.8	2
	29	08709	(000000-) Nut, Hex, Lock, M8 X 1.25, NI	2
	30	361552	(000000-) Clamp, Hose, Stl, 0.56d X 0.25w	1
	31	1048894	(000000-) Fuelline, .31d 05if/05if, Stl	1
▽	32	1058574	(002100-) Tank, Fuel, 06.9gal, 10.53w 18.6hi 10.0l	1
▲	33	1032812	(002100-) Cap, Fuel, Tank	1
▲	34	1067558	(002100-) Send- Unit, Fuel, 90 Ohm	1
	35	1058594	(002100-) Filter, Carbon, Canister	1
	36	1040467	(002100-) Screw, Hex, M6 X 1.00 X 20, 9.8, Sems	1
	37	378969	(002100-) Clamp, Cable, Stl, 0.56d X 0.38w, 1hole	2
	38	1062788	(002100-) Hose, Fuel, 0.25id [Evap Emission 2010]	1
	39	1062789	(002100-) Hose, Fuel, 0.19id [Evap Emission 2010]	2
	40	150525	(002100-) Fitting, Brs, Str, Bm04/Pm02	1
	41	26426	(002100-) Fitting, Brs, Tee, Pf02/Pf02/Pm02, Run	1
	42	43844	(002100-) Clamp, Hose, Wormdrive, 0.25- 0.62d, .31w	6
	43	49266	(002100-) Tie, Cable, Nyl, 07.3l .19w 1.8 Max D	6
	44	61687	(002100-) Fitting, Brs, E90, Em04/Pm02	1

Fig. 16 - Engine Fuel Tank Group, LPG

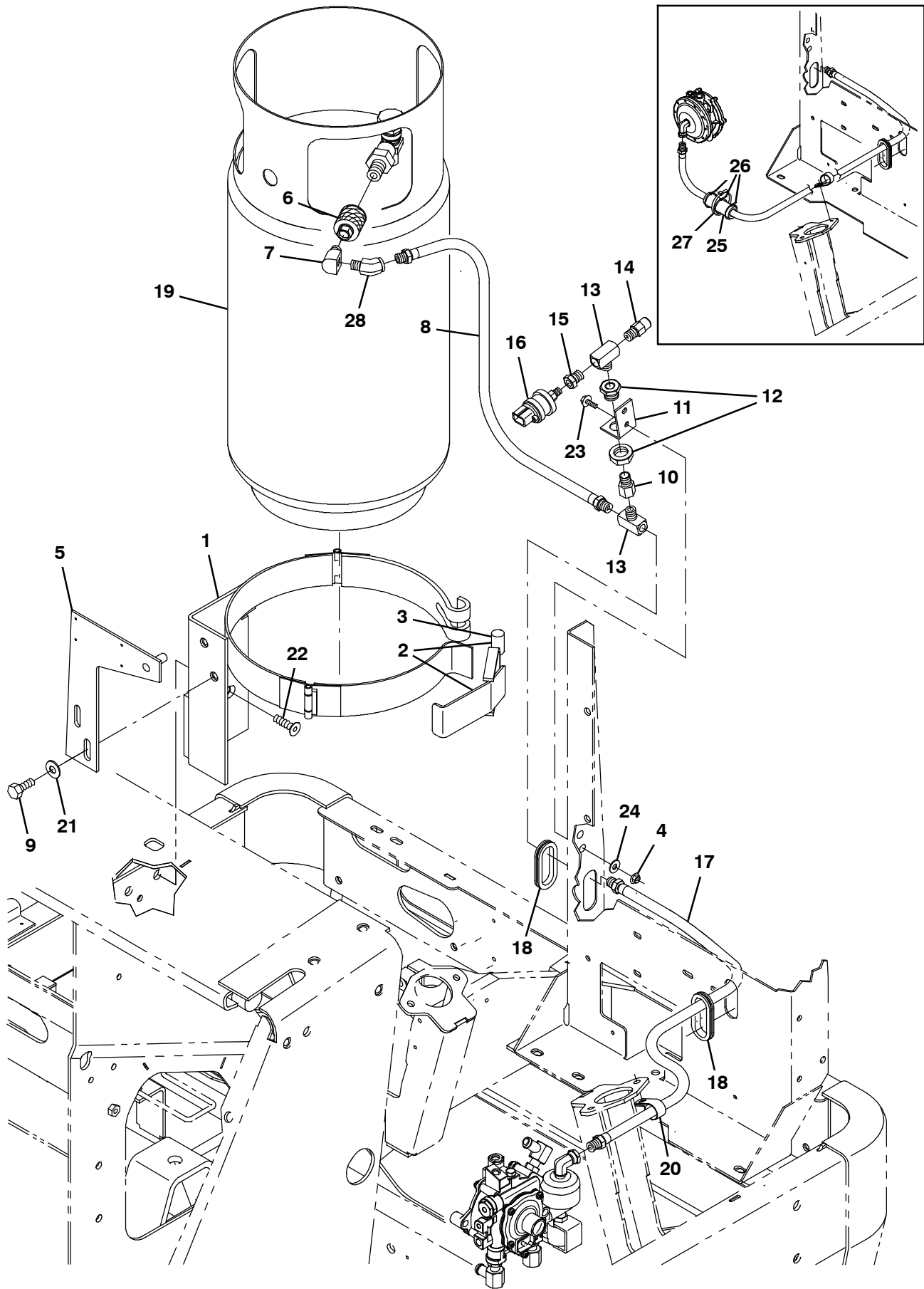


Fig. 16 - Engine Fuel Tank Group, LPG

Ref.	Part No.	Serial Number	Description	Qty.
	1	1048796	(000000-) Bracket Wldt, Mtg, Lpg	1
▽	2	53400- 1	(000000-) Latch Assy, Mtg, Tank, Lpg, W/Nut	1
▲	3	53400- 4	(000000-) Nut, Adj, Mtg, Tank, Lpg	1
	4	07790	(000000-) Nut, Hex, Flng, M6 X 1.00	2
	5	1048794	(000000-) Plate Wldt, Mtg, Lpg	1
	6	26496	(000000-) Fitting, Brs, Qdc, Pf04, Lpg Fem	1
	7	27048	(000000-) Fitting, Brs, E90, Pf04/Pm04	1
	8	10756	(000000-) Hose, Lpg, Med05, Pm04str/Sm04str, 018.0	1
	9	39283	(000000-) Screw, Hex, M10 X 1.50 X 25, 8.8	2
	10	59892	(000000-) Fitting, Brs, Str, Pf04/Pm04	1
	11	1048974	(000000-) Bracket, Angle, Mtg, Relief Valve	1
	12	78122	(000000-) Fitting, Brs, Str, Pf04/Pf04, Bh	1
	13	53268	(000000-) Fitting, Brs, Tee, Pf04/Pf04/Pm04, Br	2
	14	24047	(000000-) Valve, Lpg, Press Relief [Rego]	1
	15	17414	(000000-) Fitting, Hyd, Str, Pf02/Pm04	1
	16	23156	(000000-) Switch, Press, 0070psi Spst Nc 12vdc 08a	1
	17	19760	(000000- 002099) Hose, Lpg, Med05, Pm04str/Sm04str, 055.0	1
	17	22324	(002100-) Hose, Lpg, Med05, Pm04str/Sm04str, 031.0	1
	18	54345	(000000-) Grommet, Rbr, 1.62id, F/1.9h, .13 Matl	2
	19	24928- 1	(000000-) Tank, Lpg, 33lb, W/ Gauge [Empty, Liq]	1
	20	40678- 1	(000000-) Clamp, Cable, Stl, 0.88d X 0.62w, 1hole	1
	21	32492	(000000-) Washer, Flat, 0.38, Std	2
	22	06535	(000000-) Screw, Flt, Soc, M10 X 1.50 X 35, 10.9	2
	23	1040467	(000000-) Screw, Hex, M6 X 1.00 X 20, 9.8, Sems	2
	24	32490	(000000-) Washer, Flat, 0.25, Std	2
	25	762178	(000000- 002099) Sheet, Rbr, 3.00l Guard, Hose	1
	26	49263	(000000- 002099) Tie, Cable, Nyl, 11.4l .19w 3.0 Max D	3
	27	44951	(000000- 002099) Tie, Cable, Nyl, 14.5l .30w 4.0 Max D	1
	28	47720	(000000-) Fitting, Hyd, E45, Pf04/Pm04	1

Fig. 17 - Engine Vaporizer Group, LPG (000000-002099)

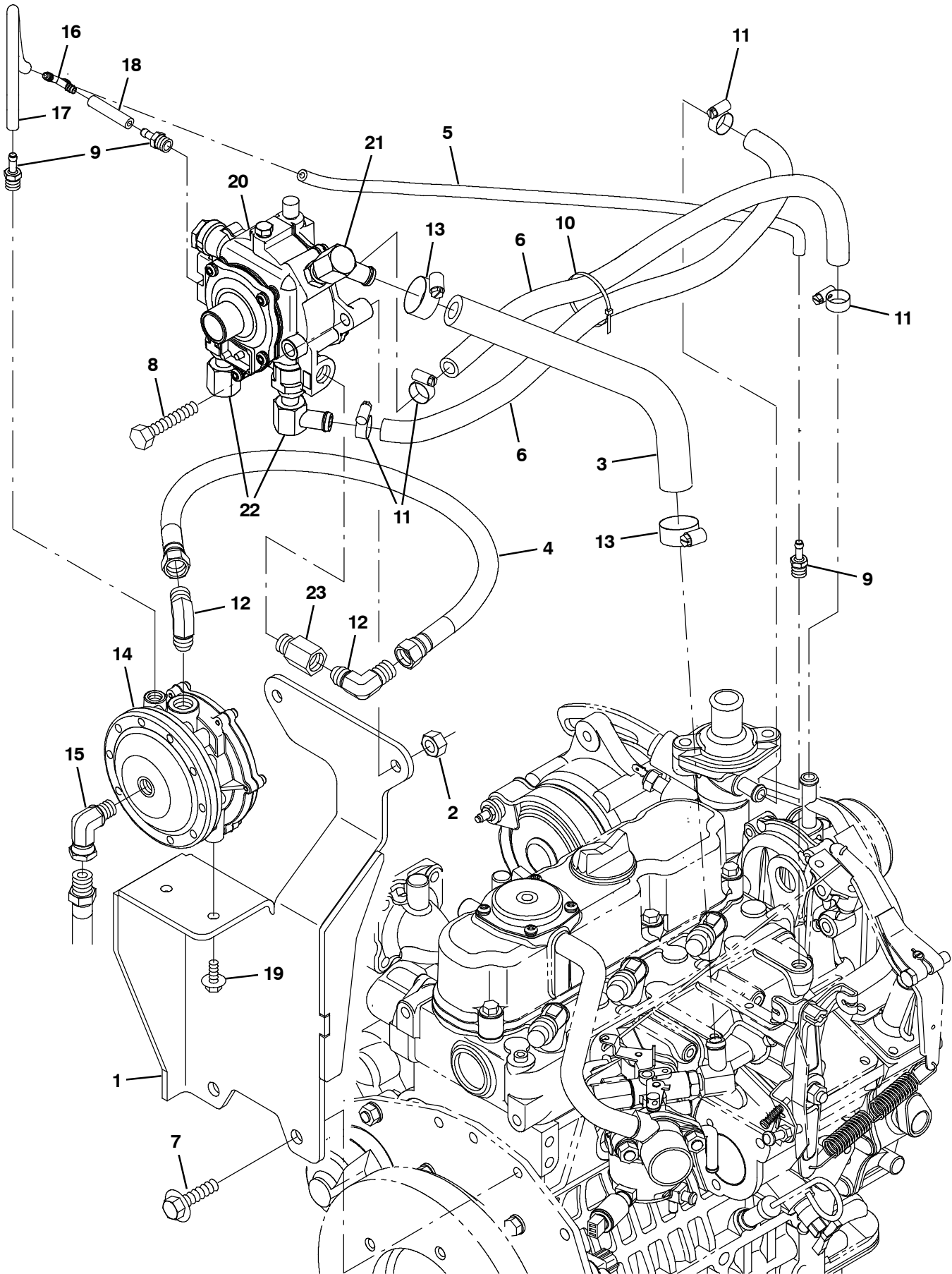


Fig. 17 - Engine Vaporizer Group, LPG (000000-002099)

Ref.	Part No.	Serial Number	Description	Qty.	
1	1048737	(000000-002099)	Bracket Wldt, Sppt, Vaporizer	1	
2	08709	(000000-002099)	Nut, Hex, Lock, M8 X 1.25, NI	2	
3	1053229	(000000-002099)	Hose, Lpg, Low08, None/None, 011.8l	1	
4	56875	(000000-002099)	Hose, Lpg, Med06, Jf06str/Jf06str, 020.0	1	
5	19774	(000000-002099)	Hose, Vacuum, 0.16id X 015.6l	1	
6	34878	(000000-002099)	Hose, Rbr, 0.38id 0.62od 16.0l	2	
7	1037358	(000000-002099)	Screw, Hex, M10 X 1.50 X 35, 9.8, Sems	2	
8	72040	(000000-002099)	Screw, Hex, M8 X 1.25 X 45, 10.9	2	
9	40607	(000000-002099)	Fitting, Brs, Str, Bm03/Pm02	3	
10	49266	(000000-002099)	Tie, Cable, Nyl, 07.3l .19w 1.8 Max D	2	
11	43844	(000000-002099)	Clamp, Hose, Wormdrive, 0.25- 0.62d, .31w	4	
12	52424	(000000-002099)	Fitting, Hyd, E90, Jm06/Pm04	2	
13	63810	(000000-002099)	Clamp, Hose, Wormdrive, 0.56- 1.06d, .56w	2	
▽	14	73020	(000000-002099)	Filter, Fuelock	1
▲	65527	(000000-002099)	Fuelock Kit, Replmt	1	
15	11442- 1	(000000-002099)	Fitting, Hyd, E90, Spcl	1	
16	59886	(000000-002099)	Fitting, Plstc, Tee, Bm03/Bm03/Bm03	1	
17	57578	(000000-002099)	Hose, Vacuum, 0.16id X 008.0l	1	
18	17164	(000000-002099)	Hose, Vacuum, 0.16id X 001.6l	1	
19	16949	(000000-002099)	Screw, Hex, .25- 20 X 0.75, Sems	2	
▽	20	9006484	(000000-002099)	Vaporizer Assy [Ku]	1
▲	21	9006485	(000000-002099)	Fitting, Vaporizer [Ku]	1
▲	22	9006486	(000000-002099)	Fitting, Vaporizer [Ku]	2
	23	366057	(000000-002099)	Fitting, Hyd, Str, Spcl	1

Fig. 18 - Engine Vaporizer Group, LPG (002100-)

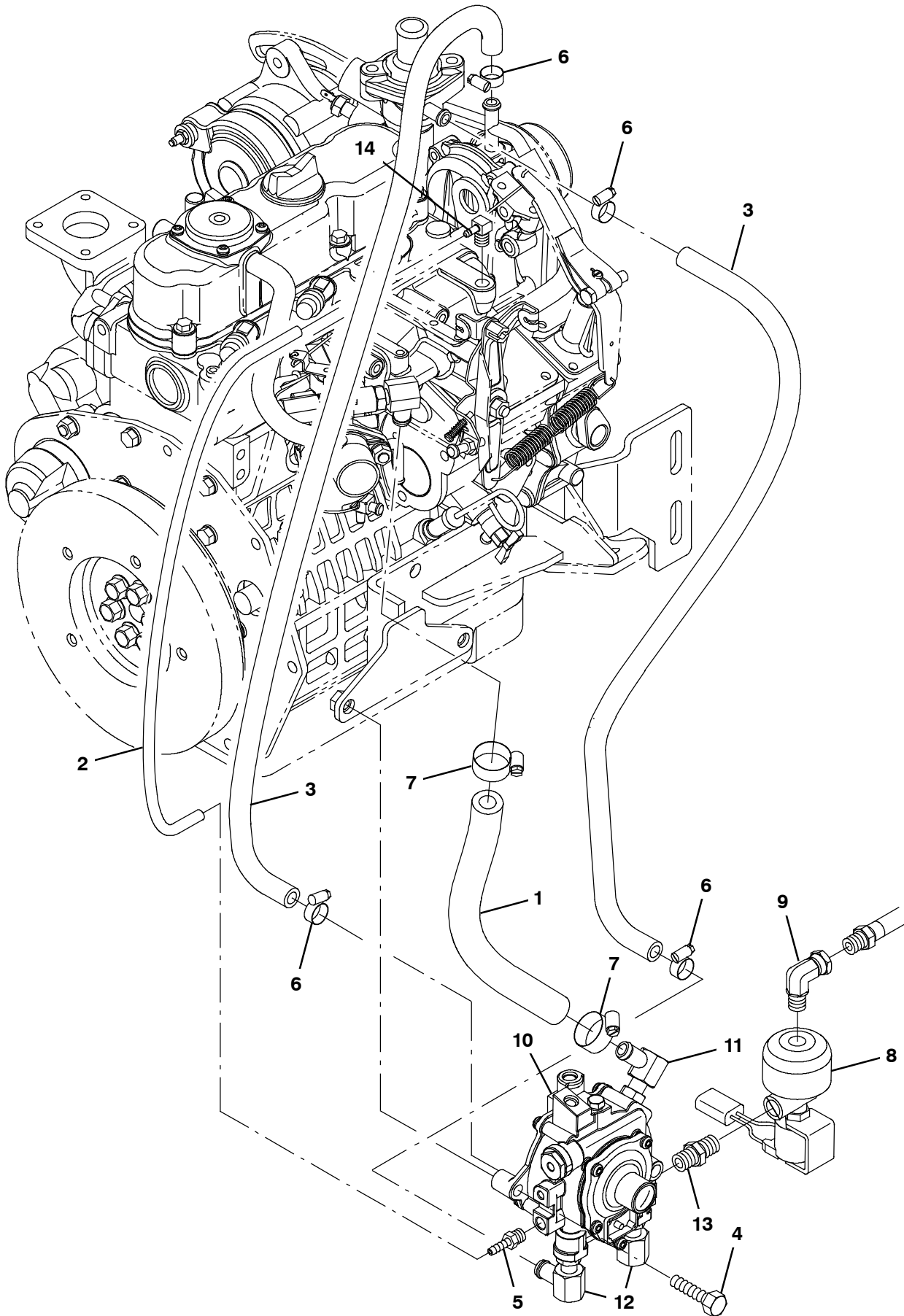


Fig. 18 - Engine Vaporizer Group, LPG (002100-)

Ref.	Part No.	Serial Number	Description	Qty.	
1	1053229	(002100-) Hose, Lpg, Low08, None/None, 011.8l	1	
2	1031574	(002100-) Hose, Afmkt, Vacuum, 0.16id, 02ft	1	
3	9009111	(002100-) Hose, Rbr, 0.38id 0.62od 24.0l	2	
4	72040	(002100-) Screw, Hex, M8 X 1.25 X 45, 10.9	2	
5	40607	(002100-) Fitting, Brs, Str, Bm03/Pm02	1	
6	43844	(002100-) Clamp, Hose, Wormdrive, 0.25- 0.62d, .31w	4	
7	63810	(002100-) Clamp, Hose, Wormdrive, 0.56- 1.06d, .56w	2	
▽	8	9006620	(002100-) Valve, Lock Off	1
▲	9007380	(002100-) Filter, Fuelock,Lpg[Gm1.6l 2010]	1	
9	11442- 1	(002100-) Fitting, Hyd, E90, Spcl	1	
▽	10	9006484	(002100-) Vaporizer Assy [Ku]	1
▲	11	9006485	(002100-) Fitting, Vaporizer [Ku]	1
▲	12	9006486	(002100-) Fitting, Vaporizer [Ku]	2
13	398468	(002100-) Fitting, Brs, Str, Pm04/Pm04	1	
14	32183	(002100-) Fitting, Brs, E90, Bm03/Pm02	1	

Fig. 19 - Engine Muffler Group

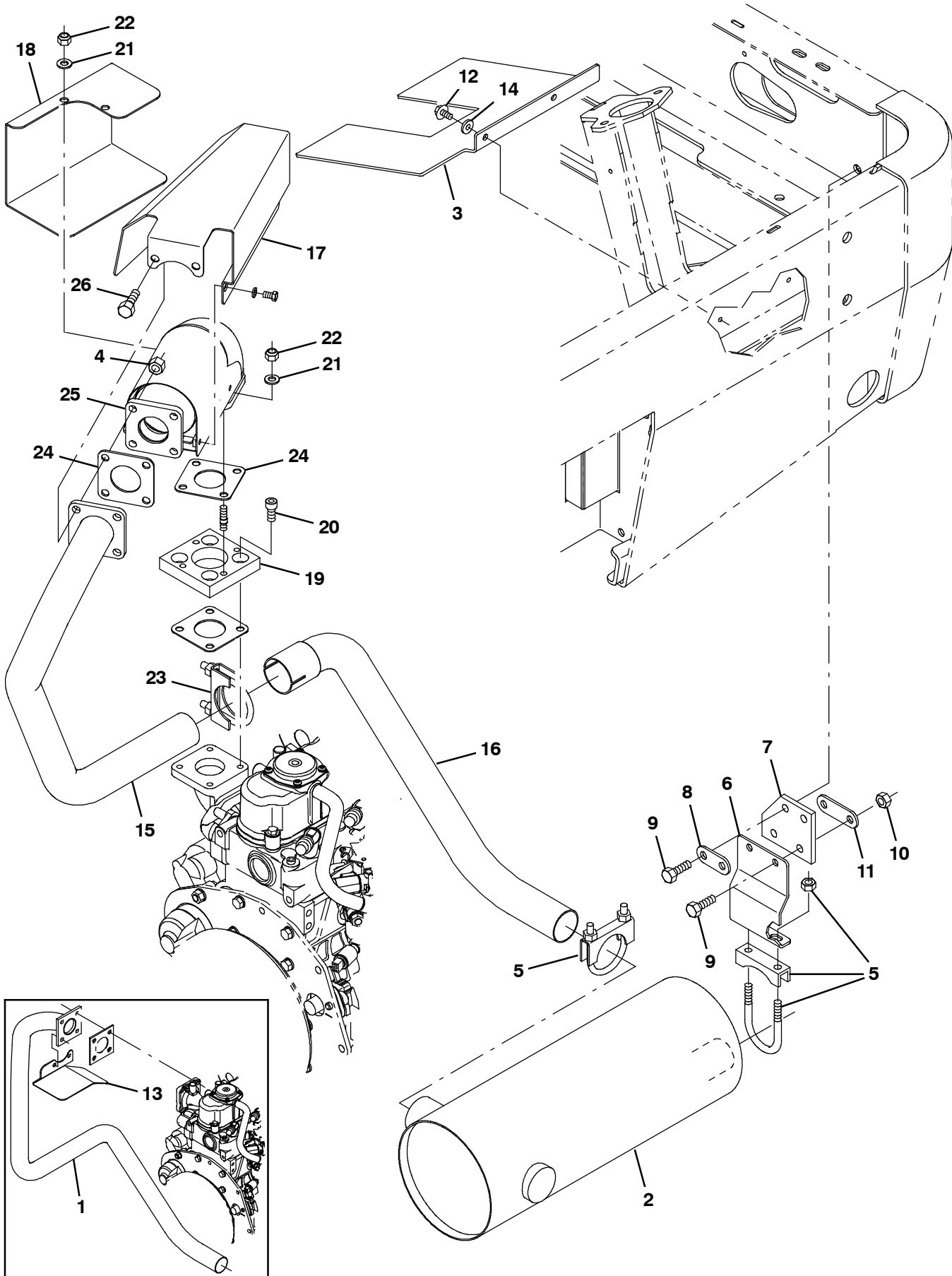


Fig. 19 - Engine Muffler Group

Ref.	Part No.	Serial Number	Description	Qty.
1	1050490	(000000- 002099)	Tube Wldt, Exhaust, 4 Hole Flng	1
2	360372	(000000-)	Muffler, Exhaust	1
3	1048733	(000000-)	Plate, Shield, Exhaust	1
4	39311	(002100-)	Nut, Hex, Std, M8 X 1.25	4
5	23694	(000000-)	Clamp, Muffler, 1.38d	2
6	1048843	(000000-)	Angle, Mtg, Muffler	1
7	1057564	(000000-)	Isolator, Vib, Exhaust, 0.3 2.7w 3.2w	1
8	1057578	(000000-)	Plate, Mtg, Isolator	1
9	39277	(000000-)	Screw, Hex, M8 X 1.25 X 25, 8.8	4
10	08709	(000000-)	Nut, Hex, Lock, M8 X 1.25, NI	2
11	1057581	(000000-)	Plate, Mtg, Isolator	1
12	361339	(000000-)	Screw, Hex, M6 X 1.00 X 16, Fmg	2
13	1054752	(000000- 002099)	Plate, Shield, Starter	1
14	32490	(000000-)	Washer, Flat, 0.25, Std	2
15	1061942	(002100-)	Pipe Wldt, Exhaust, 4 Hole Flng [2011]	1
16	1062212	(002100-)	Pipe, Exhaust [2011]	1
17	9008152	(002100-)	Shield, Heat, Gas/Lpg, W/ Label, Na[S20]	1
17	9008154	(002100-)	Shield, Heat, Gas/Lpg, W/ Label, Tj[S20]	1
18	1062022	(002100-)	Shield, Heat, Starter [2011]	1
19	1061911	(002100-)	Plate, Spacer, Exhaust, Dsl	1
20	49609	(002100-)	Screw, Soc, M8 X 1.25 X 16, 12.9	4
21	39349	(002100-)	Washer, Flat, 0.31, Sae	4
22	08165	(002100-)	Nut, Hex, Stover, M8	4
23	24012- 1	(002100-)	Clamp, Muffler, 1.75d	1
24	368312	(002100-)	Gasket, Exhaust [Ku]	2
25	1060389	(002100-)	Catalytic, Converter [Ku S20]	1
26	39277	(002100-)	Screw, Hex, M8 X 1.25 X 25, 8.8	4

Fig. 20 - Engine Battery Group

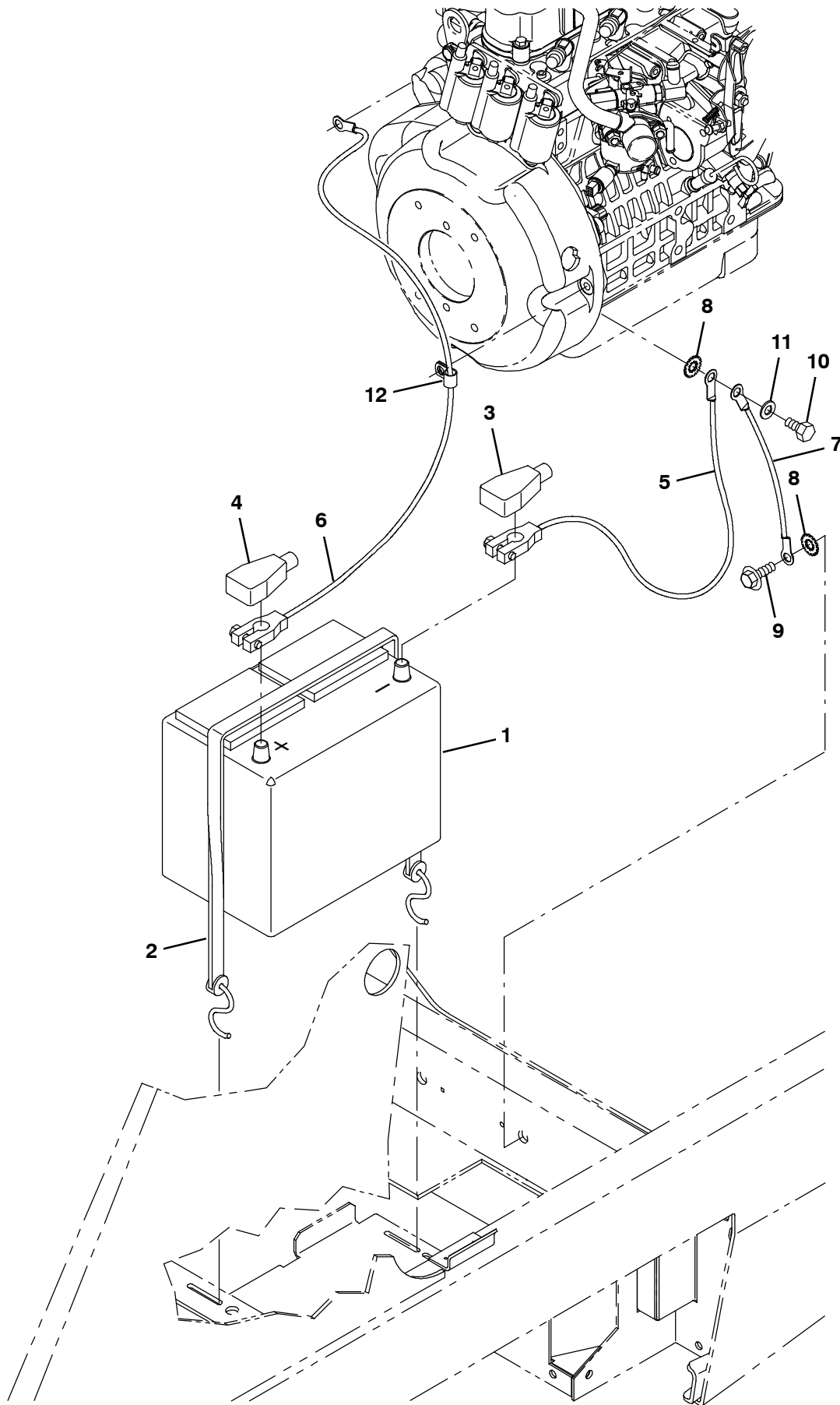


Fig. 20 - Engine Battery Group

Ref.	Part No.	Serial Number	Description	Qty.
1	10137	(000000-) Battery, Wet, 12vdc 0475cca	1
2	33671	(000000-) Strap, Rbr, Tie- Down, 19.0l, 2/ Hook	1
3	68872	(000000-) Boot, Terminal, Battery, 02- 01ga, Blk	1
4	68873	(000000-) Boot, Terminal, Battery, 02- 01ga, Red	1
5	360819	(000000-) Cable, Battery, 04ga 22.0l Blk .41ring	1
6	31258	(000000-) Cable, Battery, 04ga 38.0l Red .41ring	1
7	29832- 5	(000000-) Cable, 04ga 11.0l Blk .41ring /.41ring	1
8	41142	(000000-) Washer, Lock, Int- Ext, 0.38	2
9	1037358	(000000-) Screw, Hex, M10 X 1.50 X 35, 9.8, Sems	1
10	58286	(000000-) Screw, Hex, M10 X 1.25 X 20, 8.8	1
11	32485	(000000-) Washer, Flat, 0.38, Sae	1
12	40678- 1	(000000-) Clamp, Cable, Stl, 0.88d X 0.62w, 1hole	1

Fig. 21 - Directional Pedal Group

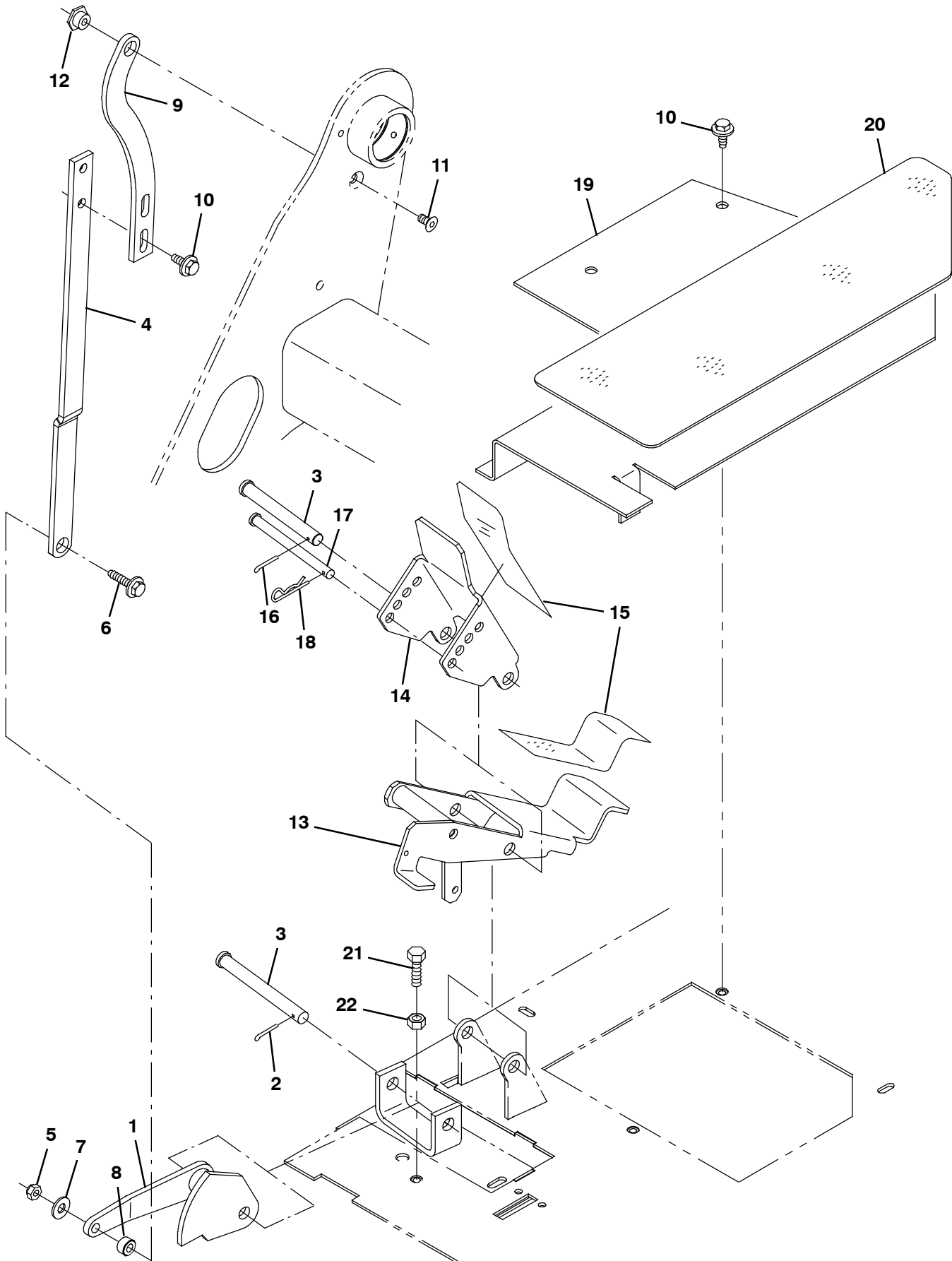


Fig. 21 - Directional Pedal Group

Ref.	Part No.	Serial Number	Description	Qty.
1	1052559	(000000-) Cam Wldt, Limiter, Spd	1
2	08346	(000000-) Pin, Cotter, .125 X 0.75	1
3	222196	(000000-) Pin, Clevis, 0.50d X 4.25l	2
4	1052558	(000000-) Link, 0.25, 1.0w 18.06l, 1/0.6h 2/ M8	1
5	08709	(000000-) Nut, Hex, Lock, M8 X 1.25, NI	1
6	1037355	(000000-) Screw, Hex, M8 X 1.25 X 35, 9.8, Sems	1
7	32491	(000000-) Washer, Flat, 0.31, Std	1
8	360460	(000000-) Sleeve, P/M, 0.34b 0.63d 0.4l, Ss / Oil	1
9	1052557	(000000-) Link, Limiter, Spd	1
10	1037346	(000000-) Screw, Hex, M8 X 1.25 X 25, 9.8, Sems	4
11	360821	(000000-) Screw, Flt, Soc, M8 X 1.25 X 16, 10.9	1
12	360840	(000000-) Spacer	1
13	1052553	(000000-) Pedal Wldt, Propel, Lower	1
14	1052550	(000000-) Pedal, Propel, Upper	1
15	75430	(000000-) Tread, Non- Skid, 02.2w 15.5l	1
16	08182	(000000-) Pin, Cotter, .125 X 1.00	1
17	59672	(000000-) Pin, Clevis, 0.37d X 4.50l	1
18	97163	(000000-) Pin, Cotter, Hair, 13mmd 3mm Wir	1
19	1048508	(000000-) Cover, Plt, Floor	1
20	360906	(000000-) Tread, Non- Skid, 06.5w 20.6l	1
21	76570	(000000-) Screw, Hex, M8 X 1.25 X 30, 8.8	1
22	07791	(000000-) Nut, Hex, Flng, M8 X 1.25	1

Fig. 22 - Wheel and Brake Group, Front

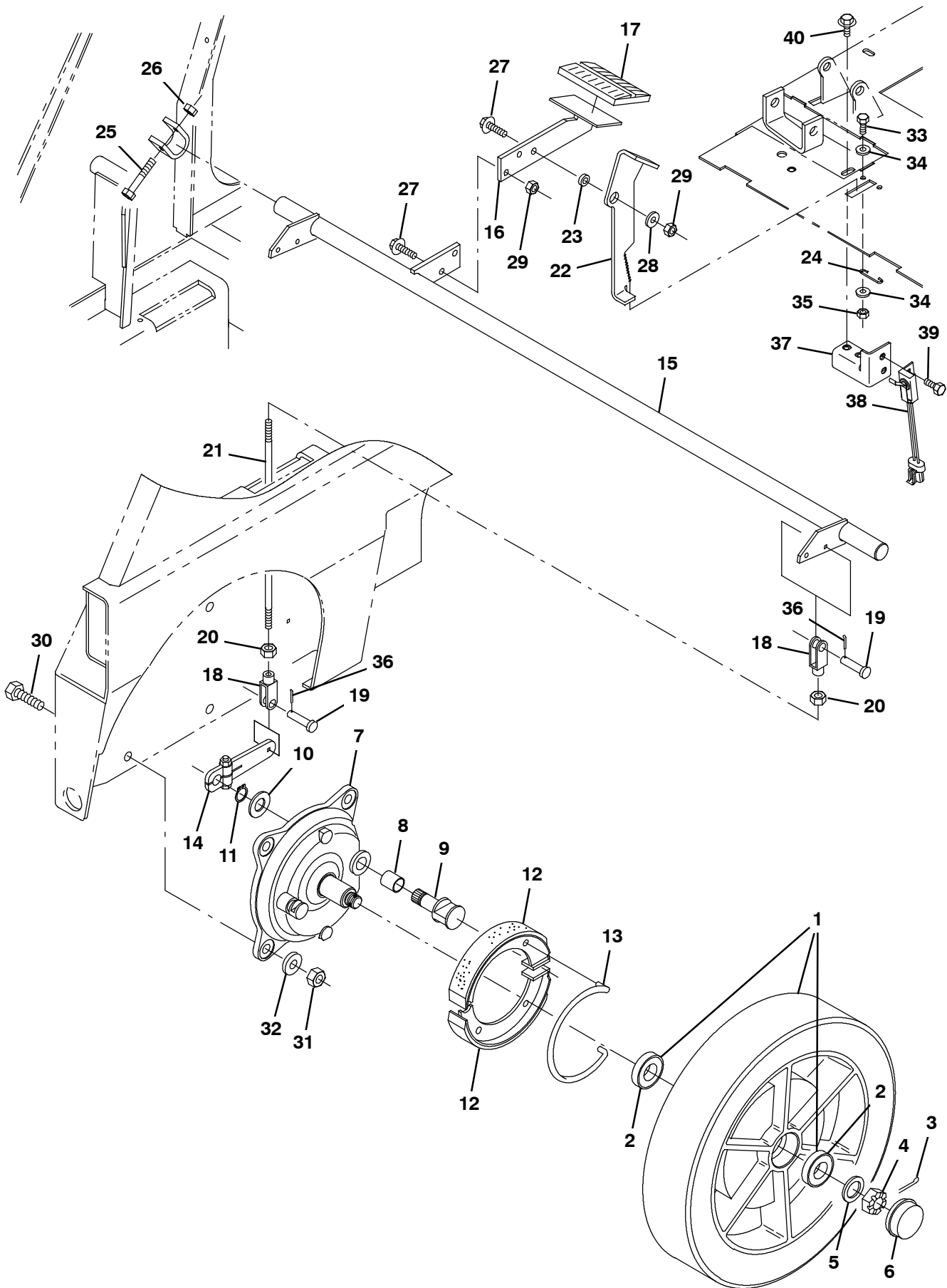


Fig. 22 - Wheel and Brake Group, Front

Ref.	Part No.	Serial Number	Description	Qty.
▽	1	1063238	(000000-) Tire Assy, Idler, Swpr, Blk, 16.0x3.5	2
▲	2	360074	(000000-) Bearing, Ball, 1.18b 2.44d 0.63w	2
	3	08182	(000000-) Pin, Cotter, .125 X 1.00	2
	4	86659	(000000-) Nut, Hex, Slt'd, .75- 16	2
	5	49145	(000000-) Washer, Flat, 0.76b 1.50d .06, Ss	2
	6	54390	(000000-) Cap, Hub, Dust, 2.57d 0.77l	2
▽		360023	(000000-) Brake Assy	2
▲	7	360270	(000000-) Plate, Backing, Brake	1
▲	8	360271	(000000-) Bushing, Sleeve, 0.78b 0.86d 0.93l, Bnz	1
▲	9	360272	(000000-) Cam, Plt, Brake [Nickel]	1
▲	10	360273	(000000-) Washer, Flat, M21.0b X 37d X 3	1
▲	11	360274	(000000-) Retainer, Ring, Brake	1
▲	12	360275	(000000-) Shoe, Brake, 180 X 30mm	2
▲	13	360276	(000000-) Spring, Wir, 0.25d, Brake Return	1
	14	360802	(000000-) Arm, Lever, Brake, 4.1 [Knott]	2
	15	1052114	(000000-) Shaft Wldt, Brush	1
	16	1052113	(000000-) Pedal Wldt, Brake	1
	17	51109	(000000-) Pad, Pedal, Brake, 3.96l 2.36w 0.75	1
	18	14595- 1	(000000-) Clevis, Adj, 0.25pin, 0.25- 28 Rh, PI	4
	19	14605	(000000-) Pin, Clevis, 0.25d X 0.75l	4
	20	32899	(000000-) Nut, Hex, Jam, .25- 28	4
	21	360935	(000000-) Rod	2
	22	1046553	(000000-) Lever, Stop, Brake	1
	23	1052263	(000000-) Tube, 0.34id 0.62od 00.2l, Stl	1
	24	71367	(000000-) Spring, Wir, 0.08d, Parking Brake	1
	25	06949	(000000-) Screw, Hex, M6 X 1.00 X 50, 8.8	2
	26	08708	(000000-) Nut, Hex, Lock, M6 X 1.00, NI	2
	27	1037355	(000000-) Screw, Hex, M8 X 1.25 X 35, 9.8, Sems	3
	28	32491	(000000-) Washer, Flat, 0.31, Std	1
	29	08709	(000000-) Nut, Hex, Lock, M8 X 1.25, NI	3
	30	06968	(000000-) Screw, Hex, M12 X 1.75 X 35, 8.8	8
	31	08711	(000000-) Nut, Hex, Lock, M12 X 1.75, NI	8
	32	32486	(000000-) Washer Flat, 0.50, Sae	8
	33	1054875	(000000-) Screw, Hex, M5 X 1.0 X 16, Blk	2
	34	19066	(000000-) Washer, Flat, 10	4
	35	06549	(000000-) Nut, Hex, Lock, M5 X 0.80, NI	2
	36	08170	(000000-) Pin, Cotter, .062 X 0.50	2
	37	1048142	(000000-) Bracket, Switch, Brake	1
	38	1039735	(000000-) Switch, Snap, 15a No	1
	39	87308	(000000-) Screw, Hex, M6 X 1.00 X 12, 8.8	2
	40	1020341	(000000-) Screw, Hex, M8 X 1.25 X 20, Ss, Sems	2

Fig. 23 - Wheel Group, Rear Drive

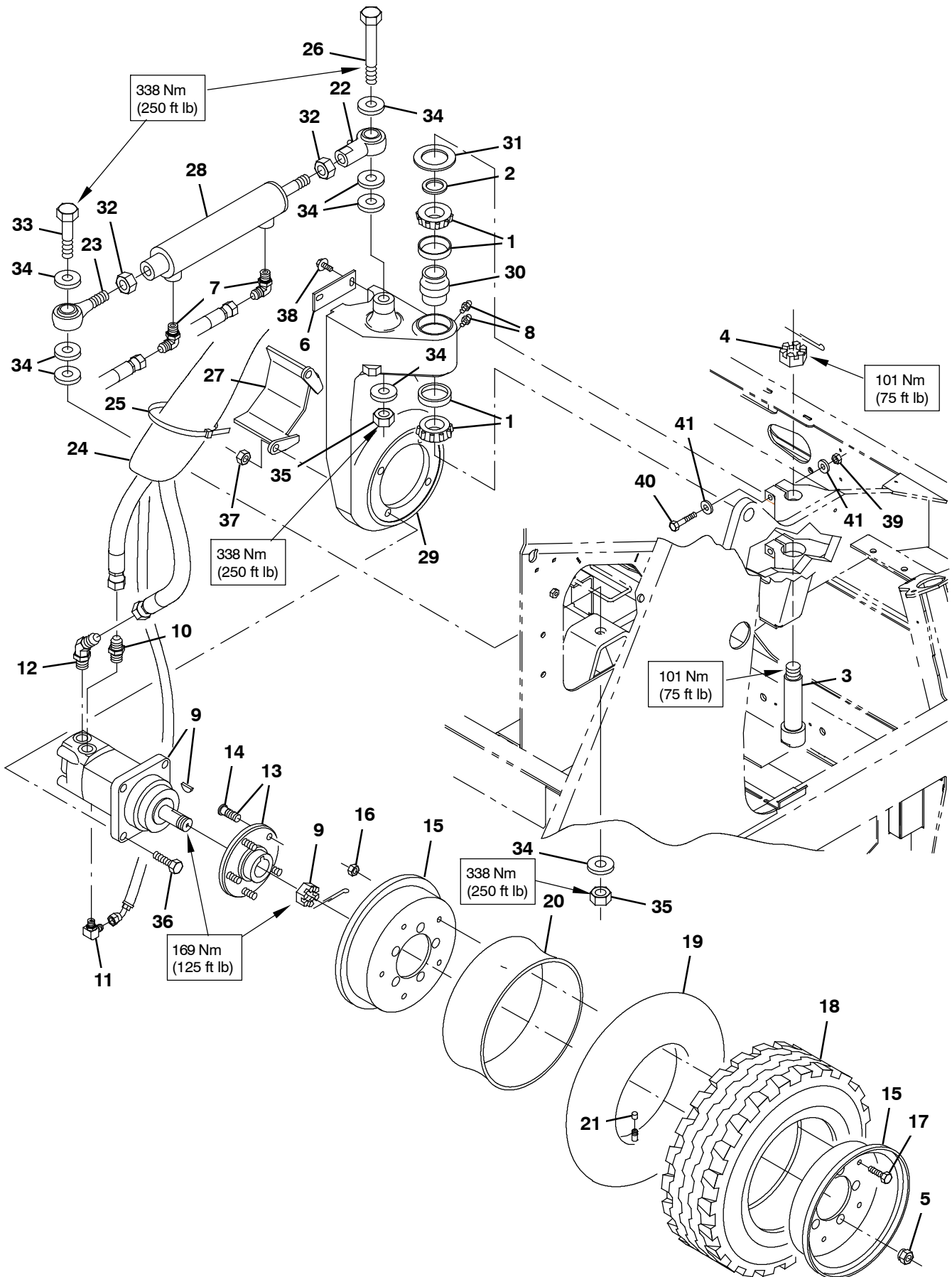


Fig. 23 - Wheel Group, Rear Drive

Ref.	Part No.	Serial Number	Description	Qty.	
1	49225	(000000-) Bearing Assy, 2.33d 1.25b Cup / Cone Kit	2	
2	47719	(000000-) Washer, Flat, 1.26b 1.88d .13, Stl	1	
3	364861	(000000-) Bolt, Shld 1.25d X 4.45l, 1.0- 20 Drilled	1	
4	14242	(000000-) Nut, Hex, Slt'd, 1.00- 20	1	
5	24339	(000000-) Nut, Wheel, .50- 20 X 60 Angle	5	
6	1052521	(000000-) Bar, Flat, Stl 0.19, 01.50 X 04.11	1	
7	56820	(000000- 002999) Fitting, Hyd, E90, Jm06/Om06	2	
7	762432	(003000-) Fitting, Hyd, E90, Fm06/Om06	2	
8	47801	(000000-) Fitting, Grease, Str Pm04 .63l	2	
9	374559	(000000-) Motor, Hyd, Gear, Int 18.7 Bi- Dir 3000 (See Breakdowns)	1	
10	46480	(000000- 002999) Fitting, Hyd, Str, Jm10/Om10	1	
10	762463	(003000-) Fitting, Hyd, Str, Fm10/Om10	1	
11	77097	(000000- 002999) Fitting, Hyd, E90, Jm04/Om04	1	
11	762427	(003000-) Fitting, Hyd, E90, Fm04/Om04	1	
12	44936	(000000- 002999) Fitting, Hyd, E45, Jm10/Om10	1	
12	762465	(003000-) Fitting, Hyd, E45, Fm10/Om10	1	
▽	13	1052522	(000000-) Hub Assy, Wheel, 5 Bolt 4.50bc 1.5 Taper	1
▲	14	32126	(000000-) Stud, Wheel, .50- 20 X 1.50l, 0.370th	5
▽		360769	(000000-) Tire Assy, Pneu, 150/75- 08 4.5bc 5bolt	1
▲	15	366104	(000000-) Wheel Assy, Rim, 08.0 X 4.33 4.5bc/5b	1
▲	16	08714	(000000-) Nut, Hex, Lock, M10 X 1.5, NI, Ss	5
▲	17	39283	(000000-) Screw, Hex, M10 X 1.50 X 25, 8.8	5
▲▽		366094	(000000-) Tire, Pneu, 16x6.0x08 [With Tube & Flap]	1
▲▲	18	361081	(000000-) Tire, Pneu, 16x6.0x08, 10ply [1c12]	1
▲▲	19	361077	(000000-) Innertube, 16 X 6- 8	1
▲▲	20	366092	(000000-) Flap, Tire, 8.00 [Zf500]	1
▲	21	45786	(000000-) Cap, Valve, Tire, Tubeless [Schrader]	1
	22	64887	(000000-) Rod- End, 0.75- 16rh Fem 0.75b	1
	23	64886	(000000-) Rod- End, 0.75- 16rh Mal 0.75b [Teflon]	1
	24	34329	(000000-) Sleeve, Nyl, 1.81id 20.0l	1
	25	49266	(000000-) Tie, Cable, Nyl, 07.3l .19w 1.8 Max D	1
	26	360152	(000000-) Screw, Hex, .75- 10 X 5.00, G5	1
	27	1052523	(000000-) Bracket, Motor, Drive	1
	28	1028492	(000000-) Cylinder, Hyd, 2.0b 15.0l 08.00strk 1500	1
	29	364863	(000000-) Housing, Sppt, Drive, Rear	1
	30	364826	(000000-) Seal, Grease Cav	1
	31	364827	(000000-) Washer, Flat, 1.91b 3.00d .16, Felt	1
	32	35886	(000000-) Nut, Hex, Jam, .75- 16	2
	33	58056	(000000-) Screw, Hex, .75- 10 X 3.00, G5	1
	34	39350	(000000-) Washer, Flat, 0.75, Sae	8
	35	32987	(000000-) Nut, Hex, Lock, .75- 10, NI	2
	36	06972	(000000-) Screw, Hex, M12 X 1.75 X 60, 8.8	4
	37	08711	(000000-) Nut, Hex, Lock, M12 X 1.75, NI	4
	38	1037346	(000000-) Screw, Hex, M8 X 1.25 X 25, 9.8, Sems	2
	39	41430	(000000-) Nut, Hex, Lock, M10 X 1.5, NI	2
	40	06964	(000000-) Screw, Hex, M10 X 1.50 X 70, 8.8	2
	41	32485	(000000-) Washer, Flat, 0.38, Sae	4

Fig. 24 - Brush Lift Group, Main

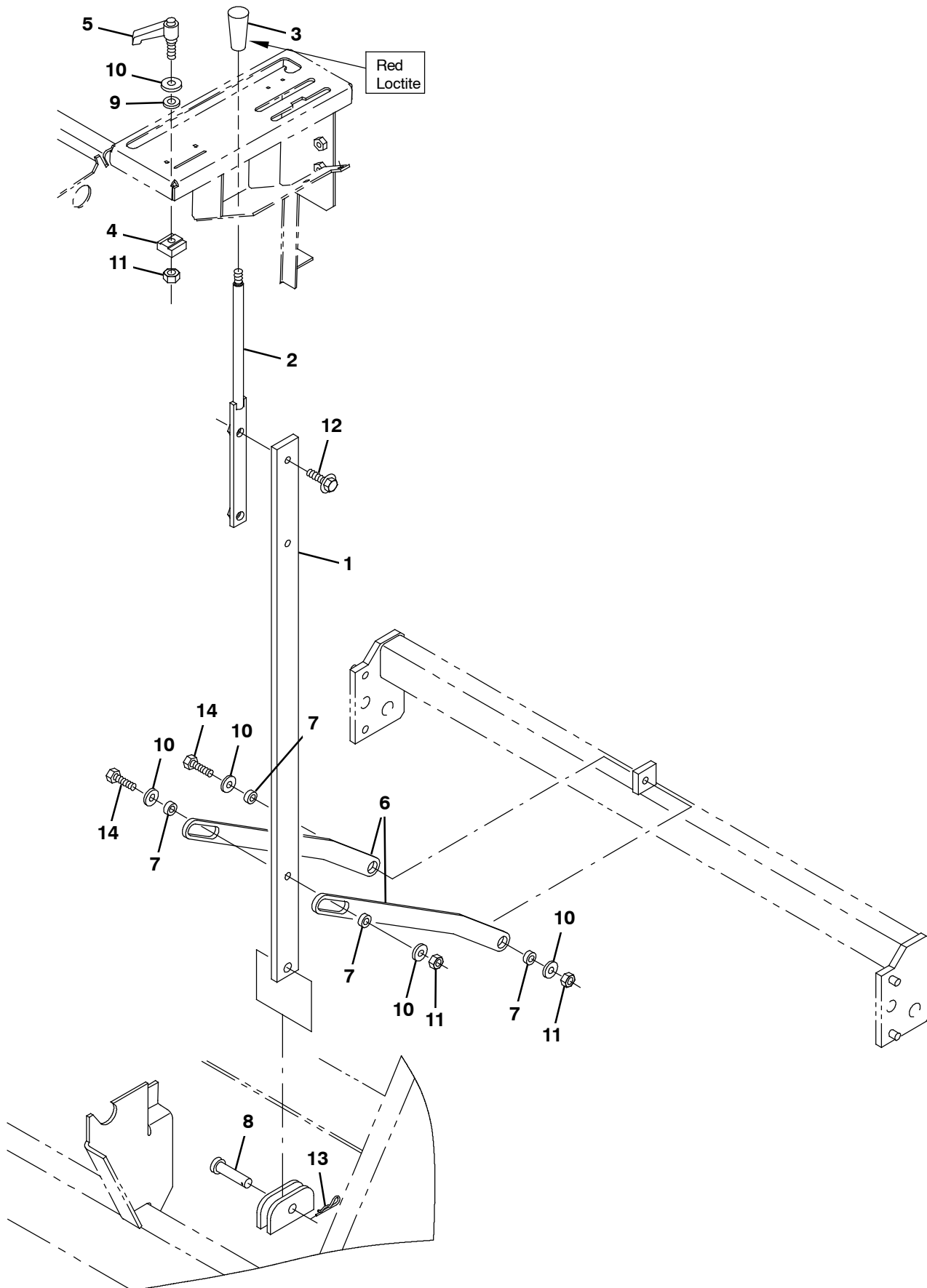


Fig. 24 - Brush Lift Group, Main

Ref.	Part No.	Serial Number	Description	Qty.
1	1048801	(000000-) Lever, Brush Lift	1
2	1055049	(000000-) Handle Wldt, Lift, Brush	1
3	54995	(000000-) Knob, 1.12d 3.86l M10 X 1.5, Plstc Tpr]	1
4	360774	(000000-) Block, Adj	1
5	375020	(000000-) Lever, Adj, Plstc	1
6	1048802	(000000-) Link, Lift, Main Brush	2
7	360460	(000000-) Sleeve, P/M, 0.34b 0.63d 0.4l, Ss / Oil	4
8	51529	(000000-) Pin, Clevis, 0.50d X 1.25l	1
9	1055074	(000000-) Washer, Sealing, M8	1
10	32491	(000000-) Washer, Flat, 0.31, Std	5
11	08709	(000000-) Nut, Hex, Lock, M8 X 1.25, NI	3
12	1037354	(000000-) Screw, Hex, M8 X 1.25 X 30, 9.8, Sems	2
13	44906	(000000-) Pin, Cotter, Hair, 0.38d .093 Wir	1
14	06956	(000000-) Screw, Hex, M8 X 1.25 X 45, 8.8	2

Fig. 25 - Brush Drive Group, Main

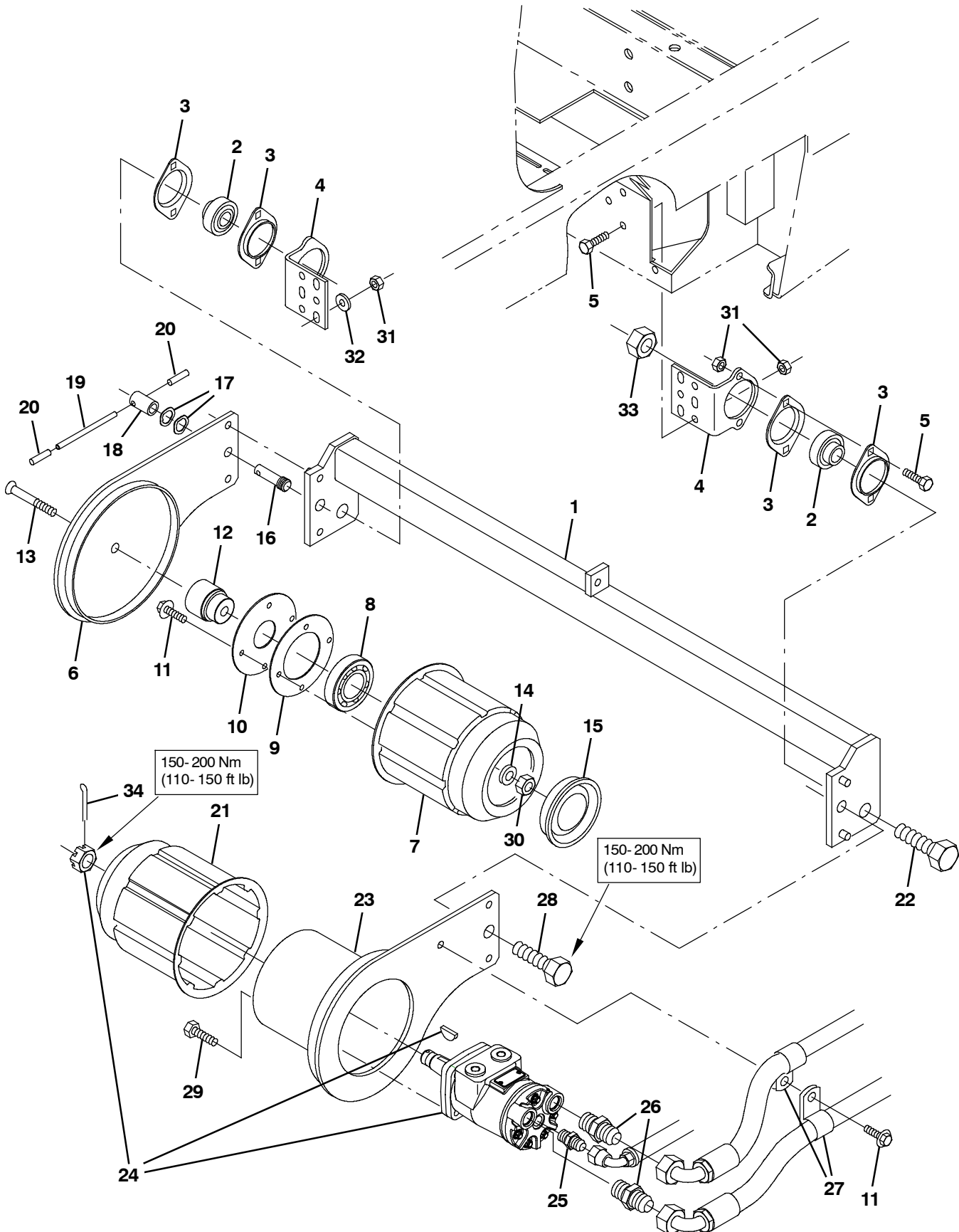


Fig. 25 - Brush Drive Group, Main

Ref.	Part No.	Serial Number	Description	Qty.	
1	1048800	(000000-) Tube Wldt, Torque	1	
2	25887	(000000-) Bearing, W/ Collar, 0.75b 1.85d 1.06w	2	
3	35973	(000000-) Flange, Brg, 1.9id 2h	4	
4	1048744	(000000-) Bracket, Angle, Mtg, Brg	2	
5	09740	(000000-) Screw, Hex, M8 X 1.25 X 20, Ss	10	
6	1054045	(000000-) Arm Wldt, Brush, Main, Idler	1	
7	55779	(000000-) Plug Wldt, Idler, Brush	1	
8	24899	(000000-) Bearing, Ball, 1.38b 2.83d 0.67w	1	
9	30252	(000000-) Disc, 0.08, 04.39d 02.56b, 4/.28h 3.8bc	1	
10	30253	(000000-) Disc, 0.06, 04.39d 01.67b, 4/.30h 3.8bc	1	
11	1036892	(000000-) Screw, Hex, M6 X 1.00 X 25, 9.8 Sems	5	
12	30251	(000000-) Shaft, Idler, Plug, Brush	1	
13	361555	(000000-) Screw, Flt, M12 X 1.75 X 80, 10.9	1	
14	51564	(000000-) Washer, Flat, 0.53b 1.75d .12, Stl, Pl	1	
15	30255	(000000-) Cap, Vinyl, 3.28d 0.45l	1	
16	360110	(000000-) Stud, Spcl	1	
17	52508	(000000-) Washer, Wavy, 0.53b 0.81d .09	2	
18	360109	(000000-) Bar, Hex, Stl 0.75, 01.6l .50h Thru	1	
19	11631	(000000-) Pin, Roll, .250d X 3.50l, .250/.256	1	
20	360492	(000000-) Cap, Vinyl, 0.23id, 1.50l	2	
21	87631	(000000- 002395) Plug Wldt, Drive, Brush	1	
21	1057643	(002396-) Plug Wldt, Drive, Brush	1	
22	39395	(000000-) Screw, Hex, .75- 10 X 2.50, Fl	2	
23	360349	(000000-) Arm Wldt, Brush, Main, Drive	1	
24	361021	(000000- 002395) Motor, Hyd, Gear, Int 02.2 Bi- Dir 1500 (See Breakdowns)	1	
▽	24	1068806	(002396-) Motor, Hyd, Gear, Int 02.2 Bi- Dir 1500	1
▲		22615	(002396-) Seal Kit, Motor [CI]	1
	25	55586	(000000- 002999) Fitting, Hyd, Str, Jm04/Om04	1
	25	762428	(003000-) Fitting, Hyd, Str, Fm04/Om04	1
	26	52402	(000000- 002999) Fitting, Hyd, Str, Jm06/Om08	2
	26	762438	(003000-) Fitting, Hyd, Str, Fm06/Om08	2
	27	67767	(000000-) Clamp, Cable, Stl, 0.69d X 0.62w, 1hole	2
	28	06977	(000000-) Screw, Hex, M16 X 2.00 X 20, 8.8	1
	29	01762	(000000-) Screw, Hex, .38- 16 X 0.75, NI	4
	30	08711	(000000-) Nut, Hex, Lock, M12 X 1.75, NI	1
	31	08709	(000000-) Nut, Hex, Lock, M8 X 1.25, NI	10
	32	32491	(000000-) Washer, Flat, 0.31, Std	3
	33	32987	(000000-) Nut, Hex, Lock, .75- 10, NI	2
	34	08175	(000000-) Pin, Cotter, .125 X 1.25	1

Fig. 26 - Brush Lift Group, Side

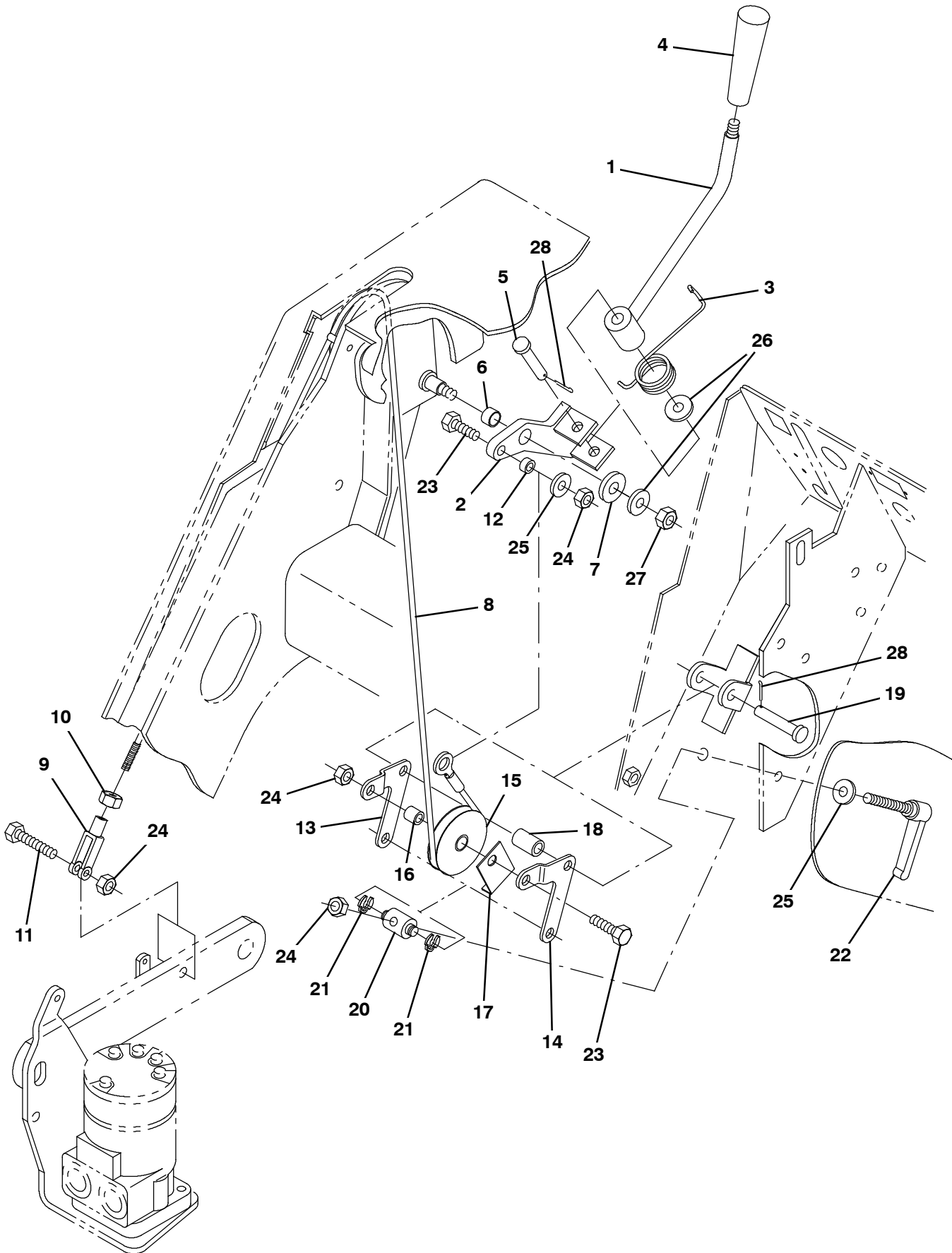


Fig. 26 - Brush Lift Group, Side

Ref.	Part No.	Serial Number	Description	Qty.
1	360449	(000000-) Handle Wldt, Brush, Side	1
2	360417	(000000-) Arm Wldt, Lift, Brush	1
3	360961	(000000-) Spring, Tors, 1.03id .11wir 03.0coil	1
4	54995	(000000-) Knob, 1.12d 3.86l M10 X 1.5, Plstc Tpr]	1
5	51813	(000000-) Pin, Clevis, 0.37d X 2.12l	1
6	64173	(000000-) Bushing, Sleeve, 0.50b 0.59d 0.38l, Stl	1
7	39346	(000000-) Washer, Flat, 0.44, Std	1
8	1047878	(000000-) Cable, Ss .12d 60.25l .55eye / M6- 1.0	1
9	1035826	(000000-) Clevis, Adj, M6 Pin, M6 X 1.0 Rh, PI	1
10	41359	(000000-) Nut, Hex, Std, M6 X 1.00, 8	1
11	06957	(000000-) Screw, Hex, M8 X 1.25 X 60, 8.8	1
12	360801	(000000-) Sleeve, 0.32b 0.50d 0.3l, 2cham, Ss	1
13	360410	(000000-) Bellcrank, Lift, Brush, Side, Rh	1
14	360411	(000000-) Bellcrank, Lift, Brush, Side, Lh	1
15	369781	(000000-) Pulley, Cable, 1.5d Nyl	1
16	222460	(000000-) Sleeve, P/M, 0.32b 0.50d 0.5l [430ss]	1
17	54400	(000000-) Bracket, Angle, Keeper, Cable	1
18	360451	(000000-) Tube, 0.42id 0.62od 01.0l, Stl, PI	1
19	29584	(000000-) Pin, Clevis, 0.37d X 2.00l	1
20	71126	(000000-) Block, Adj, Pivot	1
21	12364	(000000-) Ring, Retaining, Ext, 0.38d, [Klipring]	2
22	360414	(000000-) Lever, Adj, Metal	1
23	76570	(000000-) Screw, Hex, M8 X 1.25 X 30, 8.8	2
24	08709	(000000-) Nut, Hex, Lock, M8 X 1.25, NI	4
25	32491	(000000-) Washer, Flat, 0.31, Std	2
26	32492	(000000-) Washer, Flat, 0.38, Std	2
27	41430	(000000-) Nut, Hex, Lock, M10 X 1.5, NI	1
28	44906	(000000-) Pin, Cotter, Hair, 0.38d .093 Wir	2

Fig. 27 - Brush Motor and Pivot Group, Side

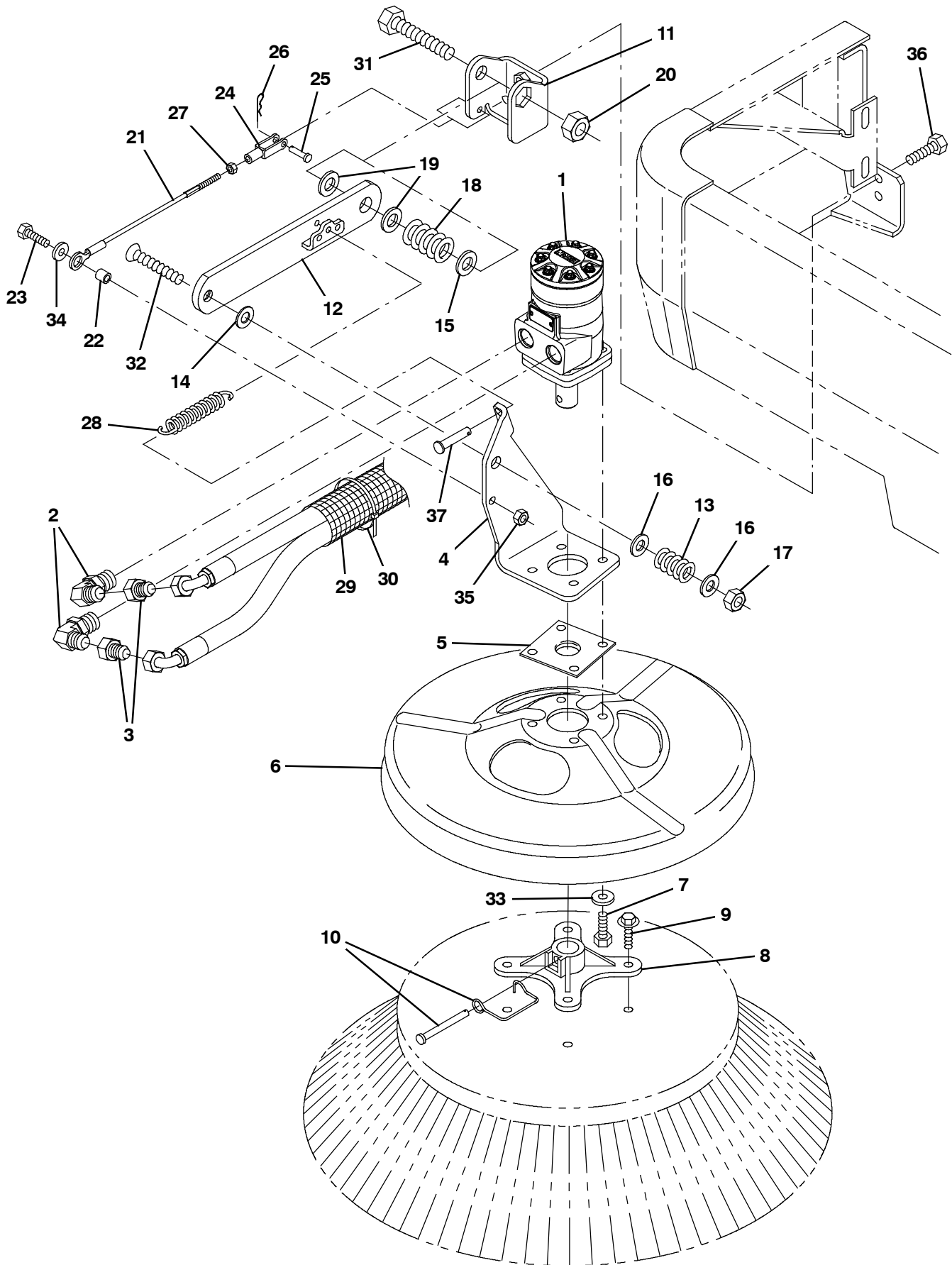


Fig. 27 - Brush Motor and Pivot Group, Side

Ref.	Part No.	Serial Number	Description	Qty.
	1	361014	(000000- 002395) Motor, Hyd, Gear, Int 09.7 Bi- Dir 1500 (See Breakdowns)	1
▽	1	1068802	(002396-) Motor, Hyd, Gear, Int 09.7 Bi- Dir 1500	1
▲		22615	(002396-) Seal Kit, Motor [CI]	1
	2	56821	(000000- 002999) Fitting, Hyd, E90, Jm08/Om10	2
	2	767411	(003000-) Fitting, Hyd, E90, Fm08/Om10	2
	3	47753	(000000- 002999) Fitting, Hyd, Str, Jf08/Jm06	2
	3	762458	(003000-) Fitting, Hyd, Str, Ff08/Fm06	2
	4	1046246	(000000-) Bracket, Mtg, Motor, Rh	1
	5	16082	(000000-) Guard, String, Motor, Brush	1
	6	1054256	(000000-) Guard, Brush	1
	7	46559	(000000-) Screw, Hex, .38- 16 X 1.25, NI	4
	8	47501	(000000-) Hub, Adapter, Brush, 1.00b	1
	9	39396	(000000-) Screw, Hex, .31- 12 X 1.50, Fmg [Ab]	4
	10	84581	(000000-) Pin Assy, Side Brush W/ Clip	1
	11	1037427	(000000-) Bracket, Arm, Side Brush	1
	12	1037485	(000000-) Arm Wldt, Lift, Rh	1
	13	360357	(000000-) Spring, Dsl, 1.00od 0.50id 1.25l	1
	14	59633	(000000-) Washer, Thrust, 0.53b 1.00d 0.03w[Fbrgl]	1
	15	15331	(000000-) Washer, Flat, 0.62, Sae	1
	16	32486	(000000-) Washer Flat,0.50,Sae	2
	17	86029	(000000-) Nut, Hex, Flexlock, .50- 13, Thin	1
	18	360081	(000000-) Spring, Dsl, 1.25od 0.62id 1.80l	1
	19	64425	(000000-) Washer, Thrust, 0.61b 1.25d .06, Fgl	2
	20	33342	(000000-) Nut, Hex, Lock, M16 X 2.00, NI	1
	21	1048311	(000000-) Cable, Ss .19d 008.5l .55eye / M6- 1.0	1
	22	360801	(000000-) Sleeve, 0.32b 0.50d 0.3l, 2cham, Ss	1
	23	09010	(000000-) Screw, Hex, M8 X 1.25 X 25, Ss	1
	24	1035826	(000000-) Clevis, Adj, M6 Pin, M6 X 1.0 Rh, PI	1
	25	14605	(000000-) Pin, Clevis, 0.25d X 0.75l	1
	26	08085	(000000-) Pin, Cotter, Hair, 0.31d .058 Wir	1
	27	07785	(000000-) Nut, Hex, Std, M6 X 1.00, Ss	1
	28	29499	(000000-) Spring, Extn, 0.75od 0.11wir 04.5l	1
	29	31646	(000000-) Sleeve, Nyl, 1.63id 25.0l	1
	30	49266	(000000-) Tie, Cable, Nyl, 07.3l .19w 1.8 Max D	2
	31	06988	(000000-) Screw, Hex, M16 X 2.00 X 90, 8.8	1
	32	27108	(000000-) Screw, Flt, Soc, .50- 13 X 2.50, Al	1
	33	32492	(000000-) Washer, Flat, 0.38, Std	4
	34	01685	(000000-) Washer, Flat, 0.38b 0.88d .08, Ss	1
	35	08713	(000000-) Nut, Hex, Lock, M8 X 1.25, NI, Ss	1
	36	09028	(000000-) Screw, Hex, M10 X 1.50 X 25, Ss	2
	37	41305	(000000-) Pin, Clevis, 0.37d X 0.75l	1

Fig. 28 - Vacuum Fan Control Group

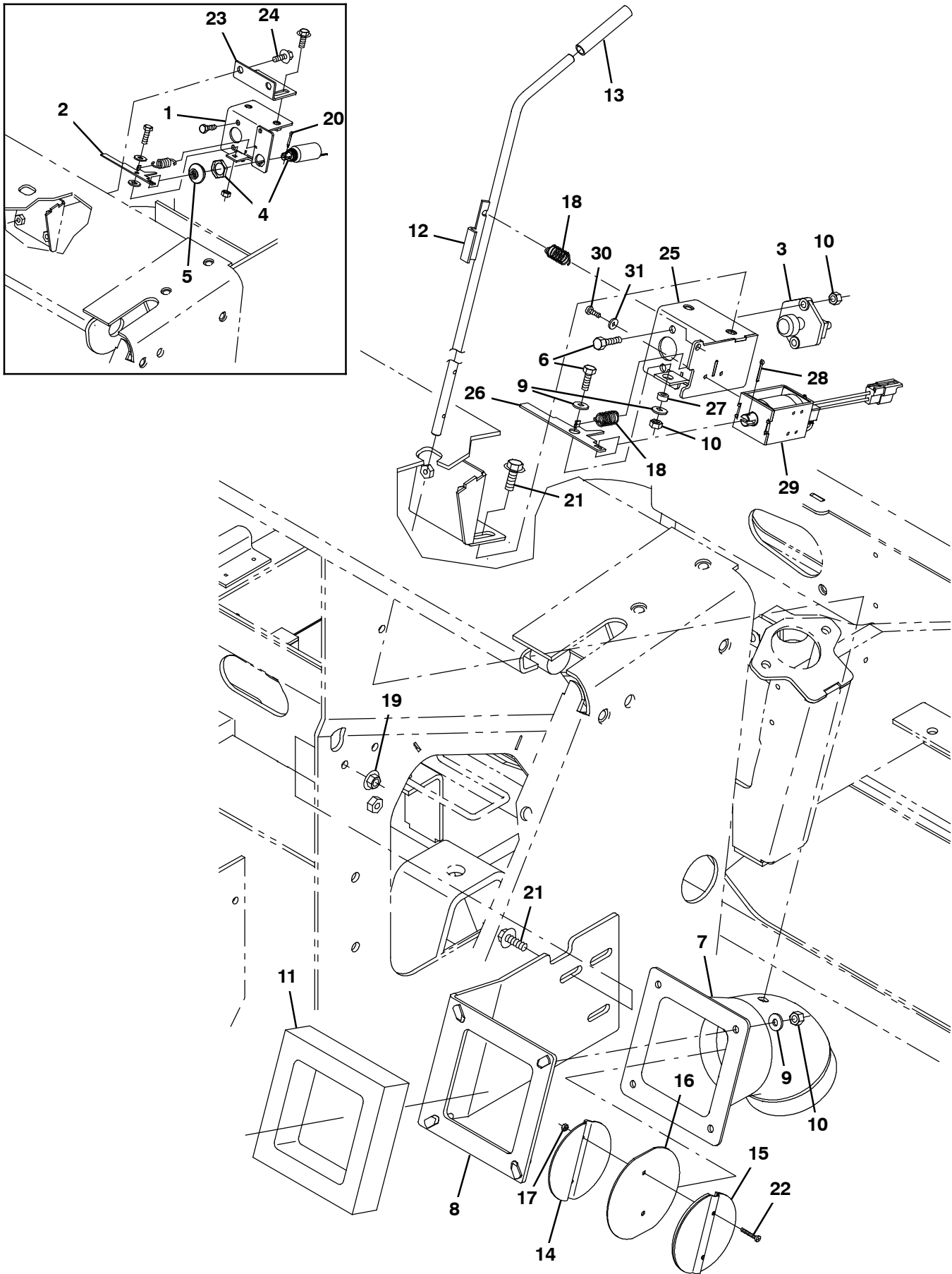


Fig. 28 - Vacuum Fan Control Group

Ref.	Part No.	Serial Number	Description	Qty.
1	1057734	(000000-001286)	Bracket, Switch, Shaker	1
2	375019	(000000-001286)	Lever, Vacfan	1
3	44078	(000000-)	Switch, Push, Spst, No	1
4	9007390	(000000-001286)	Solenoid Kit, 12vdc, Replmt [Thrmsentry]	1
5	87707	(000000-001286)	Bellows, Solenoid, .75- 16, 1.5l	1
6	06943	(000000-)	Screw, Hex, M6 X 1.00 X 20, 8.8	3
7	1048274	(000000-)	Tube, Transition, Valve, Ic	1
8	1045627	(000000-)	Bracket, Inlet, Vacfan	1
9	32483	(000000-)	Washer, Flat, 0.25, Sae	6
10	08708	(000000-)	Nut, Hex, Lock, M6 X 1.00, NI	7
11	1044357	(000000-)	Seal, Inlet, Vacuum	1
12	1046590	(000000-)	Rod Wldt, Damper	1
13	360981	(000000-)	Grip, Vyl	1
14	1052653	(000000-)	Plate Wldt, Damper	1
15	1052652	(000000-)	Damper, Inlet	1
16	87983	(000000-)	Seal, Rbr, Damper, 0.06th, 04.1d	1
17	75939	(000000-)	Nut, Hex, Lock, #06- 32, NI	2
18	09087	(000000-)	Spring, Extn, 0.96od 0.05wir 01.4l	2
19	07791	(000000-)	Nut, Hex, Flng, M8 X 1.25	2
20	08346	(000000-001286)	Pin, Cotter, .125 X 0.75	1
21	1037354	(000000-)	Screw, Hex, M8 X 1.25 X 30, 9.8, Sems	7
22	25005	(000000-)	Screw, Pan, Phl, 06- 32 X 1.00, G1	2
23	1057735	(000000-001280)	Bracket, Switch, Shaker	1
24	1037354	(000000-001280)	Screw, Hex, M8 X 1.25 X 30, 9.8, Sems	2
25	1060334	(001287-)	Bracket Wldt, Switch, Shkr	1
26	1060331	(001287-)	Lever, Vacfan	1
27	140147	(001287-)	Sleeve, P/M, 0.25b 0.44d 0.2l, PI	1
28	08179	(001287-)	Pin, Cotter, .094 X 1.00	1
29	1060690	(001287-)	Solenoid Assy, Pull, 12vdc	1
30	32515	(001287-)	Screw, Pan, Phl, 08- 32 X 0.38, G1	2
31	19065	(001287-)	Washer, Flat, 08	2

Fig. 29 - Vacuum Fan Group

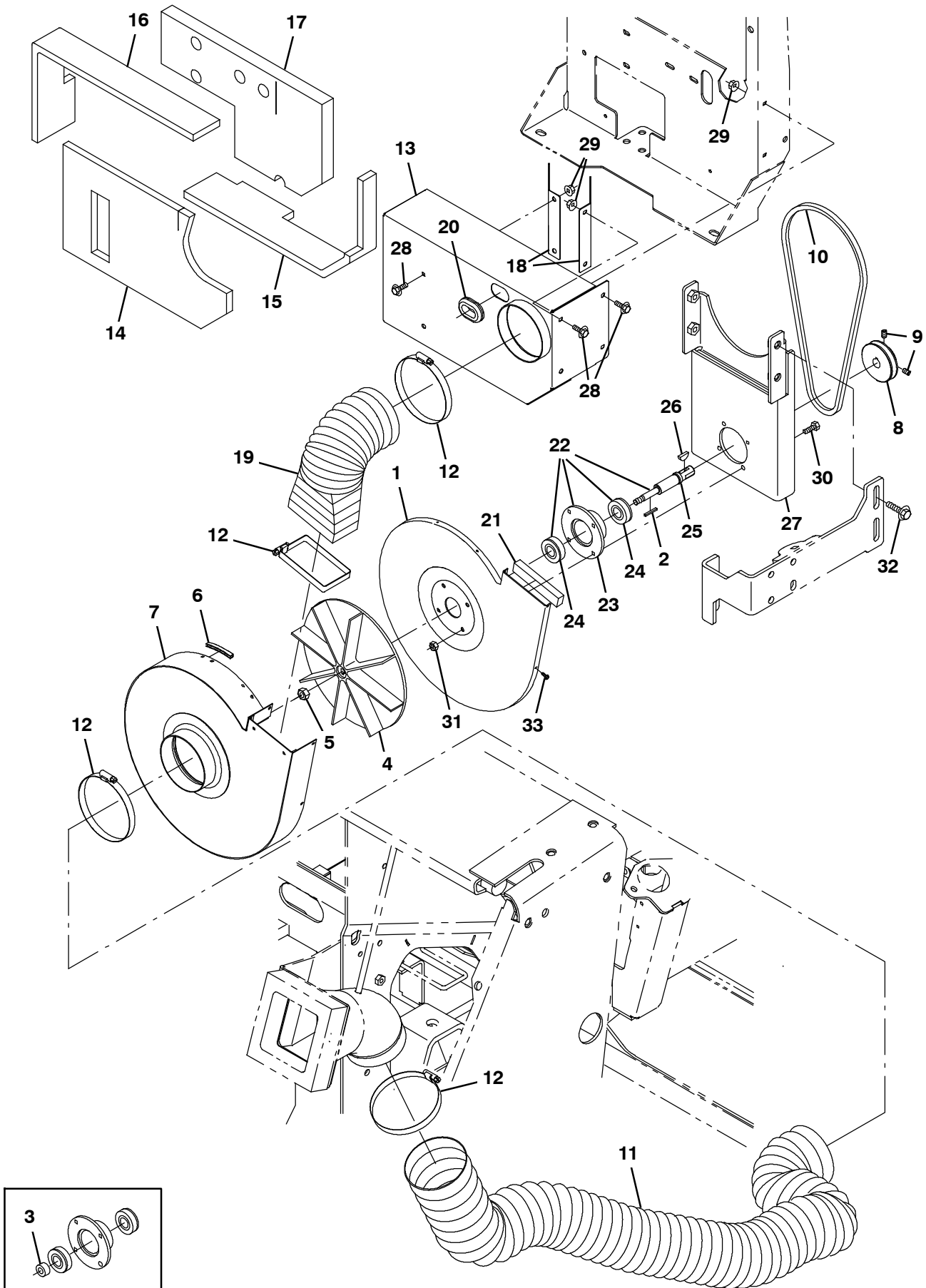


Fig. 29 - Vacuum Fan Group

Ref.	Part No.	Serial Number	Description	Qty.	
1	1052763	(000000-) Housing, Fan, Rear, Impeller	1	
2	00954	(000000-) Key, Sq, 0.12 X 0.12, 1.00l	1	
3	10362	(000000- 001456) Tube, 0.38id 0.81od 00.4l, Stl	1	
4	74454	(000000-) Impeller, 9.00d X 1.40w X 0.376b	1	
5	87299	(000000- 001456) Nut, Hex, Flexlock, .31- 24, Thin	1	
5	71244	(001457-) Nut, Hex, Flexlock, .38- 24	1	
6	59118- 6	(000000-) Molding, Trim, Pvc, .00- .06 02.2l	1	
7	1052644	(000000-) Housing Wldt, Fan	1	
8	360181	(000000- 001334) Sheave, 01grv, 02.6pd 0.63b [3v]	1	
8	361927	(001335-) Sheave, 01grv, 02.6pd 0.63b [3v]	1	
9	39338	(000000- 001334) Screw, Set, Soc, .31- 18 X 0.50, Al	2	
9	39332	(001335-) Screw, Set, Soc, .25- 20 X 0.75, Al	2	
10	1049908	(000000-) Belt, V, 37.5l [3v, 3vx]	1	
11	40870- 8	(000000-) Hose, Flex, Vacuum, 04.0d, 050.0l	1	
12	23498	(000000-) Clamp, Hose, Wormdrive, 3.56- 4.50d, .50w	4	
13	1050244	(000000-) Box Wldt, Muffler, Vacfan	1	
14	1050423	(000000-) Insulation, Acstc, .50, 14.6 X 08.1	1	
15	1050425	(000000-) Insulation, Acstc, 0.5, 20.6 X 03.3	1	
16	1050426	(000000-) Insulation, Acstc, 0.5, 21.3 X 03.3	1	
17	1050424	(000000-) Insulation, Acstc, 1.0, 14.3 X 07.9	1	
18	1050249	(000000-) Angle, Baffle	2	
19	361153	(000000-) Hose, Flex, Vacuum, 04.0d, 010.5l 4x2end	1	
20	10632- 14	(000000-) Grommet, Rbr, 1.00id, F/1.4h, .12 Matl	1	
21	361327	(000000-) Seal, Ure, 0.50, 0.75w 04.0l Adh	1	
▽	22	387387	(000000-) Shaft Assy, Brg	1
▲	23	41561	(000000-) Housing, Fling, Brg	1
▲	24	32525	(000000-) Bearing, Ball, 0.67b 1.57d 0.47w	2
▲	25	387376	(000000-) Shaft, Impeller	1
	26	00500- 10	(000000-) Key, Woodruff, 0.19 0.75 [Asa0606]	1
	27	1050165	(000000-) Channel Wldt	7
	28	1040467	(000000-) Screw, Hex, M6 X 1.00 X 20, 9.8, Sems	5
	29	07790	(000000-) Nut, Hex, Fling, M6 X 1.00	7
	30	06943	(000000-) Screw, Hex, M6 X 1.00 X 20, 8.8	4
	31	08708	(000000-) Nut, Hex, Lock, M6 X 1.00, NI	4
	32	1037358	(000000-) Screw, Hex, M10 X 1.50 X 35, 9.8, Sems	4
	33	87838	(000000-) Screw, Hex, 06- 20 X 0.50, Fmg/Ab, PI	9

Fig. 30 - Hopper Lift Arms Group

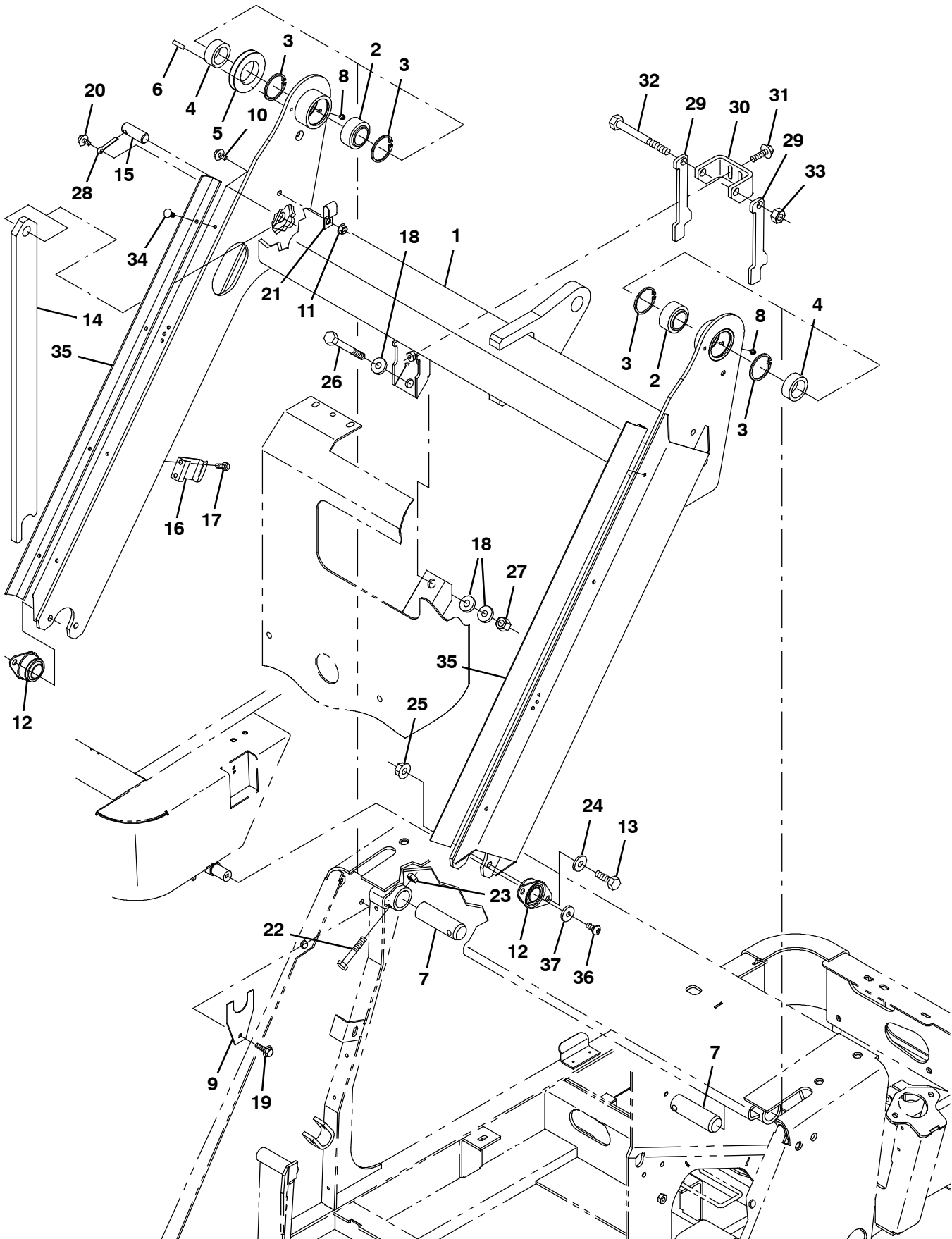


Fig. 30 - Hopper Lift Arms Group

Ref.	Part No.	Serial Number	Description	Qty.
1	9006900	(000000-) Arm, Lift, Hppr, W/ Label [S20] Na	1
1	9006902	(000000-) Arm, Lift, Hppr, W/ Label [S20] Jp	1
2	42120- 1	(000000-) Bearing, Self Align, 1.25b 2.00d	2
3	59542	(000000-) Ring, Retaining, Int, 2.00d	4
4	360455	(000000-) Sleeve, P/M, 1.25b 1.75d 0.7l [430ss]	2
5	360077	(000000-) Pulley, Cable, 3.0d 1.76b, .25d Cable	1
6	17404	(000000-) Pin, Roll, .250d X 0.75l, .250/.256	1
7	360064	(000000-) Pin, 1.25d 04.0l, 1/.34h, Stl	2
8	07259	(000000-) Fitting, Grease, Str Pm04 .47l	2
9	360768	(000000-) Plate, Spacer, Lift Arm	8
10	1020341	(000000-) Screw, Hex, M8 X 1.25 X 20, Ss, Sems	1
11	07791	(000000-) Nut, Hex, Flng, M8 X 1.25	1
12	87216	(000000-) Bearing, Flng, 2hole, 1.00b	2
13	09028	(000000-) Screw, Hex, M10 X 1.50 X 25, Ss	4
14	9007372	(000000-) Arm, Safety, Hppr, W/ Label, [S20]	1
14	9007374	(000000-) Arm, Safety, Hppr, W/ Label, Tj [S20]	1
15	360386	(000000-) Pin, 0.75d 02.0l, 1/.31h, Stl	1
16	87244	(000000-) Clip, Spring, Prop Arm	1
17	48732	(000000-) Screw, Pan, Phl, M6 X 1.00 X 10, Ss	2
18	36328	(000000-) Washer, Flat, Belleville, .50	3
19	12459	(000000-) Screw, Hex, M6 X 1.00 X 20, Fmg	2
20	74455	(000000-) Screw, Hex, M6 X 1.00 X 12, Fmg	1
21	67366	(000000-) Clamp, Cable, Stl, 1.0x2.0x0.62w, 1hole	1
22	06957	(000000-) Screw, Hex, M8 X 1.25 X 60, 8.8	2
23	08709	(000000-) Nut, Hex, Lock, M8 X 1.25, NI	2
24	32492	(000000-) Washer, Flat, 0.38, Std	4
25	07792	(000000-) Nut, Hex, Flng, M10 X 1.50	4
26	34877	(000000-) Screw, Hex, M10 X 1.50 X 100, 8.8	1
27	41430	(000000-) Nut, Hex, Lock, M10 X 1.5, NI	1
28	08361	(000000-) Pin, Cotter, .250 X 1.25	1
29	1052203	(000000-) Plate, Mtg, Pin	2
30	1052231	(000000-) Channel, Mtg, Lock	1
31	1037355	(000000-) Screw, Hex, M8 X 1.25 X 35, 9.8, Sems	2
32	12138	(000000-) Screw, Hex, M12 X 1.75 X 120, 8.8	1
33	08711	(000000-) Nut, Hex, Lock, M12 X 1.75, NI	1
34	21168	(000000-) Plug, Hole, Rnd, 0.25h 0.8l, Brb, Nyl	8
35	1053746	(000000-) Seal, Cover	2
36	17284	(001071-) Screw, Btn, M8 X 1.25 X 16, Ss	2
37	30013	(001071-) Washer, Flat, 0.31, Fendr	2

Fig. 31 - Hopper Lift Cylinder Group

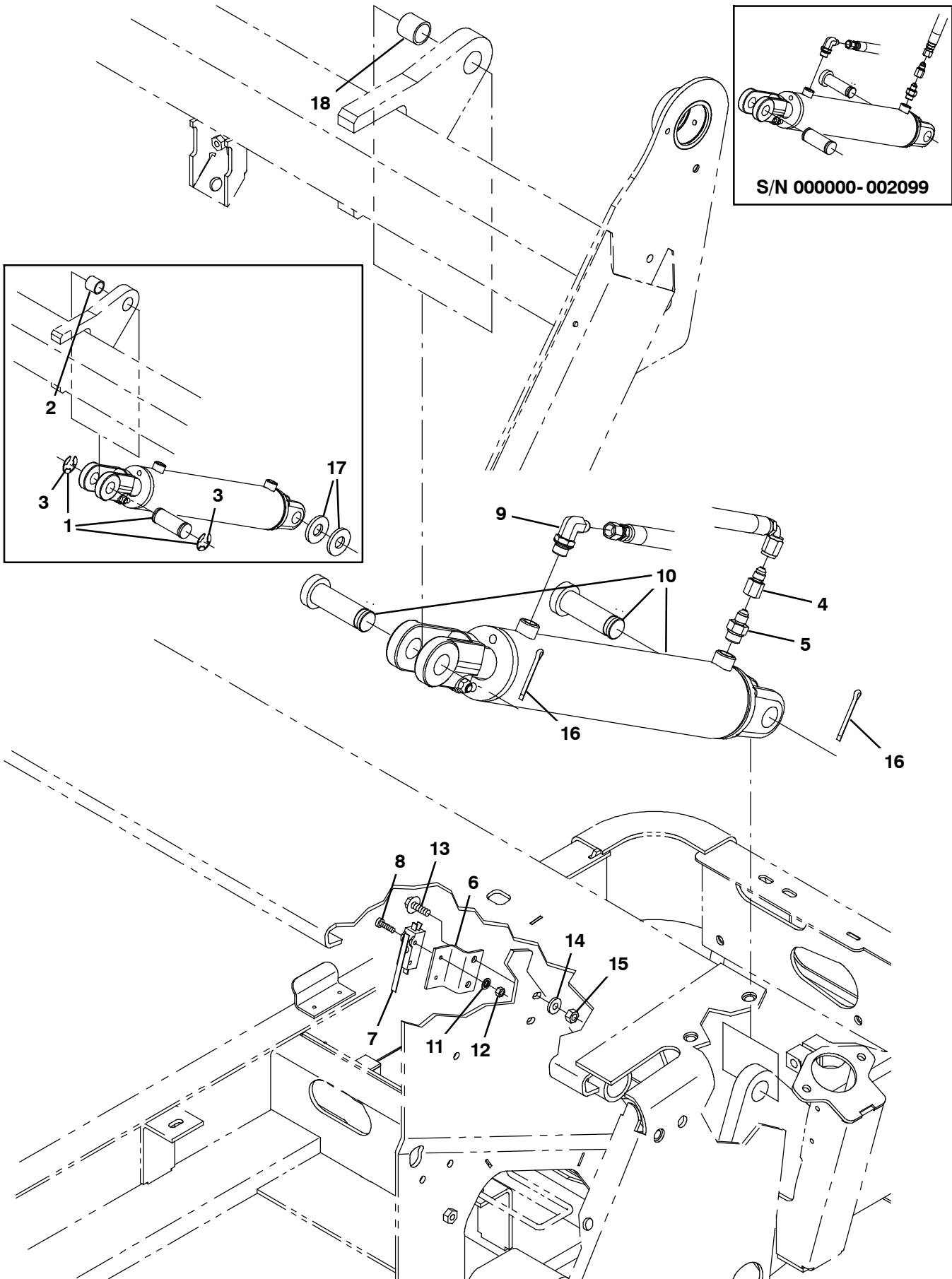


Fig. 31 - Hopper Lift Cylinder Group

	Ref.	Part No.	Serial Number	Description	Qty.
▽	1	361295	(000000- 004422)	Pin Assy, Clevis, Hppr Lift	1
▲	2	35529	(000000- 004422)	Bushing, Sleeve, 1.00b 1.13d 0.99l, Fgl	1
▲	3	23788	(000000- 004422)	Ring, Retaining, Ext, 0.98d, [E- Ring]	2
	4	1055453	(000000- 002999)	Fitting, Hyd, Rst, Jf04/Jm04, .055	1
	4	1071702	(003000-)	Fitting, Hyd, Rst, Fm04/Of04, .055	1
	5	55685	(000000- 002999)	Fitting, Hyd, Str, Jm04/Om06	1
	5	762426	(003000-)	Fitting, Hyd, Str, Fm04/Om06	1
	6	1055022	(000000-)	Bracket, Mtg, Switch	1
	7	1008142	(000000-)	Switch, Snap, 25a Spdt	1
	8	1054872	(000000-)	Screw, Pan, Phl, M3 X 0.50 X 25, Blk	2
	9	56820	(000000- 002999)	Fitting, Hyd, E90, Jm06/Om06	1
	9	762432	(003000-)	Fitting, Hyd, E90, Fm06/Om06	1
	10	1054106	(000000- 004422)	Cylinder, Hyd, 3.0b 24.8l 13.50strk 3000	1
▽	10	1072081	(004423-)	Cylinder, Hyd, 3.0b 24.8l 13.50strk 3000	1
▲		9011421	(004423-)	Seal Kit, Cyl, Hyd	1
	11	39658	(000000-)	Washer, Lock, Int, 04	2
	12	01754	(000000-)	Nut, Hex, Std, M3 X 0.50, 8	2
	13	1036892	(000000-)	Screw, Hex, M6 X 1.00 X 25, 9.8 Sems	2
	14	32490	(000000-)	Washer, Flat, 0.25, Std	2
	15	08708	(000000-)	Nut, Hex, Lock, M6 X 1.00, NI	2
	16	08298	(000000-)	Pin, Cotter, .187 X 1.75	2
	17	32598	(000000- 004422)	Washer, Flat, 1.02b 1.75d .12, Stl	2
	18	35529	(004423-)	Bushing, Sleeve, 1.00b 1.13d 0.99l, Fgl	1

Fig. 32 - Hopper Group, Plastic

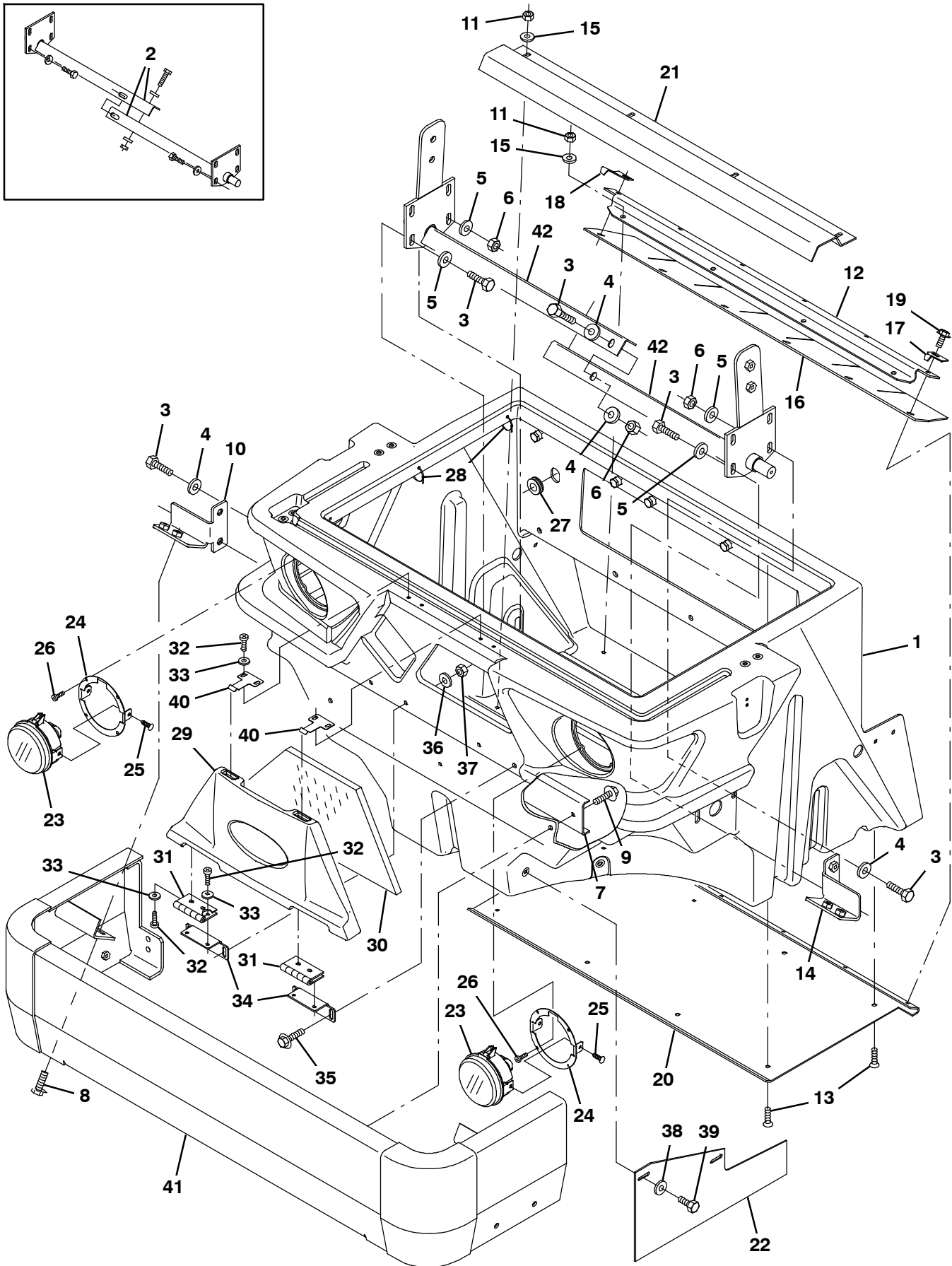


Fig. 32 - Hopper Group, Plastic

Ref.	Part No.	Serial Number	Description	Qty.	
1	1043490	(000000-) Hopper [S20]	1	
2	1048990	(000000-001070) Plate Wldt, Pivot	2	
3	12317	(000000-) Screw, Hex, M10 X 1.50 X 30, Ss	10	
4	1014563	(000000-) Washer, Flat, 0.40b 1.12d .12, Ss	4	
5	32492	(000000-) Washer, Flat, 0.38, Std	12	
6	41430	(000000-) Nut, Hex, Lock, M10 X 1.5, NI	6	
7	360602	(000000-) Plate, Sppt, Bmpr	1	
8	1037358	(000000-) Screw, Hex, M10 X 1.50 X 35, 9.8, Sems	4	
9	1037355	(000000-) Screw, Hex, M8 X 1.25 X 35, 9.8, Sems	4	
10	1049253	(000000-) Bracket, Mtg, Bmpr, Front, Rh	1	
11	08708	(000000-) Nut, Hex, Lock, M6 X 1.00, NI	8	
12	1052452	(000000-) Strip, Retainer, Hppr Lip	1	
13	06415	(000000-) Screw, Flt, Soc, M6 X 1.00 X 25, 10.9	12	
14	1049263	(000000-) Bracket, Mtg, Bmpr, Front, Lh	1	
15	32490	(000000-) Washer, Flat, 0.25, Std	8	
16	360327	(000000-) Skirt, Neo, .12, 05.20w 36.10l, 06/ SI	1	
17	360893	(000000-) Deflector, Hppr, Lh	1	
18	360894	(000000-) Deflector, Hppr, Rh	2	
19	361339	(000000-) Screw, Hex, M6 X 1.00 X 16, Fmg	6	
20	1052454	(000000-) Plate, Wear	1	
21	1048732	(000000-) Bracket, Angle, Hppr Bottom Stiffener	1	
22	1047575	(000000-) Skirt, Neo, .12 2ply, Dust- Cntrl	1	
▽	23	1029280	(000000-) Headlight, 12vdc, 35watt 2.8a, Halogen	2
▲		1060413	(000000-) Lamp, 12vdc, 37.5watt, Halogen	1
24	1045493	(000000-) Plate, Mtg, Headlight	2	
25	1066063	(000000-) Plug, Hole, Rnd, 0.25h 0.43l, Brb, Nyl	4	
26	1053318	(000000-) Screw, Pan, Phl, 08- 16 X 1.00, F/ Plstc	8	
27	10632- 18	(000000-) Grommet, Rbr, 0.69id, F/1.0h, .25 Matl	1	
28	49266	(000000-) Tie, Cable, Nyl, 07.3l .19w 1.8 Max D	8	
29	1044254	(000000-) Door, Access, Hppr	1	
30	1045365	(000000-) Seal, Door, Access	1	
31	1049102	(000000-) Hinge, .25pin .12 3.0w 03.0l, 4/0.28sl	2	
32	09200	(000000-) Screw, Pan, Phl, M5 X 0.80 X 12, Ss	12	
33	19066	(000000-) Washer, Flat, 10	12	
34	1044907	(000000-) Bracket, Mtg, Hinge	2	
35	1037354	(000000-) Screw, Hex, M8 X 1.25 X 30, 9.8, Sems	4	
36	32491	(000000-) Washer, Flat, 0.31, Std	4	
37	08709	(000000-) Nut, Hex, Lock, M8 X 1.25, NI	4	
38	30013	(000000-) Washer, Flat, 0.31, Fendr	2	
39	49826	(000000-) Screw, Hex, M8 X 1.25 X 16, NI, Ss	2	
40	1044900	(000000-) Latch, Door	2	
41	1042875	(000000-) Bumper Wldt, Front	1	
42	1058662	(001071-) Plate Wldt, Pivot	2	

Fig. 33 - Hopper Group, Steel

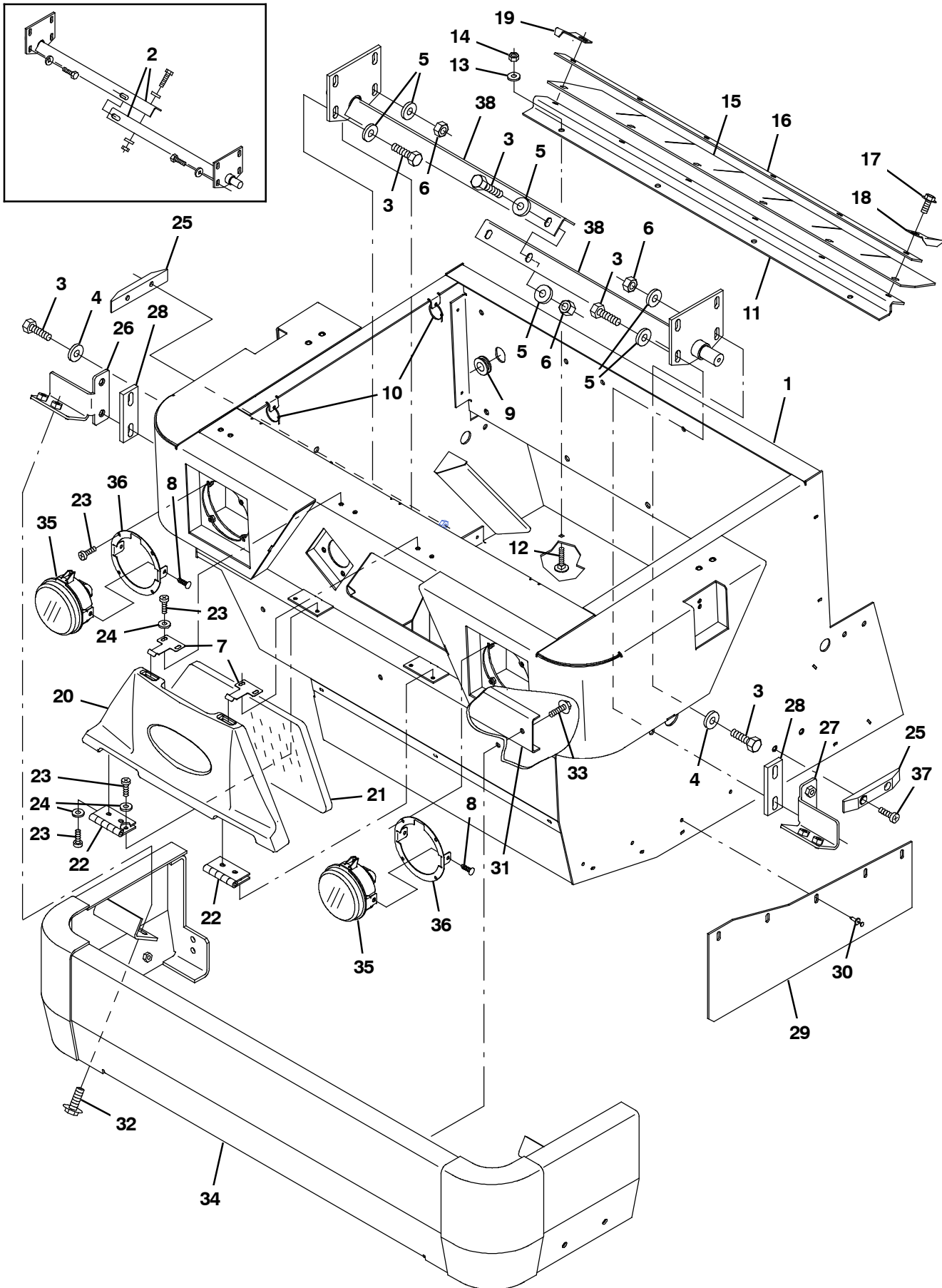


Fig. 33 - Hopper Group, Steel

Ref.	Part No.	Serial Number	Description	Qty.	
1	1048063	(000000-) Hopper Wldt, Stl	1	
2	1048990	(000000-001070) Plate Wldt, Pivot	2	
3	12317	(000000-) Screw, Hex, M10 X 1.50 X 30, Ss	10	
4	1014563	(000000-) Washer, Flat, 0.40B 1.12D .12, Ss	4	
5	32492	(000000-) Washer, Flat, 0.38, Std	12	
6	41430	(000000-) Nut, Hex, Lock, M10 X 1.5, NI	6	
7	1044900	(000000-) Latch, Door	2	
8	1066063	(000000-) Plug, Hole, Rnd, 0.25h 0.43l, Brb, Nyl	4	
9	10632- 18	(000000-) Grommet, Rbr, 0.69id, F/1.0h, .25 Matl	1	
10	49266	(000000-) Tie, Cable, Nyl, 07.3l .19w 1.8 Max D	8	
11	1050409	(000000-) Bracket, Retainer, Hppr, Lip	1	
12	379791	(000000-) Bolt, Carriage, M06 X 1.00 X 30	4	
13	32490	(000000-) Washer, Flat, 0.25, Std	4	
14	08708	(000000-) Nut, Hex, Lock, M6 X 1.00, NI	4	
15	1050412	(000000-) Skirt, Hppr, Lip	1	
16	1050417	(000000-) Plate, Retainer, Hppr, Lip	1	
17	16735	(000000-) Screw, Hex, M8 X 1.25 X 16, 8.8	6	
18	360893	(000000-) Deflector, Hppr, Lh	1	
19	360894	(000000-) Deflector, Hppr, Rh	1	
20	1044254	(000000-) Door, Access, Hppr	1	
21	1045365	(000000-) Seal, Door, Access	1	
22	1049102	(000000-) Hinge, .25pin .12 3.0w 03.0l, 4/0.28sl	2	
23	09200	(000000-) Screw, Pan, Phl, M5 X 0.80 X 12, Ss	16	
24	19066	(000000-) Washer, Flat, 10	4	
25	1021327	(000000-) Block, Guide, Hppr	2	
26	1049253	(000000-) Bracket, Mtg, Bmpr, Front, Rh	1	
27	1049263	(000000-) Bracket, Mtg, Bmpr, Front, Lh	1	
28	1048519	(000000-) Plate, Spacer	2	
29	1056194	(000000-) Skirt, Neo, .12, 08.00W 29.50L, 06/ SL	1	
30	72968	(000000-) Rivet, Plstc, .250d X 0.90	6	
31	360602	(000000-) Plate, Sppt, Bmpr	1	
32	1037358	(000000-) Screw, Hex, M10 X 1.50 X 35, 9.8, Sems	4	
33	1037355	(000000-) Screw, Hex, M8 X 1.25 X 35, 9.8, Sems	4	
34	1042875	(000000-) Bumper Wldt, Front	1	
▽	35	1029280	(000000-) Headlight, 12vdc, 35watt 2.8a, Halogen	2
▲	1060413	(000000-) Lamp, 12vdc, 37.5watt, Halogen	1	
	36	1045493	(000000-) Plate, Mtg, Headlight	2
	37	367771	(000000-) Screw, Pan, Phl, M8 X 1.25 X 25, Ss	4
	38	1070338	(001071-) Plate Wldt, Pivot, Stl Hppr	2

Fig. 34 - Hopper Cover Group

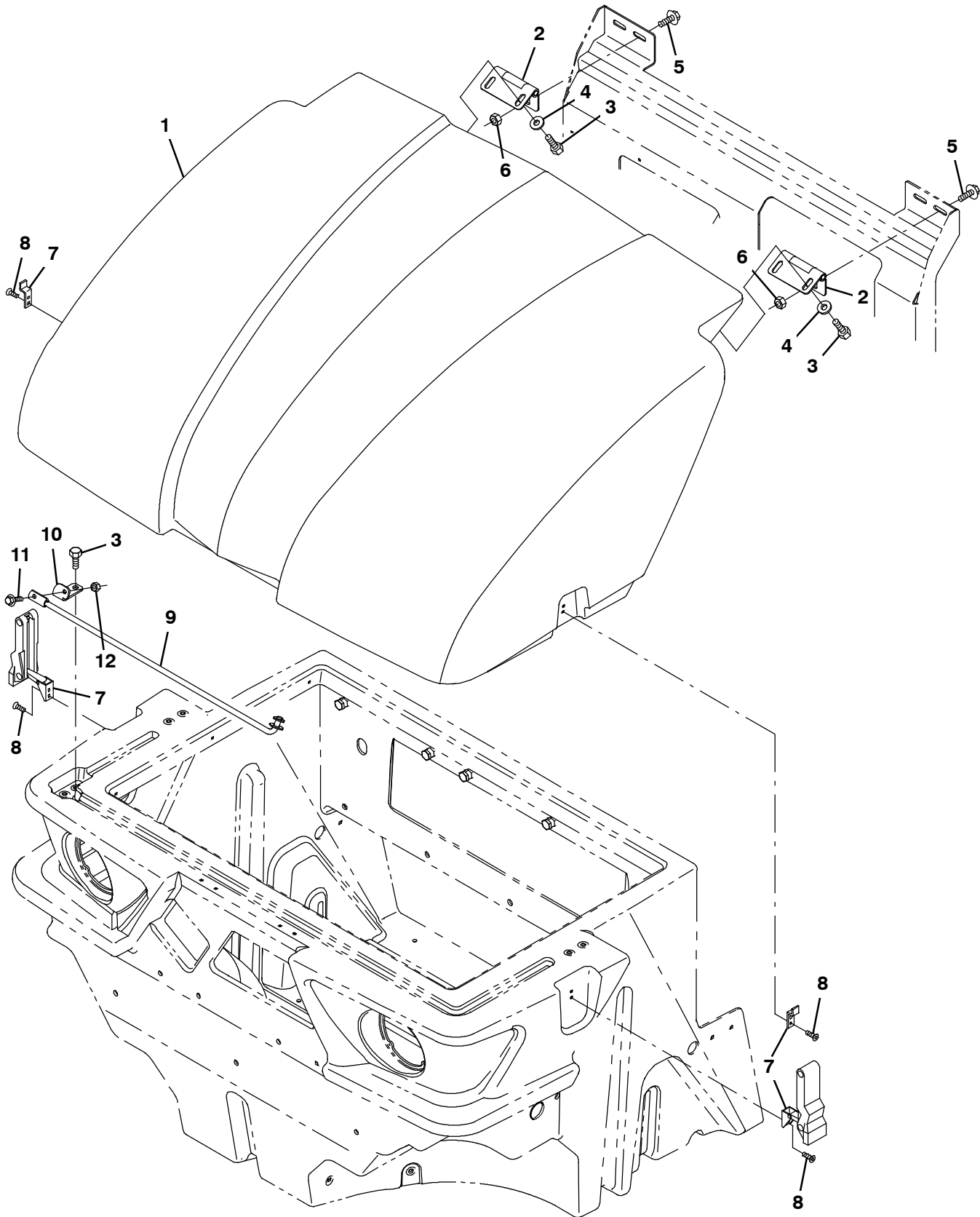


Fig. 34 - Hopper Cover Group

Ref.	Part No.	Serial Number	Description	Qty.
1	1043938	(000000-) Cover, Hppr	1
2	1044214	(000000-) Hinge, .38pin .12 3.5w 4.0l [Oal]	2
3	16735	(000000-) Screw, Hex, M8 X 1.25 X 16, 8.8	6
4	32491	(000000-) Washer, Flat, 0.31, Std	8
5	1037346	(000000-) Screw, Hex, M8 X 1.25 X 25, 9.8, Sems	4
6	07791	(000000-) Nut, Hex, Fling, M8 X 1.25	4
7	360824	(000000-) Latch	2
8	09200	(000000-) Screw, Pan, Phl, M5 X 0.80 X 12, Ss	8
9	1045434	(000000-) Rod Wldt, Safety, Hppr Cover	1
10	1045423	(000000-) Bracket, Rod, Safety	1
11	1036892	(000000-) Screw, Hex, M6 X 1.00 X 25, 9.8, Sems	1
12	08708	(000000-) Nut, Hex, Lock, M6 X 1.00, NI	1

Fig. 35 - Hopper Support Group (001071-)

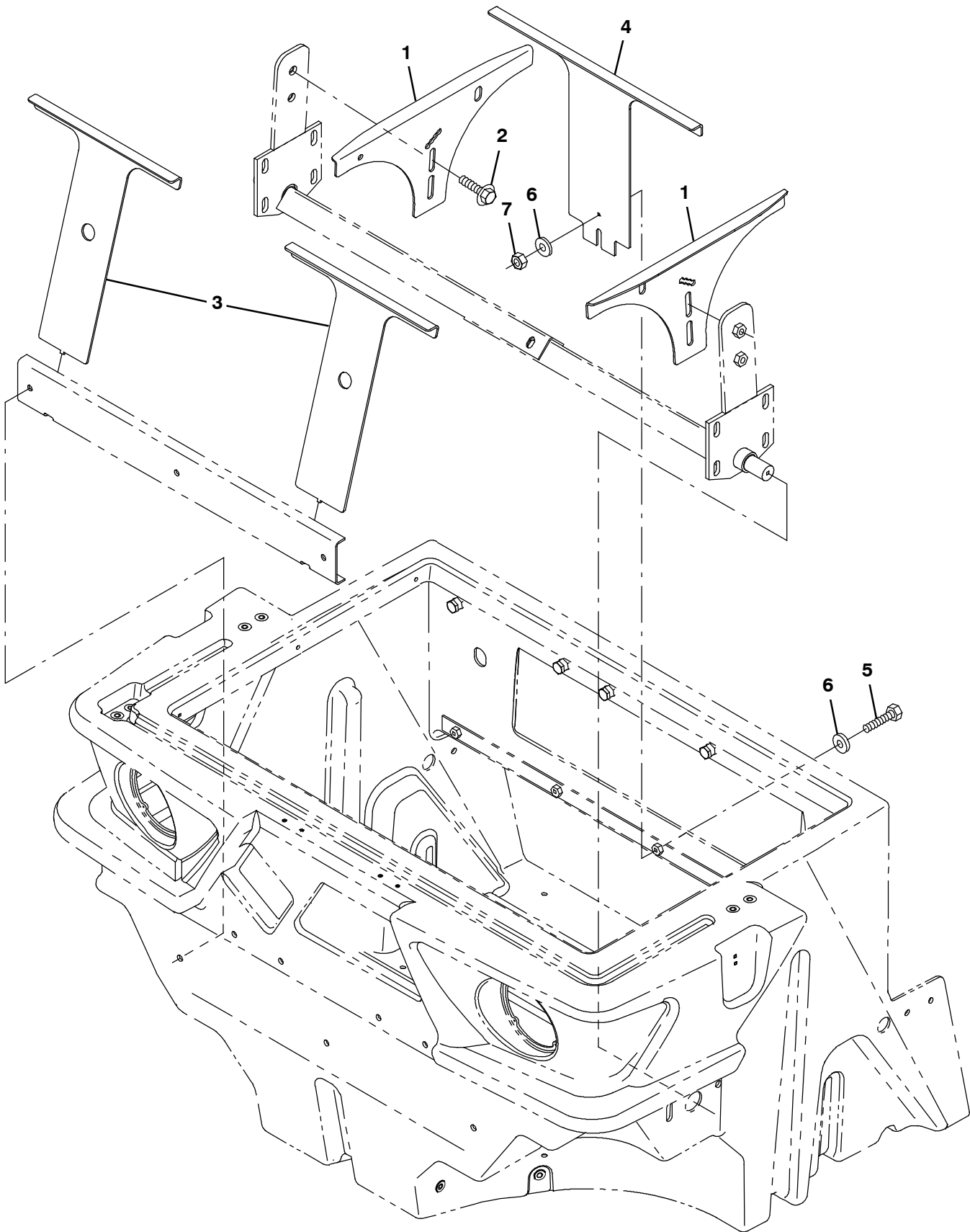


Fig. 35 - Hopper Support Group (001071-)

Ref.	Part No.	Serial Number	Description	Qty.
1	1060278	(001071-) Support, Hppr, Lip, Side	2
2	1037358	(001071-) Screw, Hex, M10 X 1.50 X 35, 9.8, Sems	4
3	1059119	(001071-) Support, Hppr, Lip, Front	2
4	1059158	(001071-) Support, Hppr, Lip, Back	1
5	04375	(001071-) Screw, Hex, M8 X 1.25 X 40, 8.8, FI	1
6	32491	(001071-) Washer, Flat, 0.31, Std	2
7	08709	(001071-) Nut, Hex, Lock, M8 X 1.25, NI	1

Fig. 36 - Hopper Dump Door Group

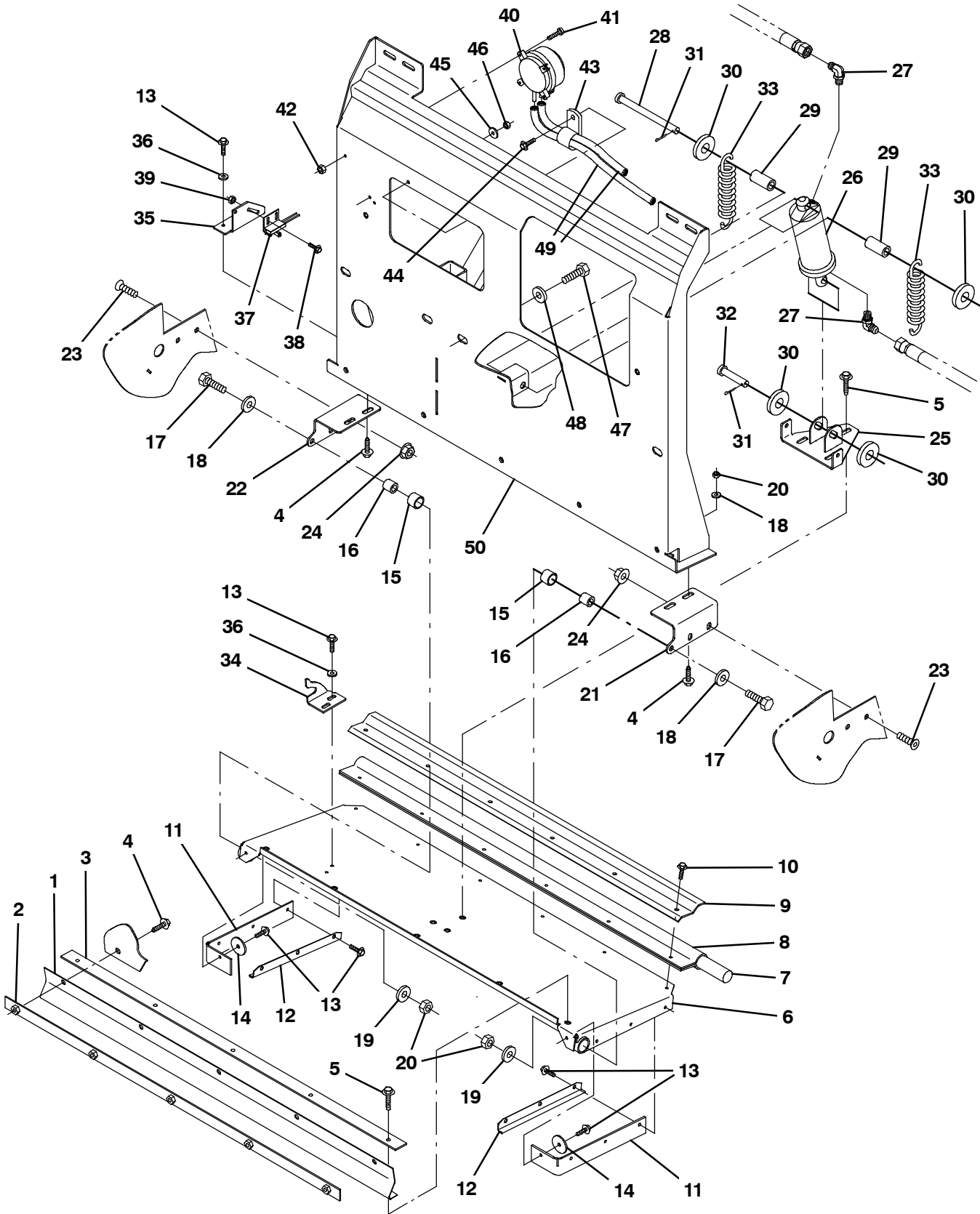


Fig. 36 - Hopper Dump Door Group

Ref.	Part No.	Serial Number	Description	Qty.
1	360336	(000000-) Seal	1
2	1047280	(000000-) Strip Wldt, Seal, Door	1
3	1051115	(000000-) Strip, Retainer	1
4	1037354	(000000-) Screw, Hex, M8 X 1.25 X 30, 9.8, Sems	9
5	1037346	(000000-) Screw, Hex, M8 X 1.25 X 25, 9.8, Sems	8
6	1051045	(000000-) Door Wldt, Dump, Hppr	1
7	87689	(000000-) Cord, Sponge, Neo, 1.0d 36.3l	1
8	360603	(000000-) Seal, Rbr, .13 6.34w 36.3l, 12/.28h, Red	1
9	1052446	(000000-) Strip, Retainer, Dump Door	1
10	12459	(000000-) Screw, Hex, M6 X 1.00 X 20, Fmg	6
11	1055583	(000000-) Seal, Rbr, Clsd, 0.13, Door, Dump, Side	2
12	360424	(000000-) Retainer, Seal, Hppr Door, Side	2
13	74455	(000000-) Screw, Hex, M6 X 1.00 X 12, Fmg	12
14	41178	(000000-) Washer, Flat, 0.25, Fendr	2
15	64379	(000000-) Bushing, Sleeve, 0.75b 0.88d 0.75l, Tef	2
16	87104	(000000-) Tube, 0.38id 0.75od 00.9l, Stl	2
17	09026	(000000-) Screw, Hex, M8 X 1.25 X 40, Ss	2
18	32491	(000000-) Washer, Flat, 0.31, Std	6
19	32492	(000000-) Washer, Flat, 0.38, Std	2
20	08709	(000000-) Nut, Hex, Lock, M8 X 1.25, NI	6
21	1050243	(000000-) Bracket, Angle, Pivot, Door, Dump, Lh	1
22	1050242	(000000-) Bracket, Angle, Pivot, Door, Dump, Rh	1
23	79246	(000000-) Screw, Flt, Soc, M8 X 1.25 X 20, 18- 8,Ss	4
24	07791	(000000-) Nut, Hex, Flng, M8 X 1.25	4
25	1051049	(000000-) Bracket, Mtg, Cyl	1
26	1038176	(000000-) Cylinder, Hyd, 2.0b 08.0l 04.00strk 2500	1
27	77097	(000000- 002999) Fitting, Hyd, E90, Jm04/Om04	2
27	762427	(003000-) Fitting, Hyd, E90, Fm04/Om04	2
28	51225- 1	(000000-) Pin, Clevis, 0.50d X 6.00l	1
29	360848	(000000-) Spacer, 0.56b 0.88d 1.82l, Pl	2
30	32486	(000000-) Washer Flat,0.50,Sae	4
31	08182	(000000-) Pin, Cotter, .125 X 1.00	2
32	11211	(000000-) Pin, Clevis, 0.50d X 2.25l	1
33	360606	(000000-) Spring, Tens	2
34	1051773	(000000-) Bracket, Door, Indicator	1
35	1051766	(000000-) Bracket, Door, Indicator	1
36	32490	(000000-) Washer, Flat, 0.25, Std	4
37	59965	(000000-) Switch, Snap, 15a No, Rlr	1
38	09244	(000000-) Screw, Hex, M5 X 0.80 X 16, 8.8	2
39	06549	(000000-) Nut, Hex, Lock, M5 X 0.80, NI	2
40	1052885	(000000-) Switch, Press, Adj [4- 16 In Wtr]	1
41	06927	(000000-) Screw, Pan, Phl, M4 X 0.70 X 16, 4.8	2
42	02850	(000000-) Nut, Hex, Lock, M4 X 0.70, NI	2
43	67767	(000000-) Clamp, Cable, Stl, 0.69d X 0.62w, 1hole	1
44	1036892	(000000-) Screw, Hex, M6 X 1.00 X 25, 9.8 Sems	1
45	32490	(000000-) Washer, Flat, 0.25, Std	1
46	08708	(000000-) Nut, Hex, Lock, M6 X 1.00, NI	1
47	15675	(000000-) Screw, Hex, M8 X 1.25 X 16, Ss	5
48	1014563	(000000-) Washer, Flat, 0.40b 1.12d .12, Ss	5
49	379719	(000000-) Hose, Vacuum, 0.16id X 060.0l	1
50	1044273	(000000-) Plate Wldt, Back, Hppr	1

Fig. 37 - Hopper Filter Shaker Group

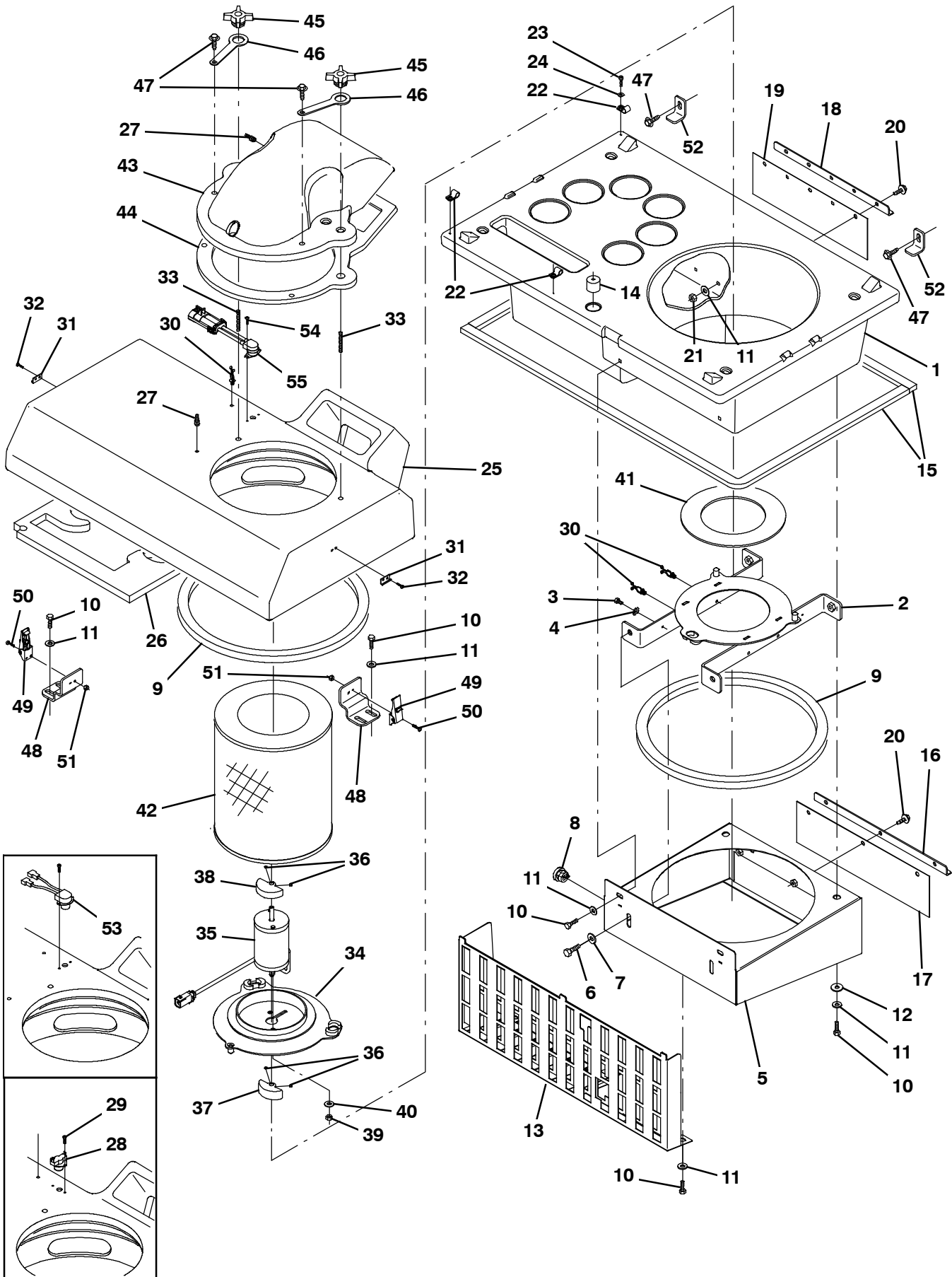


Fig. 37 - Hopper Filter Shaker Group

Ref.	Part No.	Serial Number	Description	Qty.
1	1043815	(000000-) Tray, Mold	1
2	1044285	(000000-) Tray, Dust, Shagr	1
3	74455	(000000-) Screw, Hex, M6 X 1.00 X 12, Fmg	1
4	41140	(000000-) Washer, Lock, Int- Ext, 0.25	1
5	1043383	(000000-) Tray Wldt, Dust [Cyclone]	1
6	06961	(000000-) Screw, Hex, M10 X 1.50 X 20, 8.8	4
7	32492	(000000-) Washer, Flat, 0.38, Std	6
8	1051199	(000000-) Strainrelief	1
9	1057960	(000000-) Gasket, Tray	2
10	16735	(000000-) Screw, Hex, M8 X 1.25 X 16, 8.8	11
11	32491	(000000-) Washer, Flat, 0.31, Std	16
12	30013	(000000-) Washer, Flat, 0.31, Fendr	2
13	1039250	(000000-) Plate Wldt, Perma- Filter	1
14	1049982	(000000-) Seal, Foam	1
15	1050106	(000000-) Gasket, Tray	2
16	1042282	(000000-) Retainer, Seal, Dust, .12 X 0.8w X 33.6l	1
17	1042285	(000000-) Seal Assy, Pre- Filter	1
18	1049408	(000000-) Retainer, Seal, Dust, .12 X 0.8w X 33.6l	1
19	1049409	(000000-) Seal Assy, Pre- Filter	1
20	1037355	(000000-) Screw, Hex, M8 X 1.25 X 35, 9.8, Sems	8
21	08709	(000000-) Nut, Hex, Lock, M8 X 1.25, NI	5
22	67767	(000000-) Clamp, Cable, Stl, 0.69d X 0.62w, 1hole	3
23	360943	(000000-) Screw, Pan, Phl, 10- 14 X 0.75, F/ Plstc	1
24	19066	(000000-) Washer, Flat, 10	1
25	1043818	(000000-) Cover, Mold	1
26	1057959	(000000-) Gasket, Tray	1
27	40607	(000000-) Fitting, Brs, Str, Bm03/Pm02	2
28	87546	(000000- 001070)) Sensor, Thermal, 140deg, No, Spst	1
29	360973	(000000- 001070)) Screw, Pan, 12- 16 X 0.50, F/ Plstc	2
30	30406	(000000-) Clip, Keeper	3
31	384419	(000000-) Bracket, Latch, Keeper [Southco]	2
32	49697	(000000-) Screw, Pan, Phl, M4 X 0.70 X 10, Ss	4
33	1049860	(000000-) Stud, M8 X 1.25 [55.0]	2
34	1044352	(000000-) Bracket Wldt, Fltr	1
35	1044360	(000000-) Motor, Ele, 12Vdc 2315Rpm0.10Hp 08.9A	1
36	39322	(000000-) Screw, Set, Soc, 10- 24 X 0.38, Al	4
37	1053321	(000000-) Weight, Eccentric, Pntd	1
38	1053291	(000000-) Weight, Eccentric, Pntd	1
39	86618	(000000-) Nut, Hex, Lock, #10- 32, NI	2
40	07514	(000000-) Washer, Lock, Int, 10, Ss	2
41	1044351	(000000-) Spacer, Fltr	1
42	1045900	(000000-) Filter, Cyl, 11.09d, 13.31l, 6.724 ld	1
43	1043819	(000000-) Elbow, Mold	1
44	1044356	(000000-) Gasket, Cover	1
45	1048335	(000000-) Knob, Star, 2.75d 4ear 1.1l M8x1.25	2
46	1048353	(000000-) Strap, Rbr	2
47	1037346	(000000-) Screw, Hex, M8 X 1.25 X 25, 9.8, Sems	4
48	1044146	(000000-) Bar, Cover	1
49	384418	(000000-) Latch, Door [Southco 91- 562- 07]	2
50	24265	(000000-) Screw, Pan, Phl, M4 X 0.70 X 16, Ss	4
51	02850	(000000-) Nut, Hex, Lock, M4 X 0.70, NI	4
52	1052919	(000000-) Bracket, Tray	2
53	1056298	(001071- 001361)) Switch, Temp, Sealed, Nc	1
54	763149	(001071-) Screw, Pan, 06- X 0.38, F/ Plstc	2
55	1061575	(001362-) Switch, Temp, Sealed, Nc	1

Fig. 38 - Hydraulic Pump Linkage Group

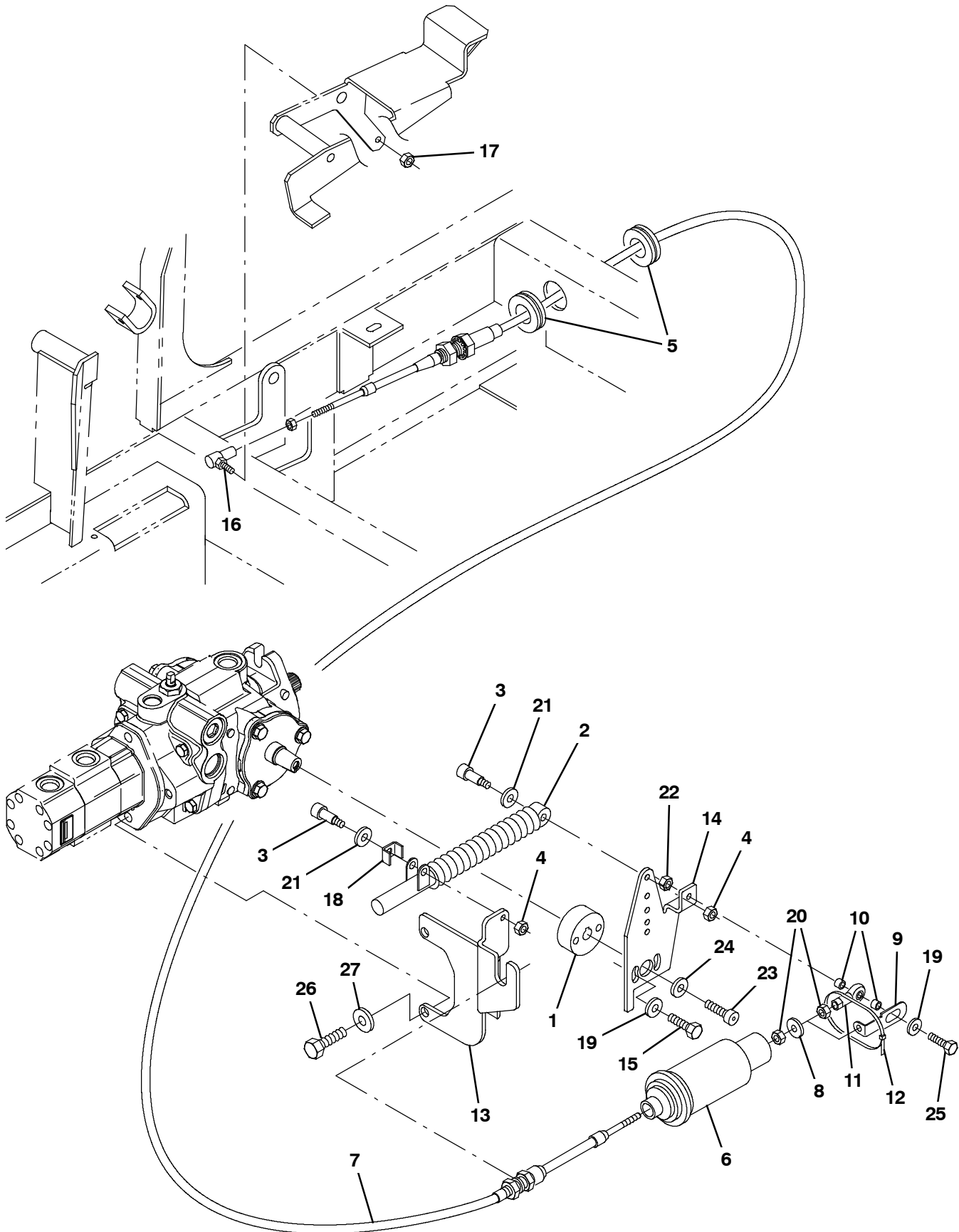
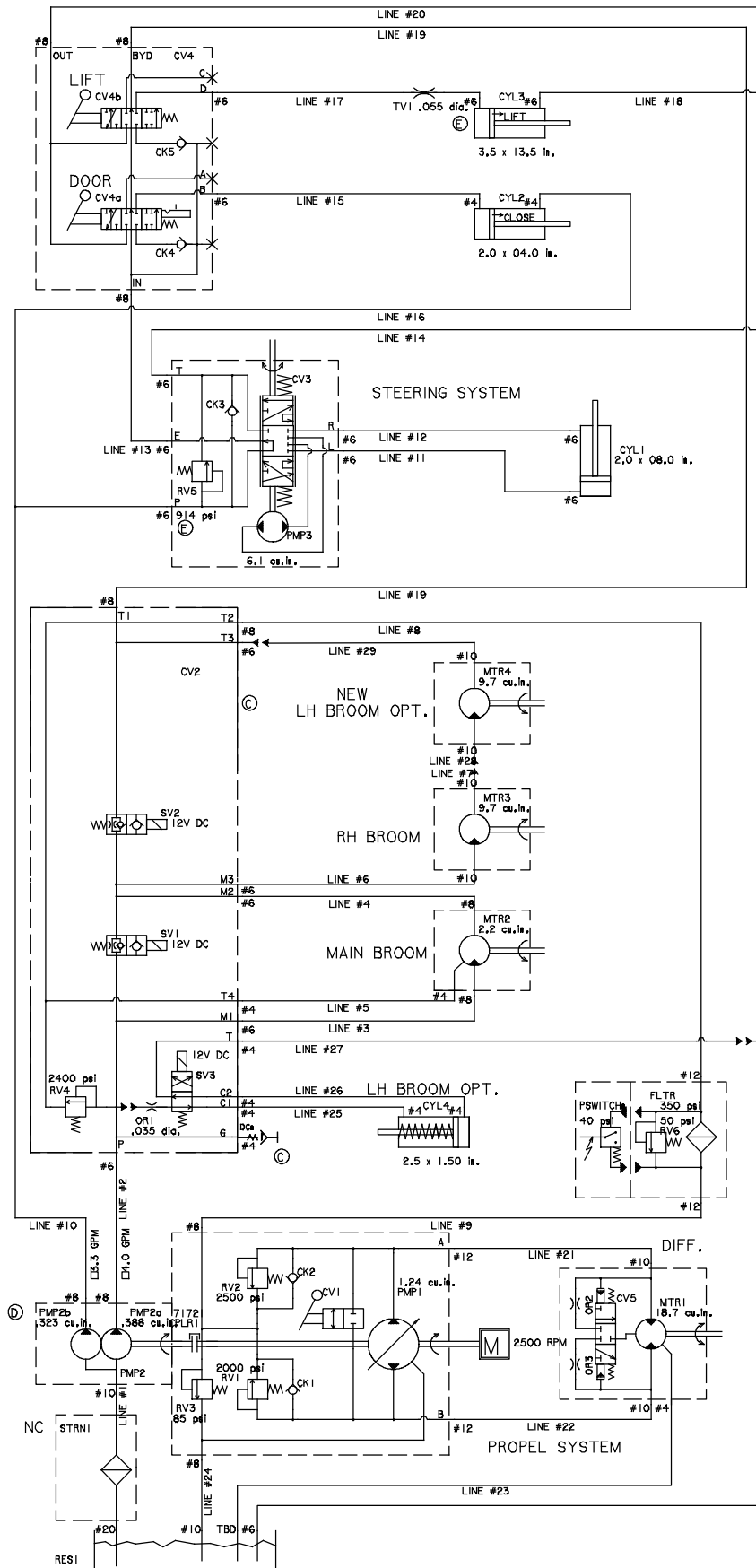


Fig. 38 - Hydraulic Pump Linkage Group

Ref.	Part No.	Serial Number	Description	Qty.
1	72728	(000000-) Hub, Mtg, Arm, Cntrl, Pintle	1
2	73411	(000000-) Shock Absorber, 2.3 Strk	1
3	16213	(000000-) Bolt, Shld, .31d X 1.00, .25- 20	2
4	75934	(000000-) Nut, Hex, Lock, .25- 20, NI	2
5	10632- 1	(000000-) Grommet, Rbr, 1.06id, F/1.4h, .19 Matl	2
6	1058032	(000000-) Spring Assy, Centering10/15 Lb Preload]	1
7	360442	(000000-) Cable, Push / Pull, 092.0l .25- 28/.25- 28	1
8	78785	(000000-) Washer, Flat, 0.25b 0.88d .06, Neo	1
9	83887	(000000-) Bracket, Clip, Safety	1
10	65441	(000000-) Tube, 0.26id 0.38od 00.3l, Stl, PI	2
11	68866	(000000-) Rod- End, 0.25- 28rh Fem 0.25b [Teflon]	1
12	49266	(000000-) Tie, Cable, Nyl, 07.3l .19w 1.8 Max D	1
13	1046046	(000000-) Bracket, Mtg, Cable, Propel	1
14	1046635	(000000-) Bracket, Mtg, Cable, Propel	1
15	16931	(000000-) Screw, Hex, M8 X 1.25 X 20, 8.8	2
16	14601	(000000-) Balljoint, .25- 28 Fem, .25- 28 Mal	1
17	13513	(000000-) Nut, Hex, Lock, .25- 28, NI	1
18	84170	(000000-) Bracket, Retainer, Safety	1
19	32490	(000000-) Washer, Flat, 0.25, Std	3
20	01714	(000000-) Nut, Hex, Std, .25- 28	3
21	39349	(000000-) Washer, Flat, 0.31, Sae	2
22	32981	(000000-) Nut, Hex, Lock, .25- 20, NI	1
23	39987	(000000-) Screw, Soc, .31- 24 X 0.75, Al	1
24	1050933	(000000-) Washer, Flat, 0.33b 0.75d .12, Stl, PI	1
25	25049	(000000-) Screw, Hex, .25- 20 X 1.75, G5	1
26	27988	(000000-) Screw, Hex, .38- 16 X 1.50, G5	2
27	32485	(000000-) Washer, Flat, 0.38, Sae	2

Fig. 39 - Hydraulic Schematic



354979 - 1048768

Fig. 40 - Hydraulic Hose Group (000000-002999)

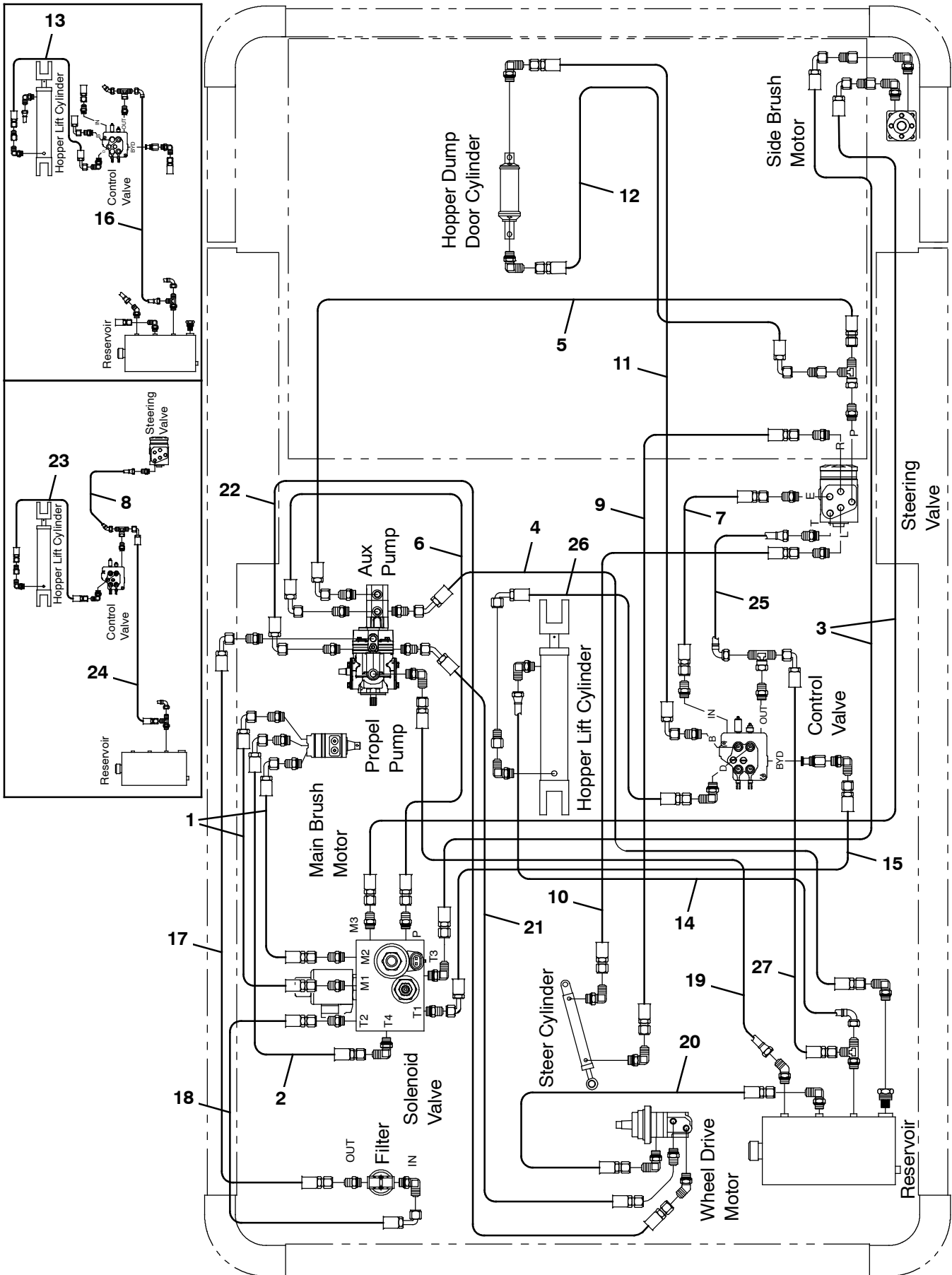


Fig. 40 - Hydraulic Hose Group (000000-002999)

Ref.	Part No.	Serial Number	Description	Qty.
1	361040	(000000-002999)	Hose, Hyd, Tc06, Jf06e90/Jf06str, 034.0	2
2	361009	(000000-002999)	Hose, Hyd, Tc04, Jf04e90/Jf04str, 036.0	1
3	361041	(000000-002999)	Hose, Hyd, Med06, Jf06e90/Jf06str, 114.0	2
4	361042	(000000-002999)	Hose, Hyd, Suc12, Jf12e45/Jf12str, 048.0	1
5	1052527	(000000-002999)	Hose, Hyd, Tc06, Jf06e90/Jf06str, 032.0	1
6	1052524	(000000-002999)	Hose, Hyd, Tc06, Jf06e90/Jf06str, 029.0	1
7	361044	(000000-002999)	Hose, Hyd, Med06, Jf06str/Jf06str, 018.0	1
8	361086	(000000-002099)	Hose, Hyd, Med06, Jf06e45/Jf06str, 017.0	1
9	1046155	(000000-002999)	Hose, Hyd, Tc06, Jf06str/Jf06str, 039.0	1
10	1046156	(000000-002999)	Hose, Hyd, Tc06, Jf06str/Jf06str, 032.0	1
11	1027321	(000000-002999)	Hose, Hyd, Tc04, Jf04str/Jf04e90, 070.0	1
12	57962	(000000-002999)	Hose, Hyd, Med04, Jf04e90/Jf04str, 064.0	1
13	1045707	(000000-001239)	Hose, Hyd, Tc04, Jf04e90/Jf04str, 025.0	1
14	9000351	(000000-002999)	Hose, Hyd, Tc06, Jf06e90/Jf06str, 028.0	1
15	1045478	(000000-002999)	Hose, Hyd, Med06, Jf06e90/Jf06str, 042.0	1
16	1047709	(000000-001239)	Hose, Hyd, Med06, Jf06e90/Jf06str, 044.0	1
17	1047676	(000000-002999)	Hose, Hyd, Med08, Jf08e90/Jf08str, 072.0	1
18	1047578	(000000-002999)	Hose, Hyd, Med08, Jf08e90/Jf08str, 048.0	1
19	1049795	(000000-002999)	Hose, Hyd, Med08, Jf08str/Jf08str, 036.0	1
20	1051572	(000000-002999)	Hose, Hyd, Med04, Jf04str/Jf04str, 060.0	1
21	361052	(000000-002999)	Hose, Hyd, Tc10, Jf10e45/Jf10str, 056.0	1
22	361050	(000000-002999)	Hose, Hyd, Tc10, Jf10e90/Jf10str, 074.0	1
23	1036903	(001240-002099)	Hose, Hyd, Tc04, Jf04str/Jf04str, 025.0	1
24	1045478	(001240-002099)	Hose, Hyd, Med06, Jf06e90/Jf06str, 042.0	1
25	01999	(002100-002999)	Hose, Hyd, Med06, Jf06e90/Jf06str, 020.0	1
26	387281	(002100-002999)	Hose, Hyd, Tc04, Jf04e90/Jf04str, 020.0	1
27	31598	(002100-002999)	Hose, Hyd, Tc04, Jf04e90/Jf04str, 020.0	1

Fig. 41 - Hydraulic Hose Group (003000-)

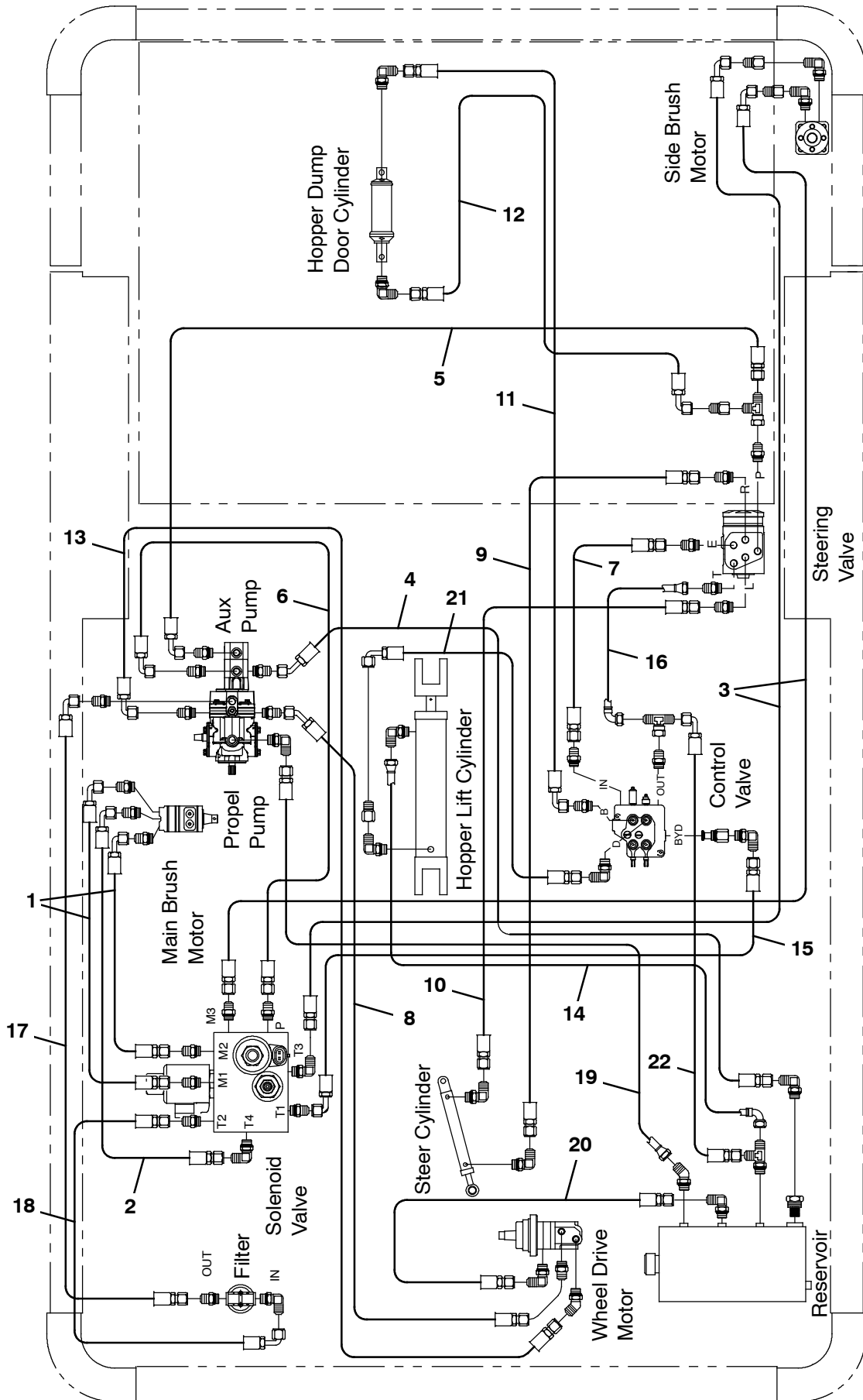


Fig. 40 - Hydraulic Hose Group (003000-)

Ref.	Part No.	Serial Number	Description	Qty.
1	1071718	(003000-) Hose, Hyd, Tc06, Of06e90/Of06str, 34.0	2
2	1071719	(003000-) Hose, Hyd, Tc04, Of04e90/Of04str, 36.0	1
3	1071720	(003000-) Hose, Hyd, Med06, Of06e90/Of06str, 114.0	2
4	1071728	(003000-) Hose, Hyd, Suc12, Of12e45/Of12str, 048.0	1
5	1071729	(003000-) Hose, Hyd, Tc06, Of06e90/Of06str, 032.0	1
6	1071730	(003000-) Hose, Hyd, Tc06, Of06e90/Of06str, 029.0	1
7	1071731	(003000-) Hose, Hyd, Med06, Of06str/Of06str, 018.0	1
8	1071742	(003000-) Hose, Hyd, Tc10, Of10e45/Of10str, 056.0	1
9	1071732	(003000-) Hose, Hyd, Tc06, Of06str/Of06str, 039.0	1
10	1071733	(003000-) Hose, Hyd, Tc06, Of06str/Of06str, 032.0	1
11	1071734	(003000-) Hose, Hyd, Tc04, Of04str/Of04e90, 070.0	1
12	1071735	(003000-) Hose, Hyd, Med04, Of04e90/Of04str, 064.0	1
13	1071743	(003000-) Hose, Hyd, Tc10, Of10e90/Of10str, 074.0	1
14	1071736	(003000-) Hose, Hyd, Tc06, Of06e90/Of06str, 028.0	1
15	1071737	(003000-) Hose, Hyd, Med06, Of06e90/Of06str, 042.0	1
16	1071748	(003000-) Hose, Hyd, Med06, Of06e90/Of06str, 020.0	1
17	1071738	(003000-) Hose, Hyd, Med08, Of08e90/Of08str, 072.0	1
18	1071739	(003000-) Hose, Hyd, Med08, Of08e90/Of08str, 048.0	1
19	1071740	(003000-) Hose, Hyd, Med08, Of08str/Of08str, 036.0	1
20	1071741	(003000-) Hose, Hyd, Med04, Of04str/Of04str, 060.0	1
21	1071744	(003000-) Hose, Hyd, Tc04, Of04e90/Of04str, 020.0	1
22	1071745	(003000-) Hose, Hyd, Med06, Of06e90/Of06str, 036.0	1

Fig. 42 - Hydraulic Pumps Group

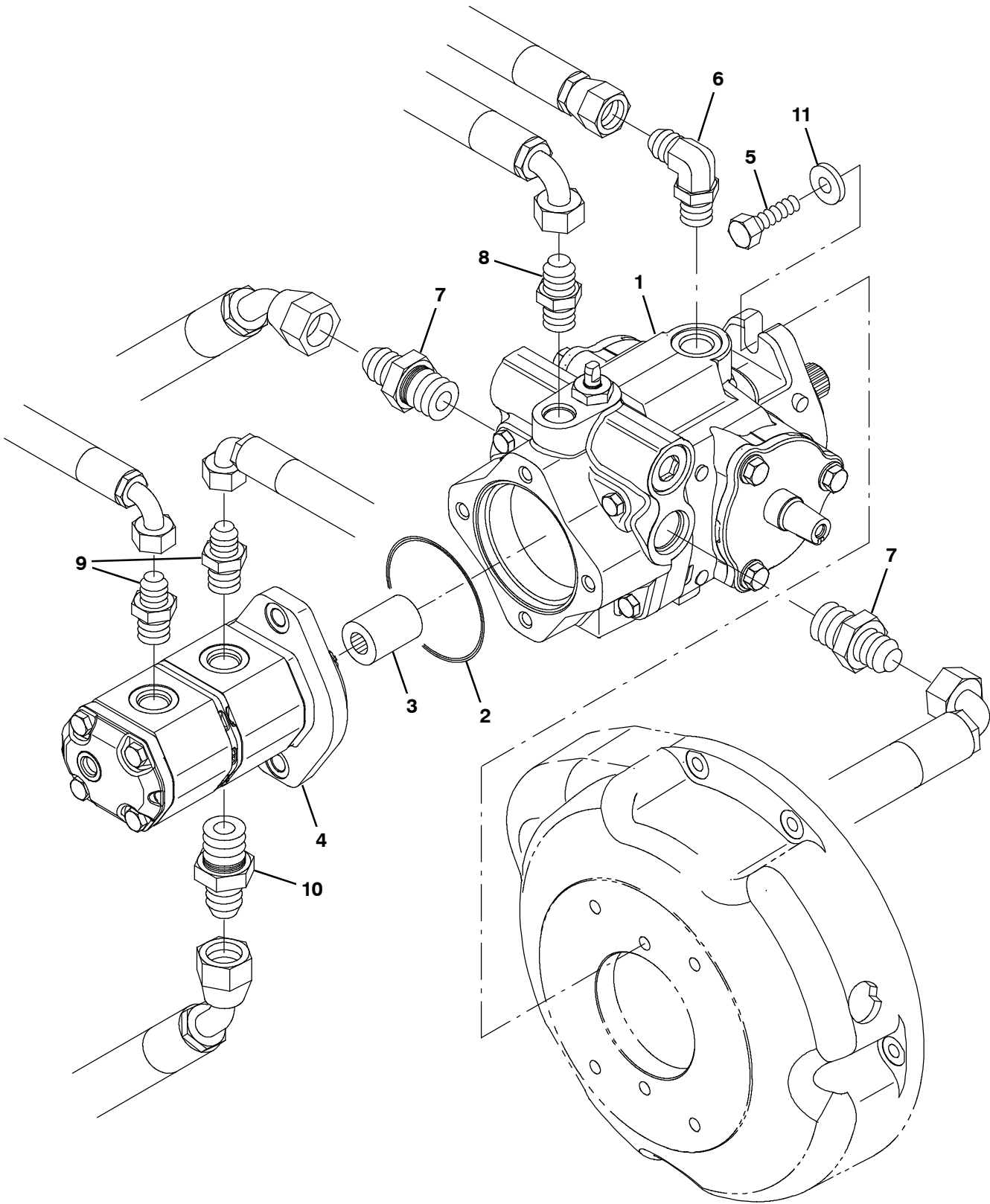


Fig. 42 - Hydraulic Pumps Group

Ref.	Part No.	Serial Number	Description	Qty.
1	1045993	(000000-) Pump, Hyd, Piston, Var, 1.24 2500, Cw (See Breakdowns)	1
2	65145- 1	(000000-) Seal, Org, .069 X 03.06id	1
3	71721	(000000-) Coupling, Drive, 1.2d 1.5l 09tooth	1
4	361018	(000000- 004459) Pump, Hyd, Gear, Ext, 2, 00.39 1600, Cw (See Breakdowns)	1
4	1071256	(004460-) Pump, Hyd, Gear, Ext, 2, 6.2cc 5.2cc	1
5	03192	(000000-) Screw, Hex, M10 X 1.50 X 30, 8.8	2
6	44868	(000000- 002999) Fitting, Hyd, E90, Jm08/Om08	1
6	762446	(003000-) Fitting, Hyd, E90, Fm08/Om08	1
7	42223	(000000- 002999) Fitting, Hyd, Str, Jm10/Om12	2
7	762468	(003000-) Fitting, Hyd, Str, Fm10/Om12	2
8	44869	(000000- 002999) Fitting, Hyd, Str, Jm08/Om08	2
8	762445	(003000-) Fitting, Hyd, Str, Fm08/Om08	2
9	52402	(000000- 002999) Fitting, Hyd, Str, Jm06/Om08	2
9	762438	(003000-) Fitting, Hyd, Str, Fm06/Om08	2
10	06750	(000000- 002999) Fitting, Hyd, Str, Jm12/Om10	1
10	1071945	(003000-) Fitting, Hyd, Str, Fm12/Om10	1
11	32485	(000000-) Washer, Flat, 0.38, Sae	2

Fig. 43 - Hydraulic Reservoir Group

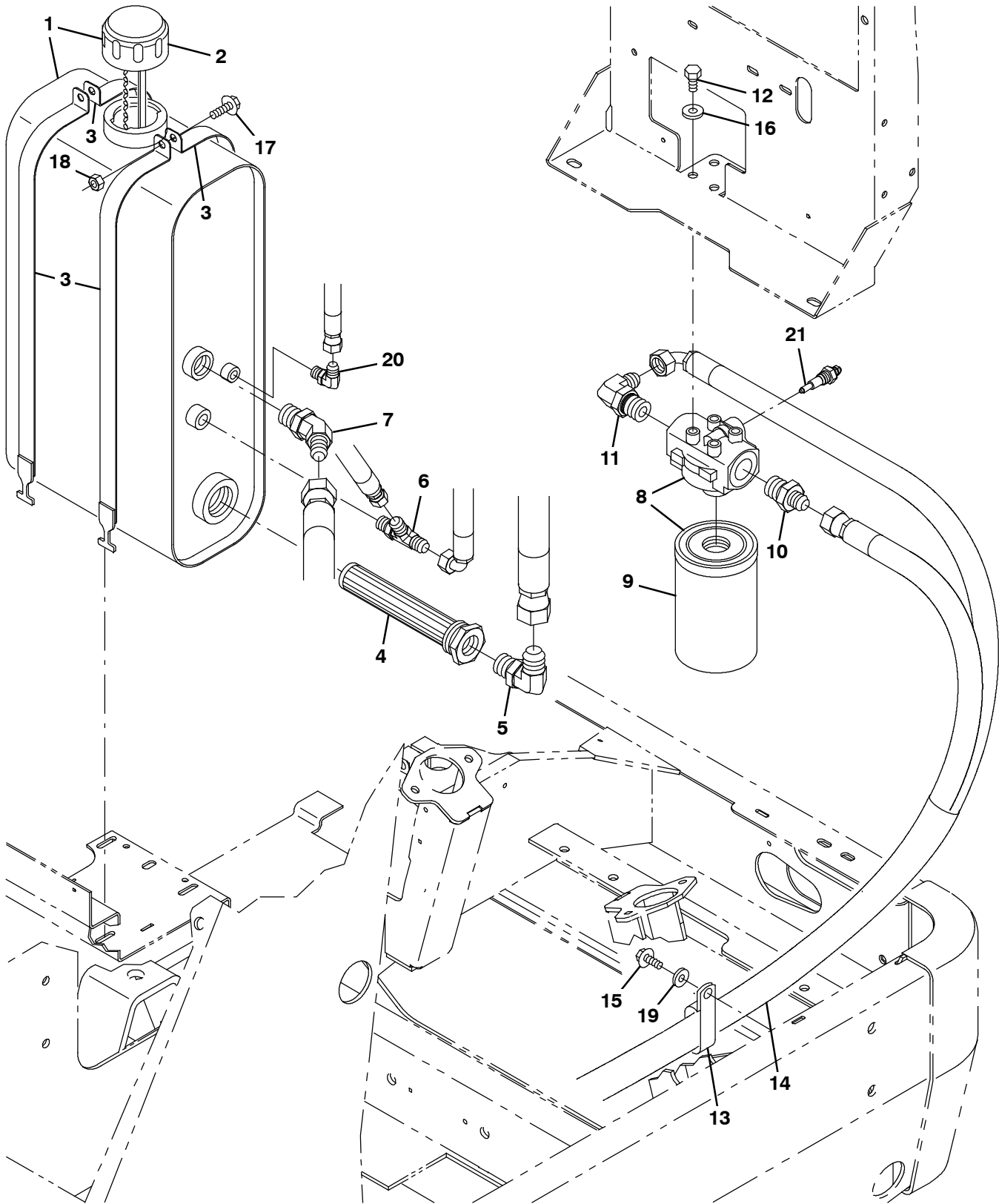


Fig. 43 - Hydraulic Reservoir Group

Ref.	Part No.	Serial Number	Description	Qty.
▽	1	1048422	(000000-) Reservoir Assy, Hyd	1
▲	2	360991	(000000-) Cap, Breather, Hyd, 5.2 Ds	1
▲	70006	(000000-) Gasket, Cap, Breather, Hyd	1	
	3	1049580	(000000-) Strap Wldt, Tank	4
	4	361023	(000000-) Strainer, Hyd, 010gpm 100mesh	1
	5	46481	(000000- 002999) Fitting, Hyd, E90, Jm12/Om12	1
	5	762492	(003000-) Fitting, Hyd, E90, Fm12/Om12	1
	6	76316	(000000- 002999) Fitting, Hyd, Tee, Jm06/Jm06/Om06, Run	1
	6	762434	(003000-) Fitting, Hyd, Tee, Fm06/Fm06/Om06, Run	1
	7	47513	(000000- 002999) Fitting, Hyd, E45, Jm08/Om10	1
	7	762461	(003000-) Fitting, Hyd, E45, Fm08/Om10	1
▽	8	10664	(000000-) Filter Assy, Hyd, 10mic 035gpm, Spin- On	1
▲	9	65221	(000000-) Element, Fltr, Hyd Oil	1
	10	42227	(000000- 002999) Fitting, Hyd, Str, Jm08/Om12	1
	10	762457	(003000-) Fitting, Hyd, Str, Fm08/Om12	1
	11	47655	(000000- 002999) Fitting, Hyd, E90, Jm08/Om12	1
	11	762462	(003000-) Fitting, Hyd, E90, Fm08/Om12	1
	12	21195	(000000-) Screw, Hex, .38- 16 X 0.75, G5	4
	13	41016	(000000-) Clamp, Cable, Stl, 2.25d X 1.00w, 1hole	1
	14	31646	(000000-) Sleeve, Nyl, 1.63id 25.0l	1
	15	12459	(000000-) Screw, Hex, M6 X 1.00 X 20, Fmg	1
	16	32485	(000000-) Washer, Flat, 0.38, Sae	4
	17	1037354	(000000-) Screw, Hex, M8 X 1.25 X 30, 9.8, Sems	2
	18	08709	(000000-) Nut, Hex, Lock, M8 X 1.25, NI	2
	19	32490	(000000-) Washer, Flat, 0.25, Std	1
	20	77097	(000000- 002999) Fitting, Hyd, E90, Jm04/Om04	1
	20	762427	(003000-) Fitting, Hyd, E90, Fm04/Om04	1
	21	65222	(000000-) Send- Unit, Fltr, Hyd	1

Fig. 44 - Hydraulic Control Valve Group

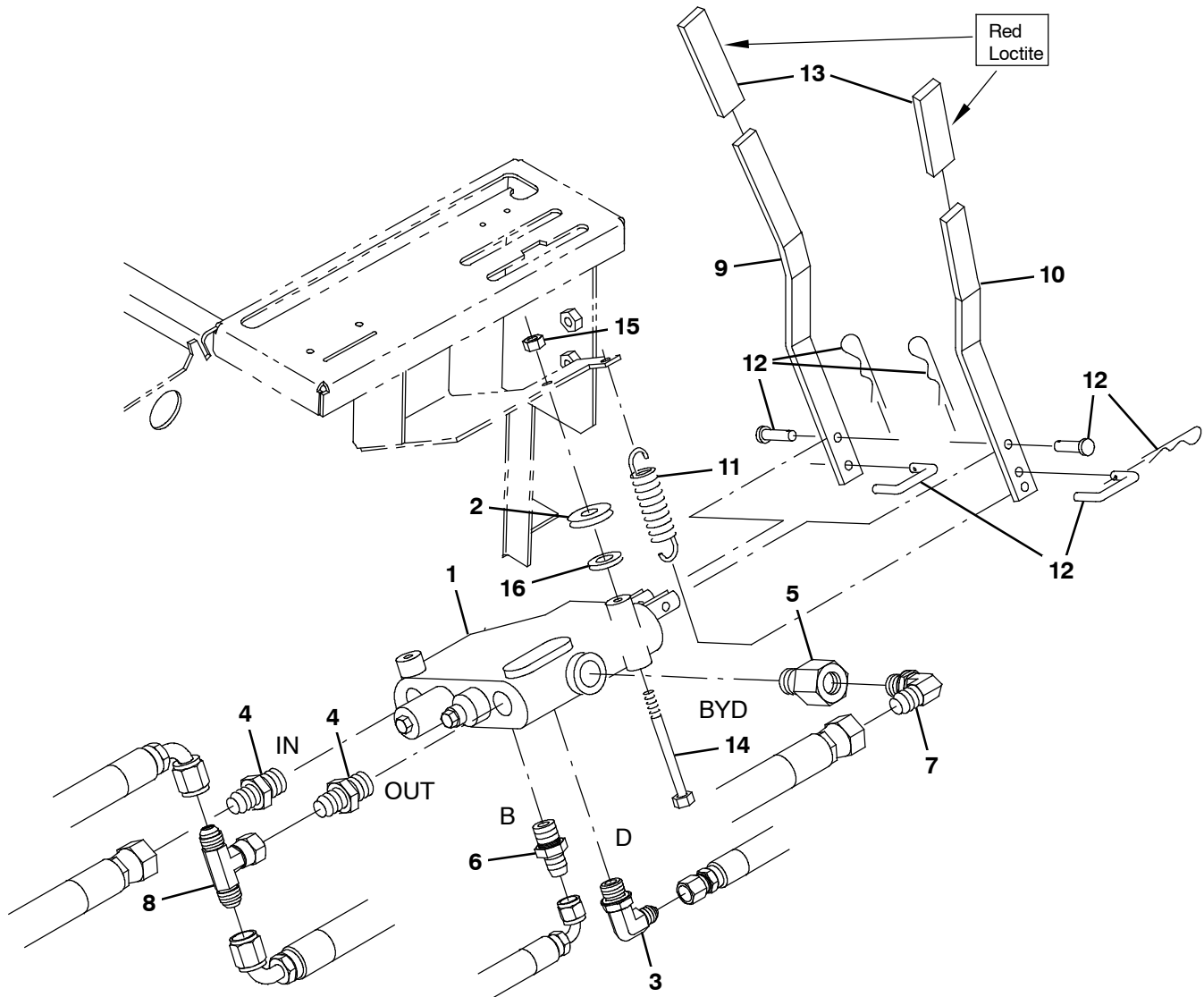


Fig. 44 - Hydraulic Control Valve Group

Ref.	Part No.	Serial Number	Description	Qty.
1	361012	(000000-) Valve, Hyd, Mnl, 2spool 0100psi 10gpm (See Breakdowns)	1
2	63416	(000000-) Washer, Flat, 0.31b 0.88d .12, Rbr	2
3	47638	(000000- 002999) Fitting, Hyd, E90, Jm04/Om06	1
3	762425	(003000-) Fitting, Hyd, E90, Fm04/Om06	1
4	52402	(000000- 002999) Fitting, Hyd, Str, Jm06/Om08	2
4	762438	(003000-) Fitting, Hyd, Str, Fm6/Om08	2
5	361028	(000000-) Plug Assy, Hyd	1
6	55685	(000000- 002999) Fitting, Hyd, Str, Jm04/Om06	1
6	762426	(003000-) Fitting, Hyd, Str, Fm04/Om06	1
7	56820	(000000- 002999) Fitting, Hyd, E90, Jm06/Om06	1
7	762432	(003000-) Fitting, Hyd, E90, Fm06/Om06	1
8	35586	(000000- 002999) Fitting, Hyd, Tee, Jf06/Jm06/Jm06, Br	1
8	1071703	(003000-) Fitting, Hyd, Tee, F06/Fm06/Fm06, Br	1
9	360062	(000000-) Handle, Cntrl, Valve	1
10	360063	(000000-) Handle, Cntrl, Valve	1
11	59870	(000000-) Spring, Extn, 0.38od 0.05wir 02.5l	1
12	361299	(000000-) Link Assy, Valve Handle	1
13	360467	(000000-) Grip, Vyl	2
14	06949	(000000-) Screw, Hex, M6 X 1.00 X 50, 8.8	2
15	08708	(000000-) Nut, Hex, Lock, M6 X 1.00, NI	2
16	32491	(000000-) Washer, Flat, 0.31, Std	2

Fig. 45 - Hydraulic Solenoid Valve Group

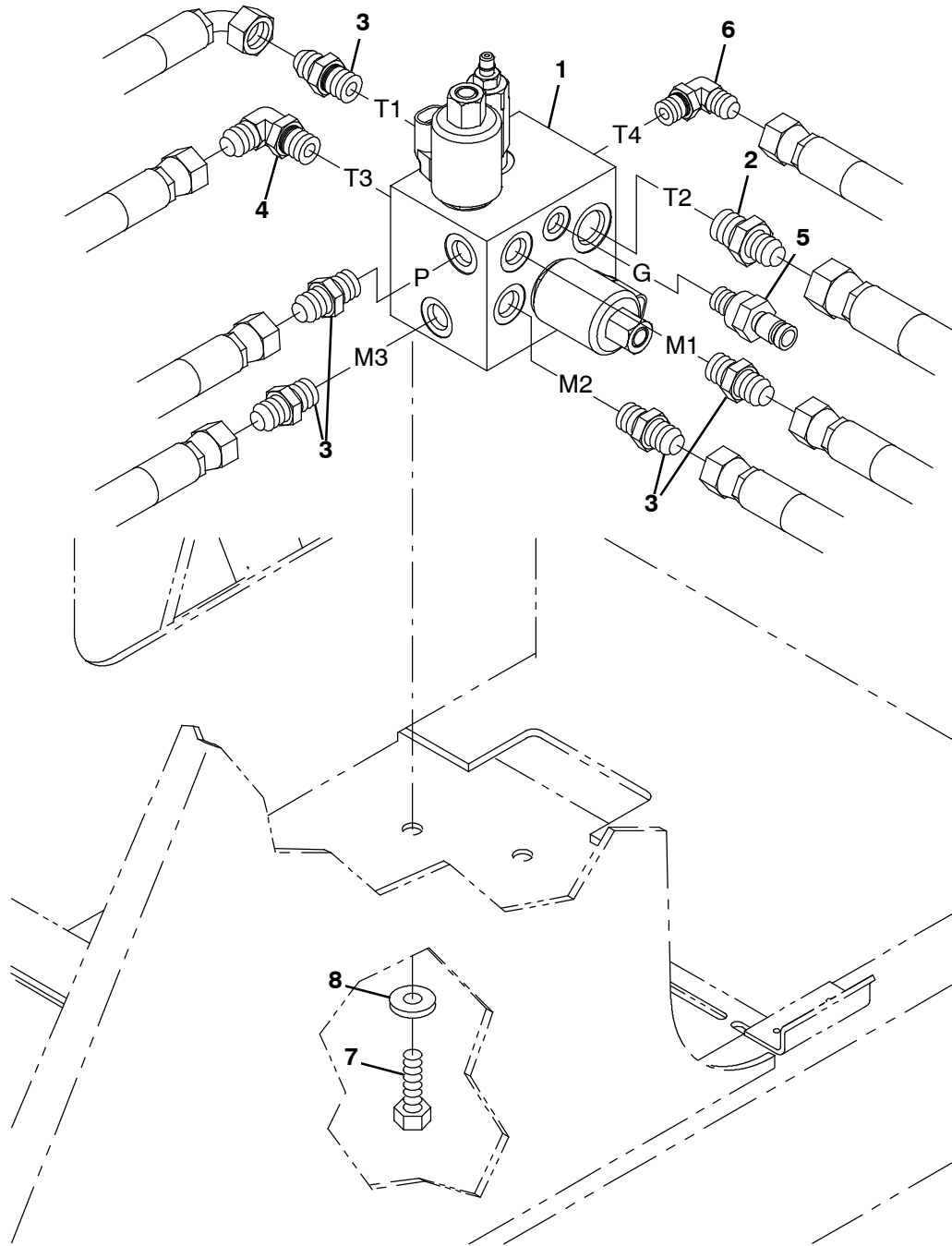


Fig. 45 - Hydraulic Solenoid Valve Group

Ref.	Part No.	Serial Number	Description	Qty.
1	1046687	(000000-) Valve, Hyd, Solenoid, 12vdc (See Breakdowns)	1
2	44869	(000000- 002999) Fitting, Hyd, Str, Jm08/Om08	1
2	762445	(003000-) Fitting, Hyd, Str, Fm08/Om08	1
3	56690	(000000- 002999) Fitting, Hyd, Str, Jm06/Om06	5
3	762433	(003000-) Fitting, Hyd, Str, Fm06/Om06	5
4	56820	(000000- 002999) Fitting, Hyd, E90, Jm06/Om06	1
4	762432	(003000-) Fitting, Hyd, E90, Fm06/Om06	1
5	395973	(000000-) Fitting, Hyd, Str, Om04/Qm04	1
6	77097	(000000- 002999) Fitting, Hyd, E90, Jm04/Om04	1
6	762427	(003000-) Fitting, Hyd, E90, Fm04/Om04	1
7	06961	(000000-) Screw, Hex, M10 X 1.50 X 20, 8.8	2
8	32492	(000000-) Washer, Flat, 0.38, Std	2

Fig. 46 - Electrical Schematic

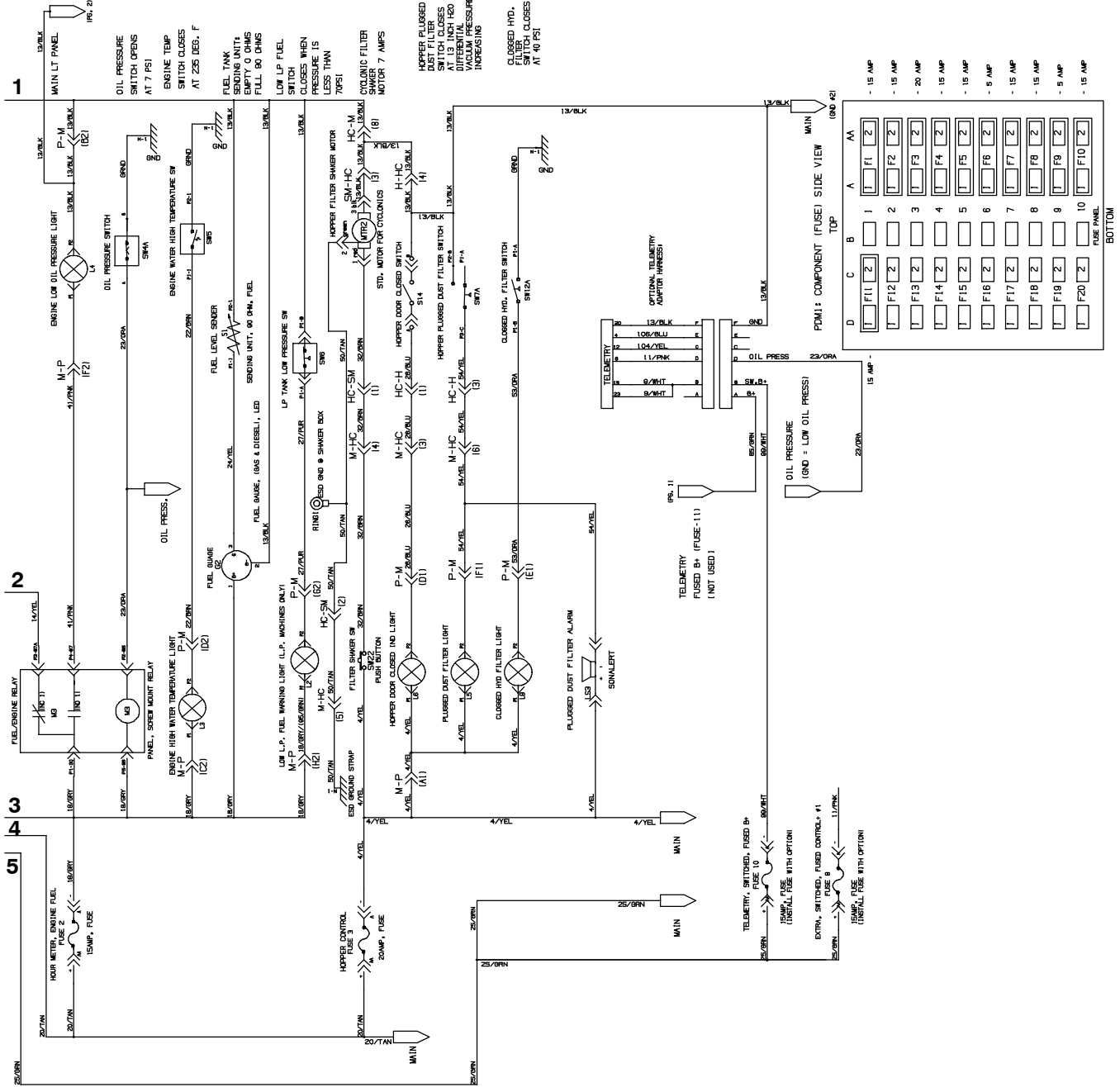


Fig. 46 - Electrical Schematic

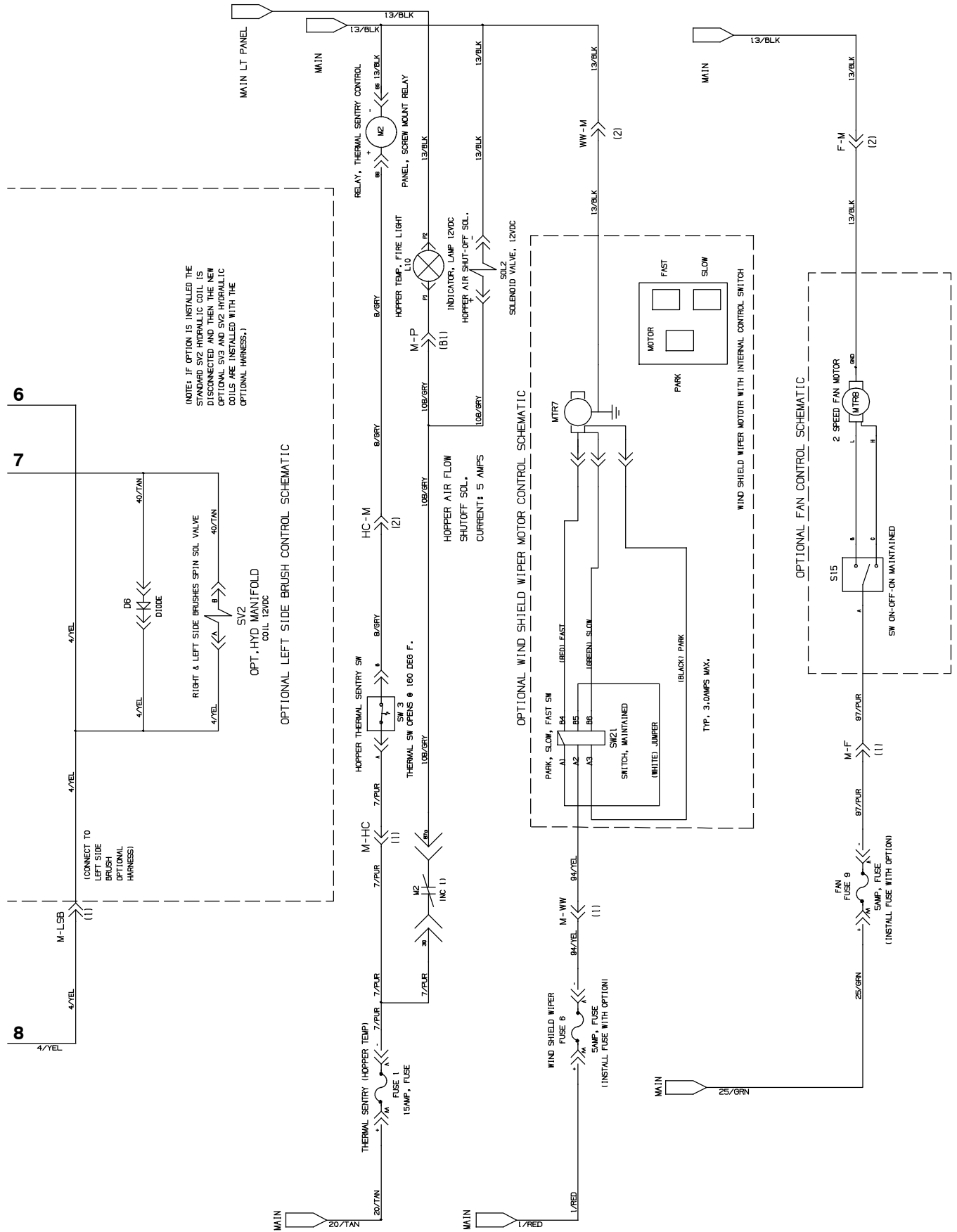


Fig. 46 - Electrical Schematic

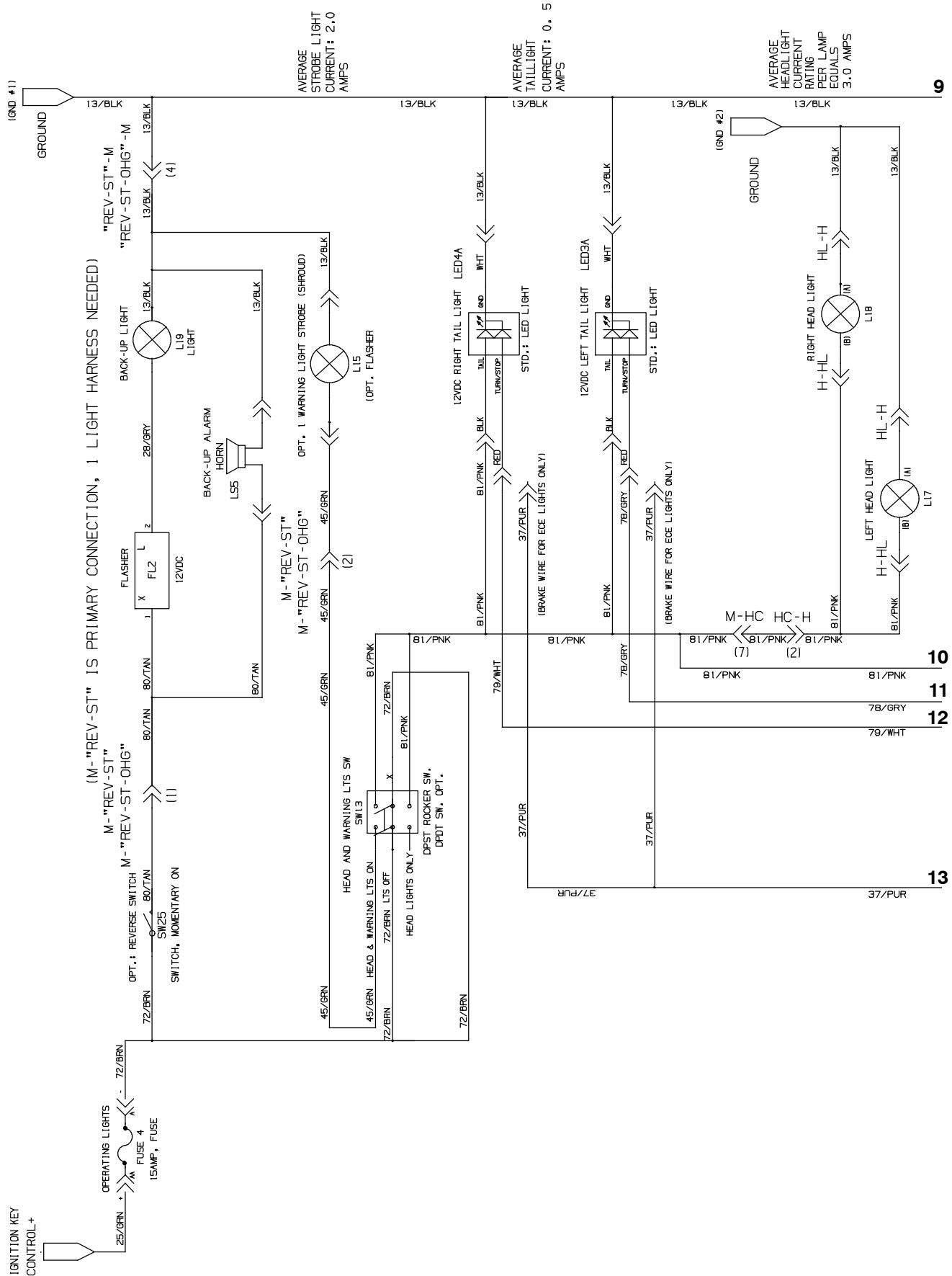
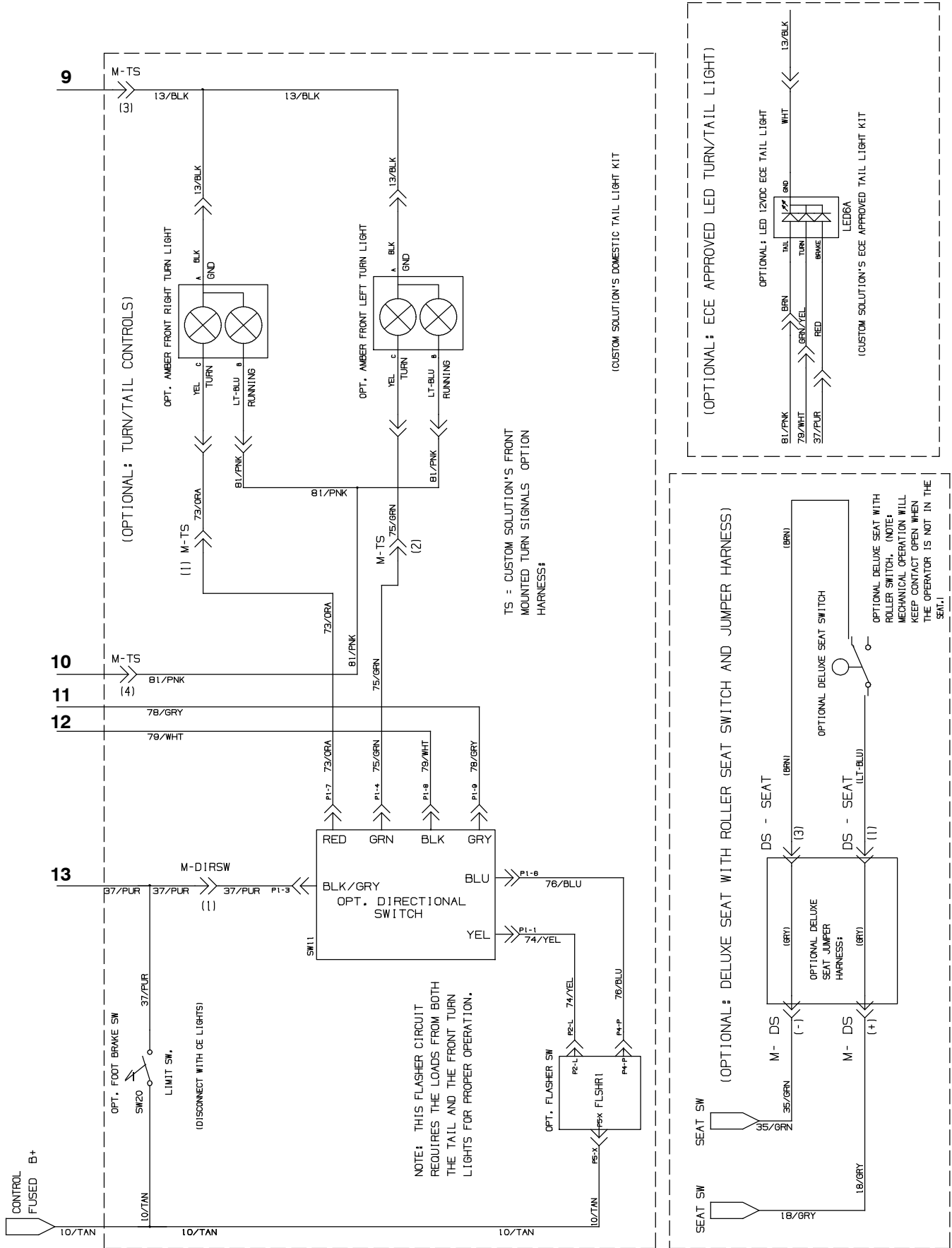


Fig. 46 - Electrical Schematic



354985, 1048516 - G, LP

Fig. 47 - Electrical Wire Harnesses Group

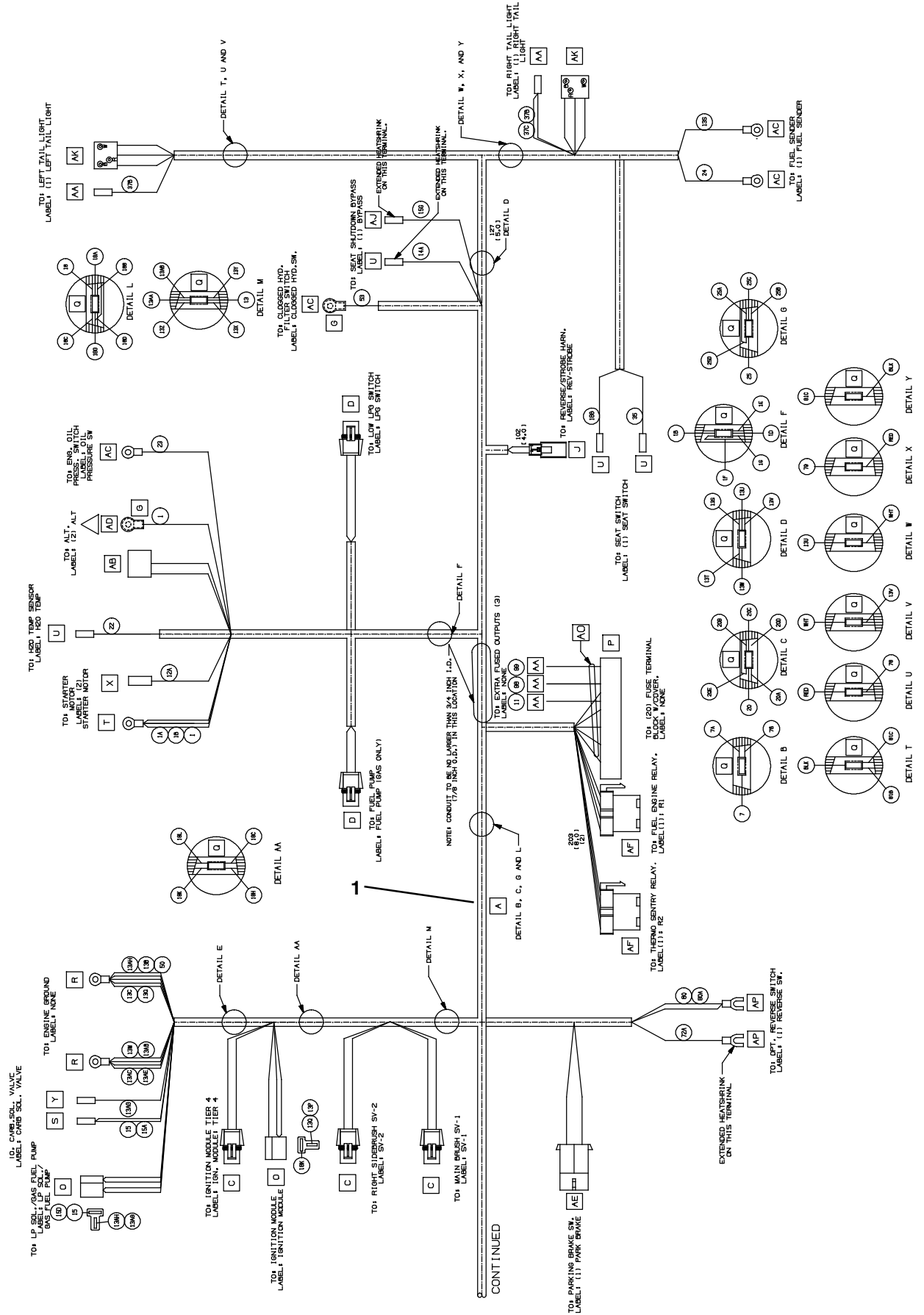
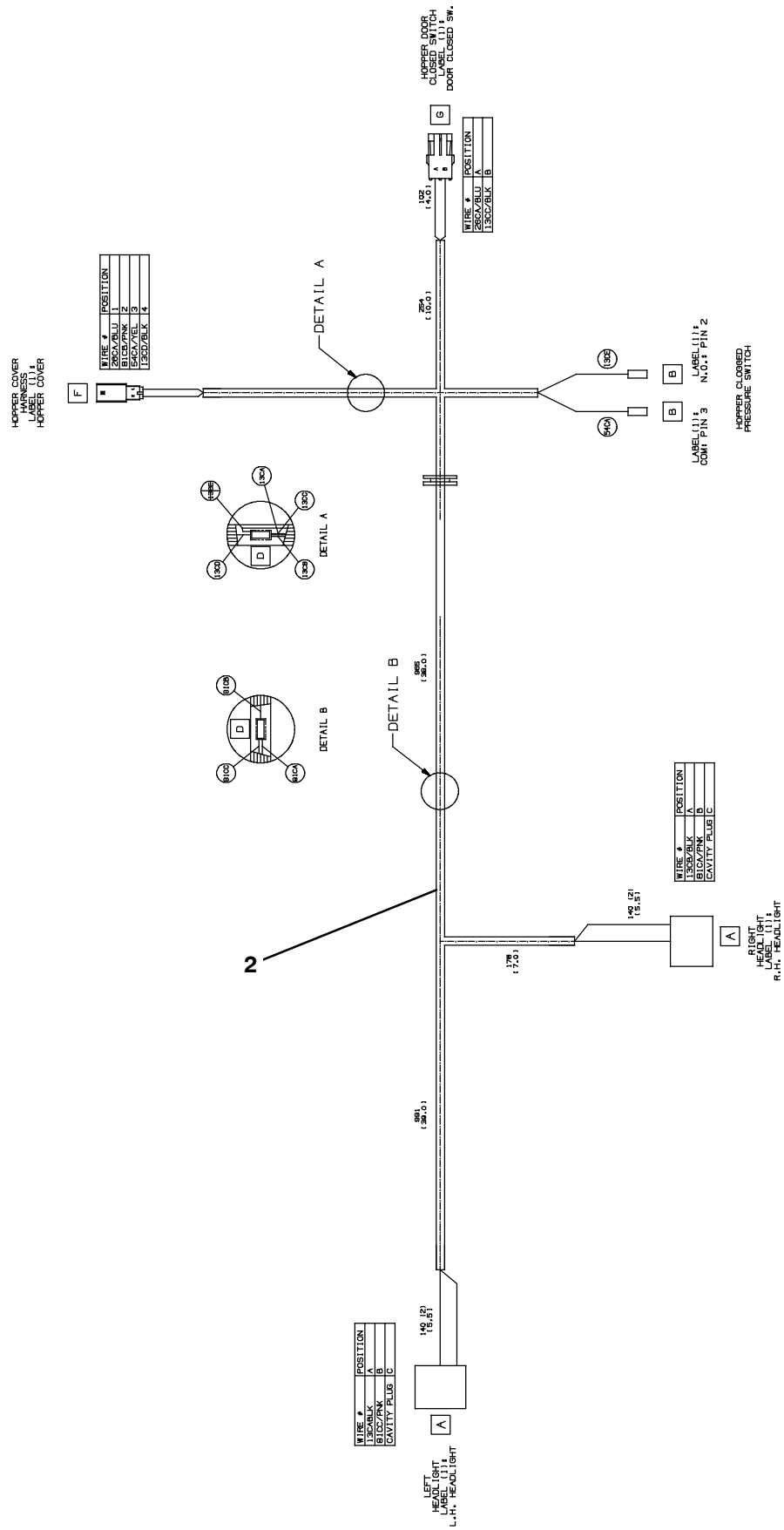
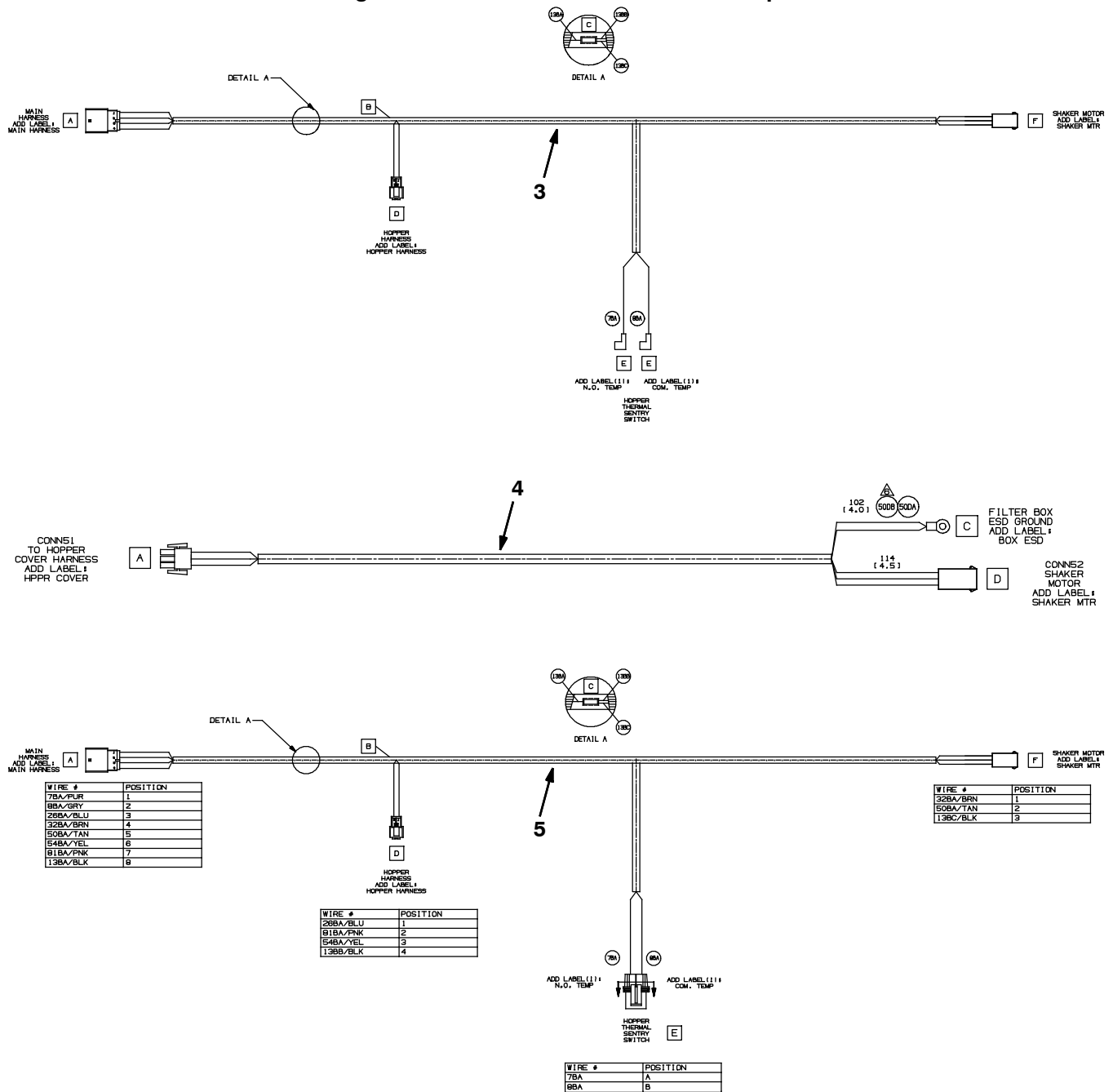


Fig. 47 - Electrical Wire Harness Group



354981

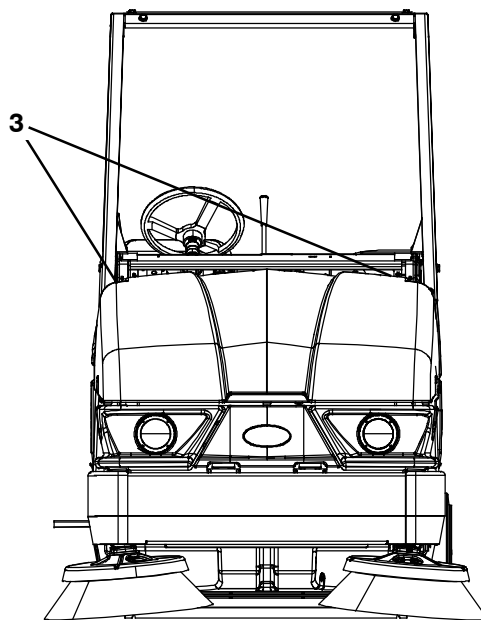
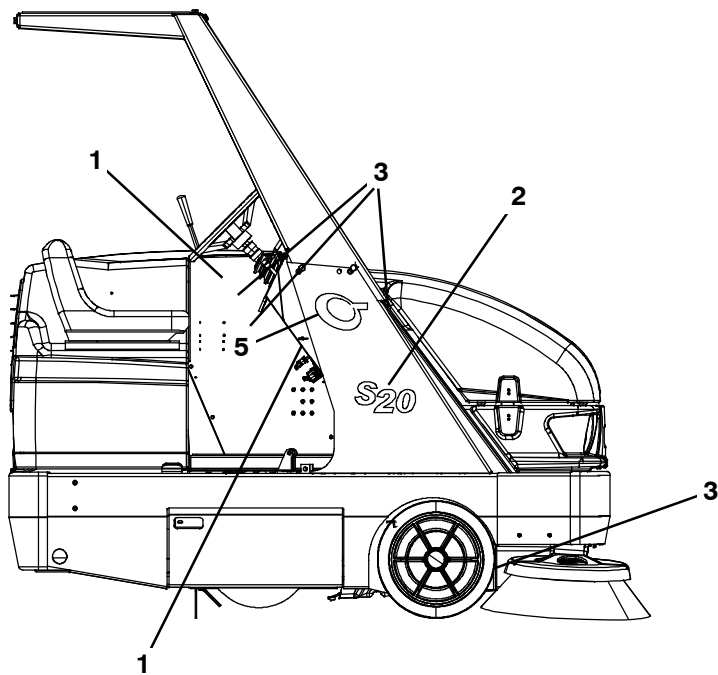
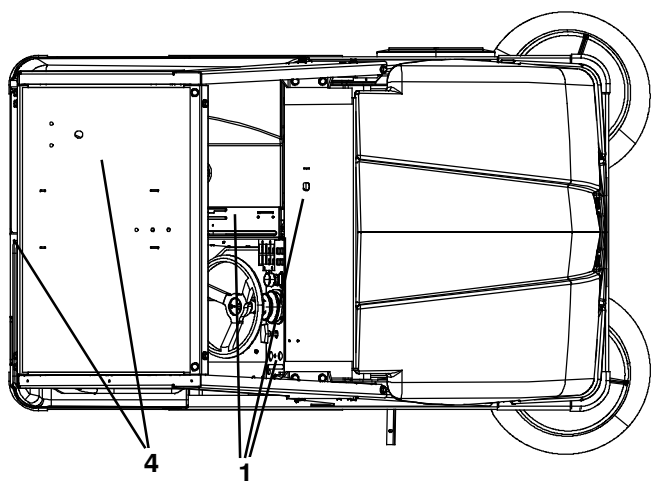
Fig. 47 - Electrical Wire Harness Group



354981 - G, LP, NA

Ref.	Part No.	Serial Number	Description	Qty.
1	9006698	(000000- 001070)	Harness Kit, Main, Gas/Lpg, Replmt [S20]	1
1	1071359	(001071-)	Harness, Main, Gas/Lpg [S20]	1
2	1045768	(000000-)	Harness, Hppr, 12vdc [S20]	1
3	1048504	(000000- 001361)	Harness, Hppr, Cover [S20]	1
4	1047717	(000000-)	Harness, Shagr, Motor [S20]	1
5	1061582	(001362-)	Harness, Hppr, Cover [S20]	1

Fig. 48 - Label Group



354978 - G, LP, NA

Ref.	Part No.	Serial Number	Description	Qty.
1	1050720	(000000-) Label Set, Opertnl [S20 Gas]	1
1	1050732	(000000-) Label Set, Opertnl [S20 Lpg]	1
2	1050170	(000000-) Label, Model [S20]	1
3	1058333	(000000-) Label Set, Info/Hzrd [S20]	1
4	1017141	(000000-) Label Set, Hi- Temp	1
5	1057977	(000000-) Label [Cyclone, Sweepmax S20]	2

SECTION 3

Contents	Page
Fig. 1 - Backup Alarm and Flashing Light Kit, Rear	3-2
Fig. 2 - Backup Alarm and Strobe Light Kit, Rear	3-4
Fig. 3 - Backup Alarm and Flashing Light Kit, Overhead Guard	3-6
Fig. 4 - Backup Alarm and Strobe Light Kit, Overhead Guard	3-8
Fig. 5 - Overhead Guard Kit	3-10
Fig. 6 - Cab Overhead Guard Group	3-12
Fig. 7 - Cab Frame and Windows Group	3-14
Fig. 8 - Cab Door Group	3-16
Fig. 9 - Deluxe Suspension Seat Kit	3-18
Fig. 10 - Seat Belt Kit	3-20
Fig. 11 - Corner Bumper Kit	3-21
Fig. 12 - Dual Side Brush Lift Group, LH	3-22
Fig. 13 - Dual Side Brush Motor and Pivot Group, LH	3-24
Fig. 14 - Dual Side Brush Wire Harness Group	3-26
Fig. 15 - Dual Side Brush Hydraulic Valve Group	3-27
Fig. 16 - Dual Side Brush Hydraulic Hose Diagram	3-28
Fig. 17 - Side Brush Dust Control Kit	3-30
Fig. 18 - Dual Side Brush Dust Control Kit	3-32
Fig. 19 - Vacuum Wand Kit	3-34
Fig. 20 - Fire Extinguisher Kit	3-36
Fig. 21 - Soft Ride Non-Marking Tire and Wheel Assembly, Rear	3-37
Fig. 22 - Soft Ride Puncture Proof Tire and Wheel Assembly, Rear	3-38
Fig. 23 - Radial Tire and Wheel Assembly, Rear	3-39
Fig. 24 - Soft Ride Non-Marking Tire and Wheel Kit, Front	3-40
Fig. 25 - Soft Ride Puncture Proof Tire and Wheel Kit, Front	3-41
Fig. 26 - Bias Tire and Wheel Kit, Front	3-42
Fig. 27 - Radial Tire and Wheel Kit, Front	3-43
Fig. 28 - Telemetry Group	3-44
Fig. 29 - Documentation Group	3-46

Fig. 1 - Backup Alarm and Flashing Light Kit, Rear

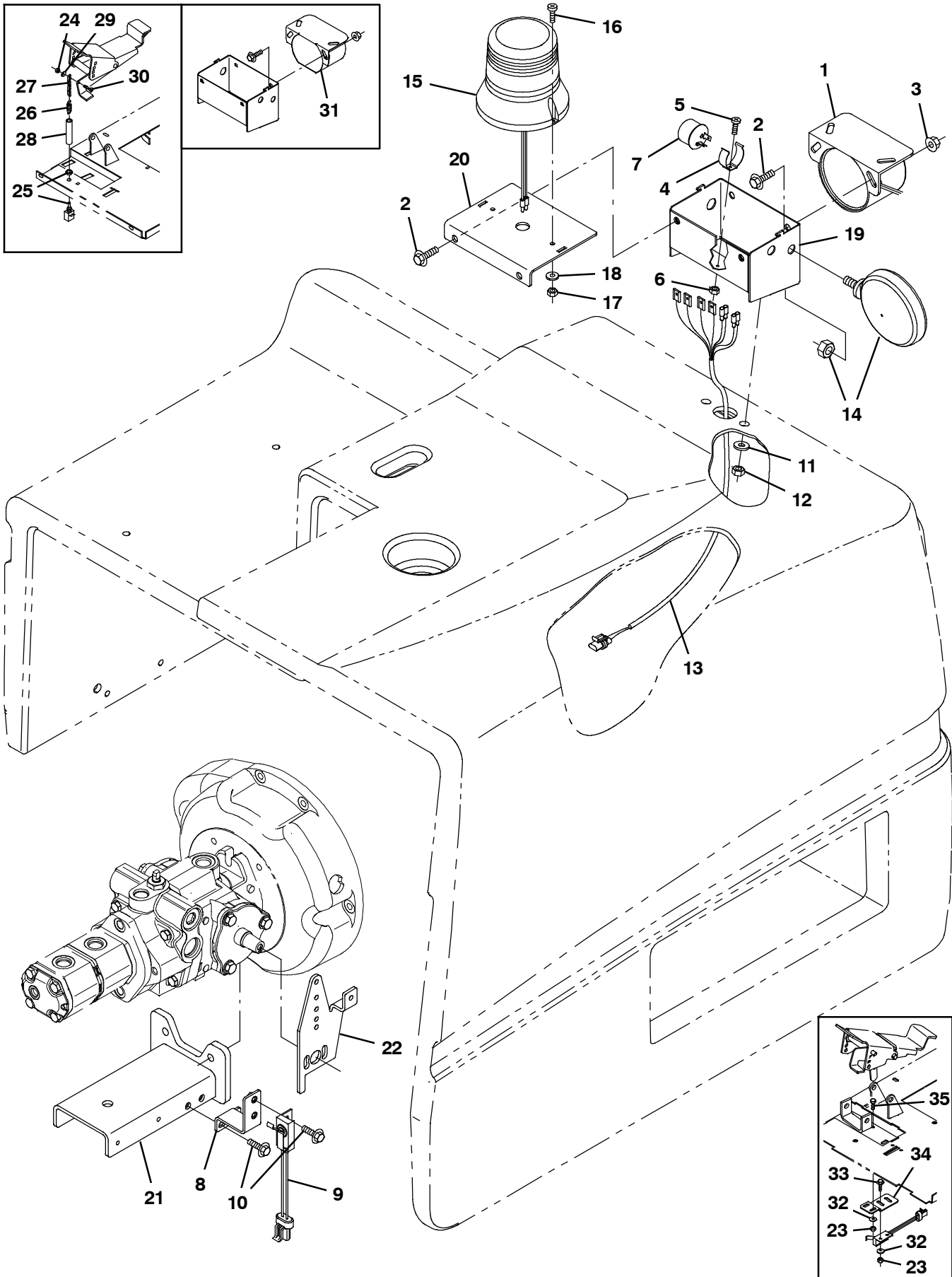


Fig. 1 - Backup Alarm and Flashing Light Kit, Rear

Ref.	Part No.	Serial Number	Description	Qty.
▽	9007871	(001319-) Alarm Kit, Backup, Flsh, Rear, Ic, Ci	1
▲	1 9007131	(001490-) Alarm Assy, Backup, 12/48vdc	1
▲	2 1037346	(000000-) Screw, Hex, M8 X 1.25 X 25, 9.8, Sems	4
▲	3 07791	(000000-) Nut, Hex, Flng, M8 X 1.25	2
▲	4 24576- 1	(000000-) Clip, Grip, Finger, 1.19- 1.35d, Nk PI	1
▲	5 06927	(000000-) Screw, Pan, Phl, M4 X 0.70 X 16, 4.8	1
▲	6 02850	(000000-) Nut, Hex, Lock, M4 X 0.70, NI	1
▲	7 24576	(000000-) Flasher, 12vdc [Hd552ps83]	1
▲	8 1067978	(001883-) Bracket, Switch, Reverse	1
▲	9 1039735	(001319-) Switch, Snap, 15a No	1
▲	10 1036892	(001883-) Screw, Hex, M6 X 1.00 X 25, 9.8, Sems	4
▲	11 32491	(000000-) Washer, Flat, 0.31, Std	2
▲	12 08709	(000000-) Nut, Hex, Lock, M8 X 1.25, NI	2
▲	13 1051788	(000000-) Harness, Alarm / Strobe [S20]	1
▲	14 36438	(000000-) Light, Spot, 12vdc, 21cp, Rwk 44025a	1
▲▽	15 1017248	(000000-) Light, Flsh, Amb, 12- 48vdc	1
▲▲	9000846	(000000-) Lamp, Bulb, Flash	1
▲▲	9000879	(000000-) Lens, Amb, F/ Revl / Flasher	1
▲	16 06933	(000000-) Screw, Pan, Phl, M5 X 0.80 X 16, 4.8	2
▲	17 06549	(000000-) Nut, Hex, Lock, M5 X 0.80, NI	2
▲	18 19066	(000000-) Washer, Flat, 10	2
▲	19 1049554	(000000-) Angle, Mtg, Alarm	1
▲	20 1049553	(000000-) Plate, Mtg, Light	1
▲	21 1045645	(001883-) Bracket Wldt, Mtg, Eng, Rear	1
▲	22 1046635	(001883-) Bracket, Mtg, Cable, Propel	1
	23 08708	(001319- 001882)	Nut, Hex, Lock, M6 X 1.00, NI	4
	24 02850	(000000- 001318)	Nut, Hex, Lock, M4 X 0.70, NI	1
	25 43673	(000000- 001318)	Switch, Pull, No	1
	26 43672	(000000- 001318)	Spring, Extn, 0.38od 0.05wir 01.0l	1
	27 28499- 1	(000000- 001318)	Chain, Sash, 35, 02.4l 04 Link	1
	28 366025	(000000- 001318)	Sleeve, Vyl, Flex, .39id 03.0l	1
	29 06927	(000000- 001318)	Screw, Pan, Phl, M4 X 0.70 X 16, 4.8	1
	30 19066	(000000- 001318)	Washer, Flat, 10	1
	31 72171	(000000- 001489)	Alarm Assy, Backup, 12- 48vdc 82- 102dba	1
	32 32483	(001319- 001882)	Washer, Flat, 0.25, Sae	4
	33 1040467	(001319- 001882)	Screw, Hex, M6 X 1.00 X 20, 9.8, Sems	2
	34 1061277	(001319- 001882)	Bracket, Switch, Reverse	1
	35 06943	(001319- 001882)	Screw, Hex, M6 X 1.00 X 20, 8.8	2
	1027798	(000000-) Lens, Red, F/ Revl / Flasher	1
	1027800	(000000-) Lens, Blu, F/ Revl / Flasher	1

Fig. 2 - Backup Alarm and Strobe Light Kit, Rear

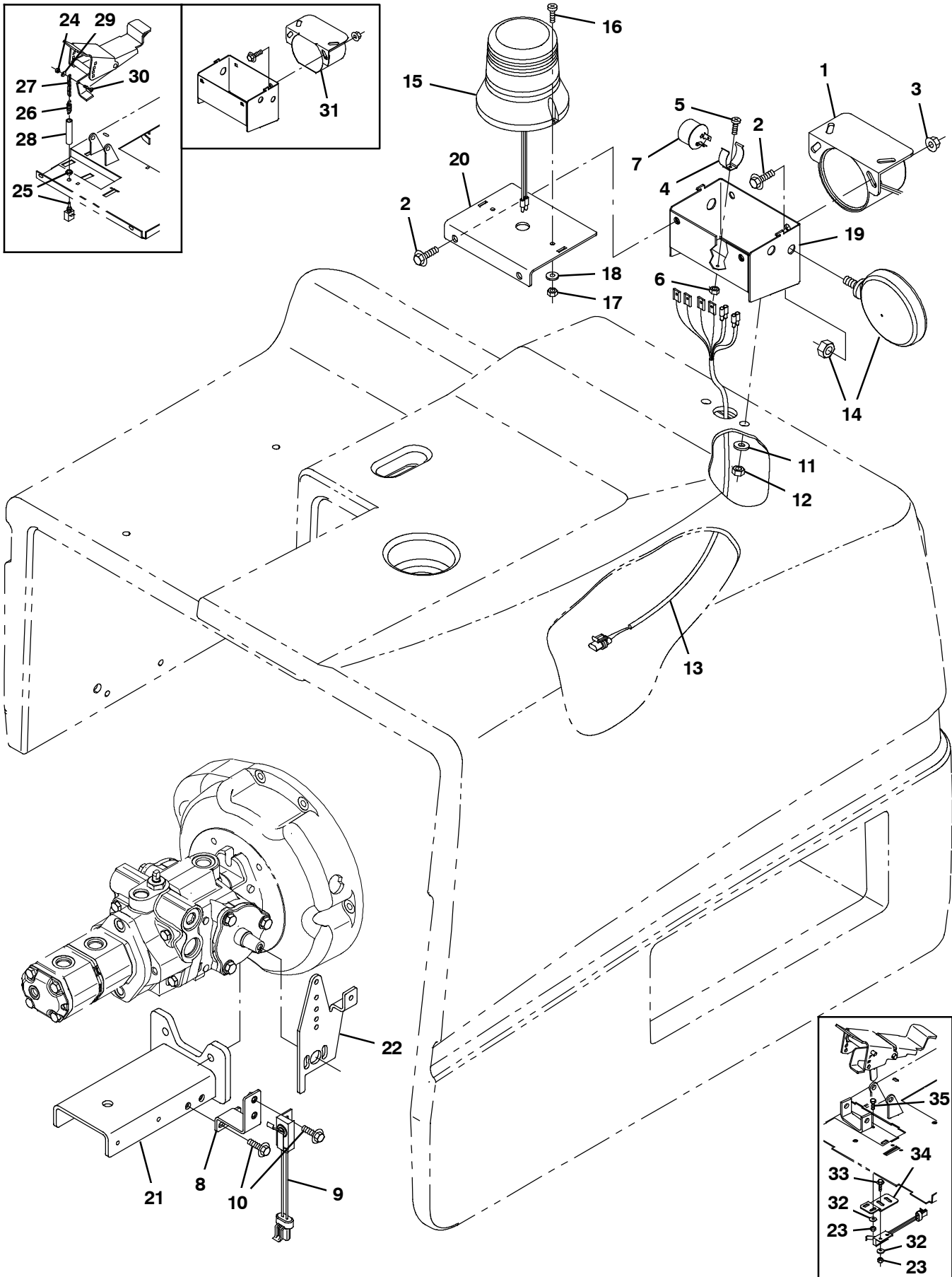


Fig. 2 - Backup Alarm and Strobe Light Kit, Rear

Ref.	Part No.	Serial Number	Description	Qty.
▽	9007869	(001319-) Alarm Kit, Backup, Strb, Rear, Ic, Ci	1
▲	1 9007131	(001490-) Alarm Assy, Backup, 12/48vdc	1
▲	2 1037346	(000000-) Screw, Hex, M8 X 1.25 X 25, 9.8, Sems	4
▲	3 07791	(000000-) Nut, Hex, Flng, M8 X 1.25	2
▲	4 24576- 1	(000000-) Clip, Grip, Finger, 1.19- 1.35d, Nk PI	1
▲	5 06927	(000000-) Screw, Pan, Phl, M4 X 0.70 X 16, 4.8	1
▲	6 02850	(000000-) Nut, Hex, Lock, M4 X 0.70, NI	1
▲	7 24576	(000000-) Flasher, 12vdc [Hd552ps83]	1
▲	8 1067978	(001883-) Bracket, Switch, Reverse	1
▲	9 1039735	(001319-) Switch, Snap, 15a No	1
▲	10 1036892	(001883-) Screw, Hex, M6 X 1.00 X 25, 9.8, Sems	4
▲	11 32491	(000000-) Washer, Flat, 0.31, Std	2
▲	12 08709	(000000-) Nut, Hex, Lock, M8 X 1.25, NI	2
▲	13 1051788	(000000-) Harness, Alarm / Strobe [S20]	1
▲	14 36438	(000000-) Light, Spot, 12vdc, 21cp, Rwk 44025a	1
▲▽	15 1017250	(000000-) Light, Strobe, Amb, 12- 48vdc	1
▲▲	9000845	(000000-) Lamp, Bulb, Strobe	1
▲▲	9000879	(000000-) Lens, Amb, F/ Revl / Flasher	1
▲	16 06933	(000000-) Screw, Pan, Phl, M5 X 0.80 X 16, 4.8	2
▲	17 06549	(000000-) Nut, Hex, Lock, M5 X 0.80, NI	2
▲	18 19066	(000000-) Washer, Flat, 10	2
▲	19 1049554	(000000-) Angle, Mtg, Alarm	1
▲	20 1049553	(000000-) Plate, Mtg, Light	1
▲	21 1045645	(001883-) Bracket Wldt, Mtg, Eng, Rear	1
▲	22 1046635	(001883-) Bracket, Mtg, Cable, Propel	1
	23 08708	(001319- 001882)	Nut, Hex, Lock, M6 X 1.00, NI	4
	24 02850	(000000- 001318)	Nut, Hex, Lock, M4 X 0.70, NI	1
	25 43673	(000000- 001318)	Switch, Pull, No	1
	26 43672	(000000- 001318)	Spring, Extn, 0.38od 0.05wir 01.0l	1
	27 28499- 1	(000000- 001318)	Chain, Sash, 35, 02.4l 04 Link	1
	28 366025	(000000- 001318)	Sleeve, Vyl, Flex, .39id 03.0l	1
	29 06927	(000000- 001318)	Screw, Pan, Phl, M4 X 0.70 X 16, 4.8	1
	30 19066	(000000- 001318)	Washer, Flat, 10	1
	31 72171	(000000- 001489)	Alarm Assy, Backup, 12- 48vdc 82- 102dba	1
	32 32483	(001319- 001882)	Washer, Flat, 0.25, Sae	4
	33 1040467	(001319- 001882)	Screw, Hex, M6 X 1.00 X 20, 9.8, Sems	2
	34 1061277	(001319- 001882)	Bracket, Switch, Reverse	1
	35 06943	(001319- 001882)	Screw, Hex, M6 X 1.00 X 20, 8.8	2
	1027798	(000000-) Lens, Red, F/ Revl / Flasher	1
	1027800	(000000-) Lens, Blu, F/ Revl / Flasher	1

Fig. 3 - Backup Alarm and Flashing Light Kit, Overhead Guard

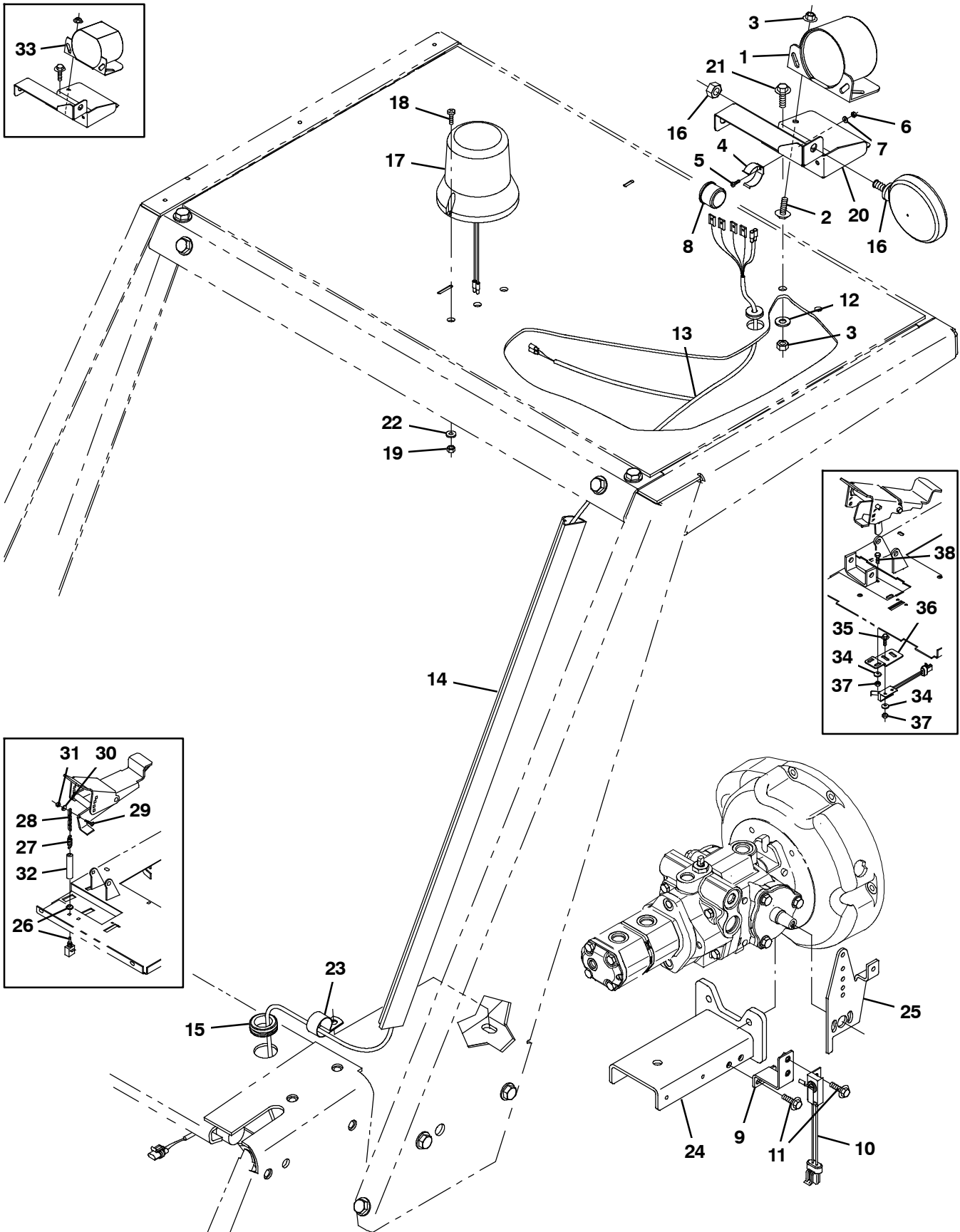


Fig. 3 - Backup Alarm and Flashing Light Kit, Overhead Guard

Ref.	Part No.	Serial Number	Description	Qty.
▽	9007868	(001319-) Alarm Kit, Backup, Flsh, Ohg, Ic, Ci	1
▲	1 9007131	(001490-) Alarm Assy, Backup, 12/48vdc	1
▲	2 1037346	(000000-) Screw, Hex, M8 X 1.25 X 25, 9.8, Sems	2
▲	3 08709	(000000-) Nut, Hex, Lock, M8 X 1.25, NI	4
▲	4 24576- 1	(000000-) Clip, Grip, Finger, 1.19- 1.35d, Nk PI	1
▲	5 06920	(000000-) Screw, Pan, Phl, M3 X 0.50 X 10, 4.8	1
▲	6 01754	(000000-) Nut, Hex, Std, M3 X 0.50, 8	1
▲	7 39658	(000000-) Washer, Lock, Int, 04	1
▲	8 24576	(000000-) Flasher, 12vdc [Hd552ps83]	1
▲	9 1067978	(001883-) Bracket, Switch, Reverse	1
▲	10 1039735	(001319-) Switch, Snap, 15a No	1
▲	11 1036892	(001883-) Screw, Hex, M6 X 1.00 X 25, 9.8, Sems	4
▲	12 32491	(000000-) Washer, Flat, 0.31, Std	2
▲	13 1051779	(000000-) Harness, Alarm / Strobe, Ohg [S20]	1
▲	14 55034	(000000-) Duct, Vyl, 0.74 X 1.50 .75d Max 48.0l	1
▲	15 10632- 1	(001281-) Grommet, Rbr, 1.06id, F/1.4h, .19 Matl	1
▲	16 36438	(000000-) Light, Spot, 12vdc, 21cp, Rwk 44025a	1
▲▽	17 1017248	(000000-) Light, Flsh, Amb, 12- 48vdc	1
▲▲	9000846	(000000-) Lamp, Bulb, Flash	1
▲▲	9000879	(000000-) Lens, Amb, F/ Revl / Flasher	1
▲	18 06933	(000000-) Screw, Pan, Phl, M5 X 0.80 X 16, 4.8	2
▲	19 06549	(000000-) Nut, Hex, Lock, M5 X 0.80, NI	2
▲	20 1050046	(000000-) Bracket, Mtg, Horn	1
▲	21 1020341	(000000-) Screw, Hex, M8 X 1.25 X 20, Ss, Sems	2
▲	22 32483	(000000-) Washer, Flat, 0.25, Sae	2
▲	23 58366	(001281-) Clamp, Cable, Stl, 1.25d X 1.00w, 1hole	1
▲	24 1045645	(001883-) Bracket Wldt, Mtg, Eng, Rear	1
▲	25 1046635	(001883-) Bracket, Mtg, Cable, Propel	1
	26 43673	(000000- 001318)	Switch, Pull, No	1
	27 43672	(000000- 001318)	Spring, Extn, 0.38od 0.05wir 01.0l	1
	28 28499- 1	(000000- 001318)	Chain, Sash, 35, 02.4l 04 Link	1
	29 06927	(000000- 001318)	Screw, Pan, Phl, M4 X 0.70 X 16, 4.8	1
	30 19066	(000000- 001318)	Washer, Flat, 10	3
	31 02850	(000000- 001318)	Nut, Hex, Lock, M4 X 0.70, NI	1
	32 366025	(000000- 001318)	Sleeve, Vyl, Flex, .39id 03.0l	1
	33 72171	(000000- 001489)	Alarm Assy, Backup, 12- 48vdc 82- 102dba	1
	34 32483	(001319- 001882)	Washer, Flat, 0.25, Sae	4
	35 1040467	(001319- 001882)	Screw, Hex, M6 X 1.00 X 20, 9.8, Sems	2
	36 1061277	(001319- 001882)	Bracket, Switch, Reverse	1
	37 08708	(001319- 001882)	Nut, Hex, Lock, M6 X 1.00, NI	4
	38 06943	(001319- 001882)	Screw, Hex, M6 X 1.00 X 20, 8.8	2
	1027798	(000000-) Lens, Red, F/ Revl / Flasher	1
	1027800	(000000-) Lens, Blu, F/ Revl / Flasher	1

Fig. 4 - Backup Alarm and Strobe Light Kit, Overhead Guard

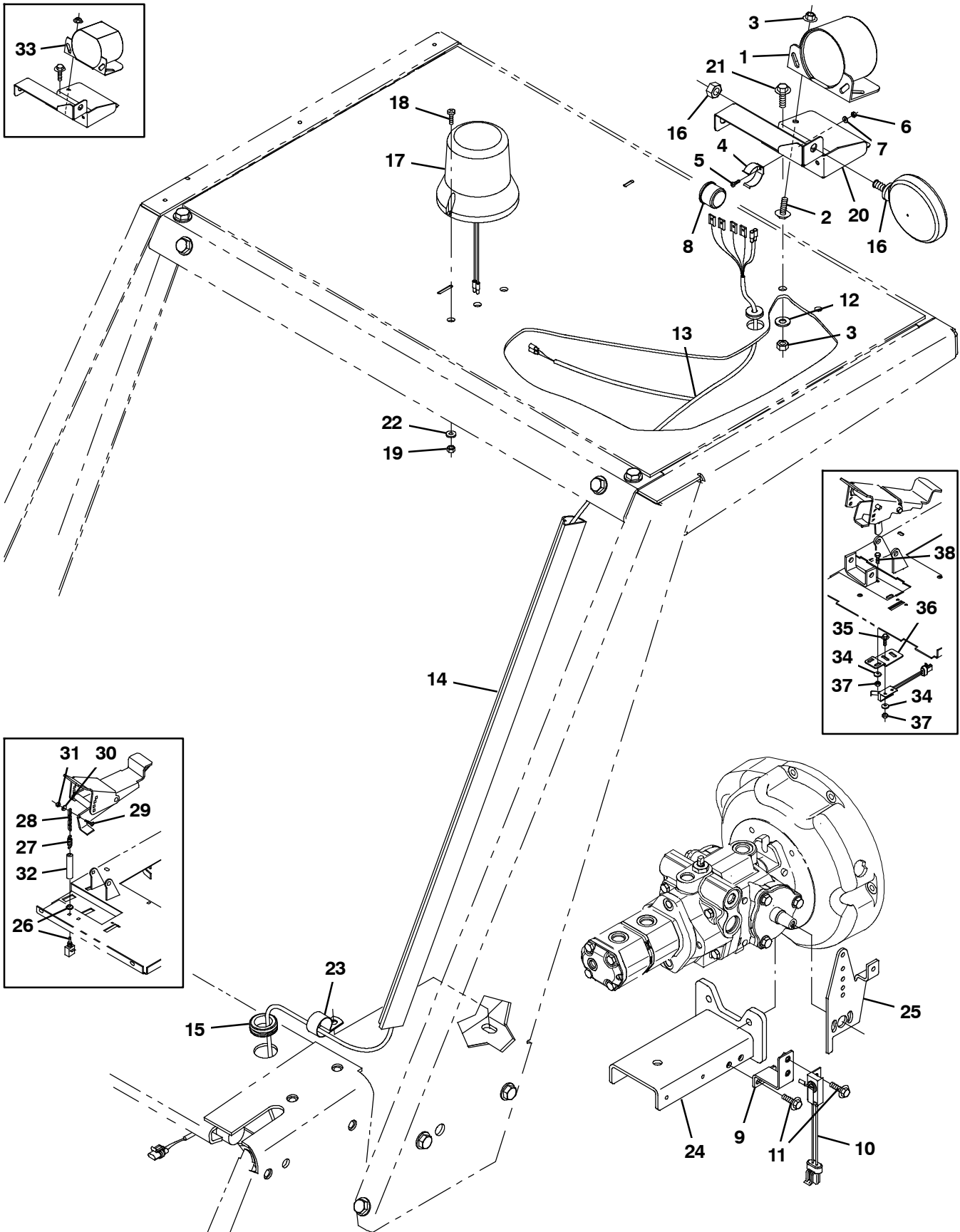


Fig. 4 - Backup Alarm and Strobe Light Kit, Overhead Guard

Ref.	Part No.	Serial Number	Description	Qty.
▽	9007870	(001319-) Alarm Kit, Backup, Strb, Ohg, Ic, Ci	1
▲	1 9007131	(001490-) Alarm Assy, Backup, 12/48vdc	1
▲	2 1037346	(000000-) Screw, Hex, M8 X 1.25 X 25, 9.8, Sems	2
▲	3 08709	(000000-) Nut, Hex, Lock, M8 X 1.25, NI	4
▲	4 24576- 1	(000000-) Clip, Grip, Finger, 1.19- 1.35d, Nk PI	1
▲	5 06920	(000000-) Screw, Pan, Phl, M3 X 0.50 X 10, 4.8	1
▲	6 01754	(000000-) Nut, Hex, Std, M3 X 0.50, 8	1
▲	7 39658	(000000-) Washer, Lock, Int, 04	1
▲	8 24576	(000000-) Flasher, 12vdc [Hd552ps83]	1
▲	9 1067978	(001883-) Bracket, Switch, Reverse	1
▲	10 1039735	(001319-) Switch, Snap, 15a No	1
▲	11 1036892	(001883-) Screw, Hex, M6 X 1.00 X 25, 9.8, Sems	4
▲	12 32491	(000000-) Washer, Flat, 0.31, Std	2
▲	13 1051779	(000000-) Harness, Alarm / Strobe, Ohg [S20]	1
▲	14 55034	(000000-) Duct, Vyl, 0.74 X 1.50 .75d Max 48.0l	1
▲	15 10632- 1	(001281-) Grommet, Rbr, 1.06id, F/1.4h, .19 Matl	1
▲	16 36438	(000000-) Light, Spot, 12vdc, 21cp, Rwk 44025a	1
▲▽	17 1017250	(000000-) Light, Strobe, Amb, 12- 48vdc	1
▲▲	9000845	(000000-) Lamp, Bulb, Strobe	1
▲▲	9000879	(000000-) Lens, Amb, F/ Revl / Flasher	1
▲	18 06933	(000000-) Screw, Pan, Phl, M5 X 0.80 X 16, 4.8	2
▲	19 06549	(000000-) Nut, Hex, Lock, M5 X 0.80, NI	2
▲	20 1050046	(000000-) Bracket, Mtg, Horn	1
▲	21 1020341	(000000-) Screw, Hex, M8 X 1.25 X 20, Ss, Sems	2
▲	22 32483	(000000-) Washer, Flat, 0.25, Sae	2
▲	23 58366	(001281-) Clamp, Cable, Stl, 1.25d X 1.00w, 1hole	1
▲	24 1045645	(001883-) Bracket Wldt, Mtg, Eng, Rear	1
▲	25 1046635	(001883-) Bracket, Mtg, Cable, Propel	1
	26 43673	(000000- 001318)	Switch, Pull, No	1
	27 43672	(000000- 001318)	Spring, Extn, 0.38od 0.05wir 01.0l	1
	28 28499- 1	(000000- 001318)	Chain, Sash, 35, 02.4l 04 Link	1
	29 06927	(000000- 001318)	Screw, Pan, Phl, M4 X 0.70 X 16, 4.8	1
	30 19066	(000000- 001318)	Washer, Flat, 10	3
	31 02850	(000000- 001318)	Nut, Hex, Lock, M4 X 0.70, NI	1
	32 366025	(000000- 001318)	Sleeve, Vyl, Flex, .39id 03.0l	1
	33 72171	(000000- 001489)	Alarm Assy, Backup, 12- 48vdc 82- 102dba	1
	34 32483	(001319- 001882)	Washer, Flat, 0.25, Sae	4
	35 1040467	(001319- 001882)	Screw, Hex, M6 X 1.00 X 20, 9.8, Sems	2
	36 1061277	(001319- 001882)	Bracket, Switch, Reverse	1
	37 08708	(001319- 001882)	Nut, Hex, Lock, M6 X 1.00, NI	4
	38 06943	(001319- 001882)	Screw, Hex, M6 X 1.00 X 20, 8.8	2
	1027798	(000000-) Lens, Red, F/ Revl / Flasher	1
	1027800	(000000-) Lens, Blu, F/ Revl / Flasher	1

Fig. 5 - Overhead Guard Kit

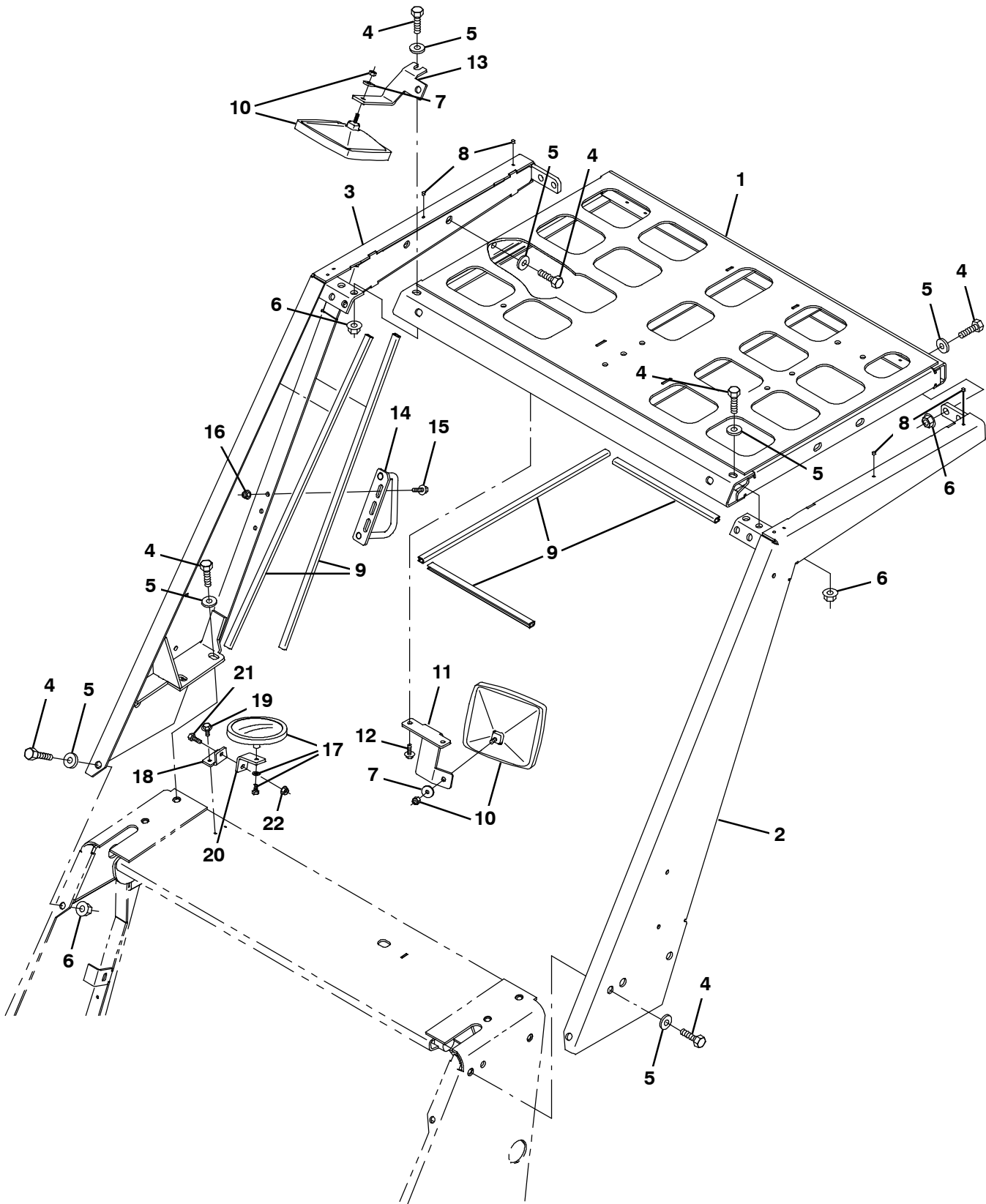


Fig. 5 - Overhead Guard Kit

	Ref.	Part No.	Serial Number	Description	Qty.
▽		9006015	(000000-) Ohg Kit, Ci [S20]	1
▲	1	1057585	(000000-) Panel Wldt, Top, Ohg	1
▲	2	1047704	(000000-) Channel Wldt, Ohg, Lh	1
▲	3	1047705	(000000-) Channel Wldt, Ohg, Rh	1
▲	4	41346	(000000-) Screw, Hex, M12 X 1.75 X 30, 8.8	22
▲	5	32486	(000000-) Washer Flat,0.50,Sae	22
▲	6	07793	(000000-) Nut, Hex, FIng, M12 X 1.75	10
▲	7	32491	(000000-) Washer, Flat, 0.31, Std	2
▲	8	379000	(000000-) Plug, Hole, Rnd, 0.22H .00- .06, Blk Nyl	4
▲	9	1046406	(000000-) Molding, Afmkt, Trim, Pvc, .18 .31, 08Ft	1
▲	10	49034	(000000-) Mirror, Convex, 06.7 X 06.2	2
▲	11	1047480	(000000-) Bracket, Mtg, Mirror	1
▲	12	763045	(000000-) Screw, Hex, M8 X 1.25 X 20, Fmg	2
▲	13	1049992	(000000-) Bracket, Mtg, Mirror, Top	1
▲	14	1055757	(000000-) Handle Wldt, Door	1
▲	15	1037354	(000000-) Screw, Hex, M8 X 1.25 X 30, 9.8, Sems	3
▲	16	07791	(000000-) Nut, Hex, FIng, M8 X 1.25	3
▲	17	1053233	(000000-) Mirror, Flat, 05.0d	1
▲	18	1049990	(000000-) Bracket, Mtg, Mirror, Brush	1
▲	19	361339	(000000-) Screw, Hex, M6 X 1.00 X 16, Fmg	2
▲	20	1049991	(000000-) Bracket, Mtg, Mirror, Brush	1
▲	21	06943	(000000-) Screw, Hex, M6 X 1.00 X 20, 8.8	1
▲	22	08708	(000000-) Nut, Hex, Lock, M6 X 1.00, NI	1

Fig. 6 - Cab Overhead Guard Group

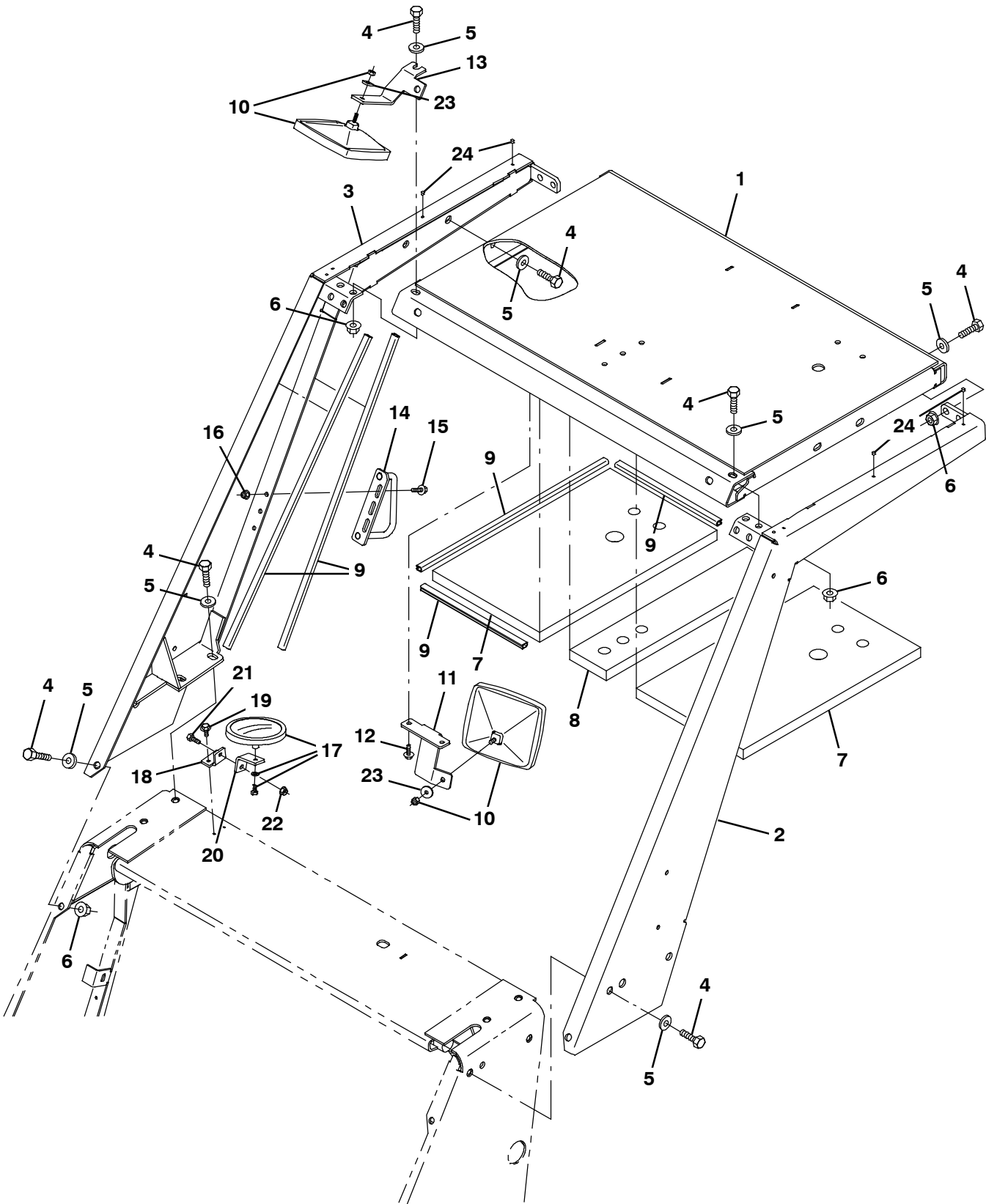


Fig. 6 - Cab Overhead Guard Group

NOTE: Cab Kit (including OHG), Tennant Part Number 9006304, includes; Fig. 6, Fig. 7 and Fig. 8.

Ref.	Part No.	Serial Number	Description	Qty.
1	1044075	(000000-) Panel Wldt, Top, Ohg	1
2	1047704	(000000-) Channel Wldt, Ohg, Lh	1
3	1047705	(000000-) Channel Wldt, Ohg, Rh	1
4	41346	(000000-) Screw, Hex, M12 X 1.75 X 30, 8.8	22
5	32486	(000000-) Washer Flat,0.50,Sae	22
6	07793	(000000-) Nut, Hex, Fing, M12 X 1.75	10
7	1049937	(000000-) Insulation, Acstc	2
8	1049938	(000000-) Insulation, Acstc	1
9	1046406	(000000-) Molding, Afmkt, Trim, Pvc, .18 .31, 08Ft	1
10	49034	(000000-) Mirror, Convex, 06.7 X 06.2	2
11	1047480	(000000-) Bracket, Mtg, Mirror	1
12	763045	(000000-) Screw, Hex, M8 X 1.25 X 20, Fmg	2
13	1049992	(000000-) Bracket, Mtg, Mirror, Top	1
14	1055757	(000000-) Handle Wldt, Door	1
15	1037354	(000000-) Screw, Hex, M8 X 1.25 X 30, 9.8, Sems	3
16	07791	(000000-) Nut, Hex, Fing, M8 X 1.25	3
17	1053233	(000000-) Mirror, Flat, 05.0d	1
18	1049990	(000000-) Bracket, Mtg, Mirror, Brush	1
19	361339	(000000-) Screw, Hex, M6 X 1.00 X 16, Fmg	2
20	1049991	(000000-) Bracket, Mtg, Mirror, Brush	1
21	06943	(000000-) Screw, Hex, M6 X 1.00 X 20, 8.8	1
22	08708	(000000-) Nut, Hex, Lock, M6 X 1.00, NI	1
23	32491	(000000-) Washer, Flat, 0.31, Std	2
24	379000	(000000-) Plug, Hole, Rnd, 0.22H .00- .06, Blk Nyl	4

Fig. 7 - Cab Frame and Windows Group

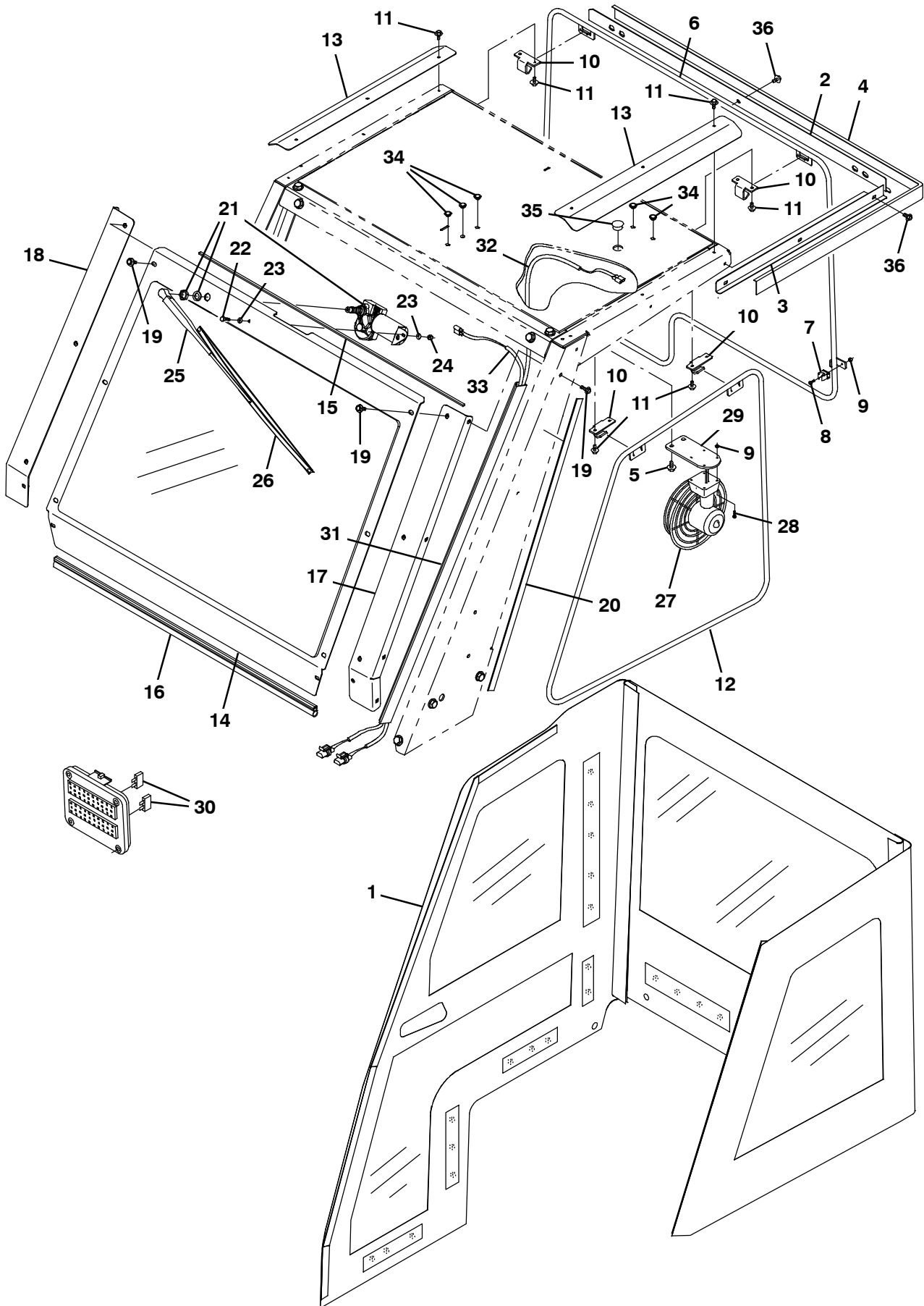


Fig. 7 - Cab Frame and Windows Group

NOTE: Cab Kit (For machines equipped with OHG), Tennant Part Number 9006307, includes; Fig. 7 and Fig. 8.

NOTE: Cab Kit (including OHG), Tennant Part Number 9006304, includes; Fig. 6, Fig. 7 and Fig. 8.

Ref.	Part No.	Serial Number	Description	Qty.
1	1049702	(000000-) Panel Assy, Cab	1
2	1064550	(001966-) Angle, Cab, Rear [Drip Ledge, S20]	1
3	1064551	(001966-) Angle, Cab, Side [Drip Ledge, S20]	1
4	312584	(001966-) Seal, Lip [76038ddur]	1
5	763045	(000000-) Screw, Hex, M8 X 1.25 X 20, Fmg	2
6	1047690	(000000-) Panel Wldt, Frame, Rear	1
7	1047592	(000000-) Clip, Grip, Pipe, 0.50, Plstc	1
8	06927	(000000-) Screw, Pan, Phl, M4 X 0.70 X 16, 4.8	1
9	02850	(000000-) Nut, Hex, Lock, M4 X 0.70, NI	4
10	1047653	(000000-) Bracket, Mtg, Panel, Cab	4
11	361339	(000000-) Screw, Hex, M6 X 1.00 X 16, Fmg	14
12	1047456	(000000-) Panel Wldt, Frame, Cab	1
13	1047706	(000000-) Plate, Shield, Top	2
14	1048849	(000000-) Pane Assy, Windshield	1
15	1055606	(000000-) Seal, .19, .25w 39.2l, Adh	1
16	1031617	(000000-) Seal, Afrmkt, Bulb, Str, .75d F/07ga 08ft	1
17	1045567	(000000-) Angle, Mtg, Wndw, Lh	1
18	1045569	(000000-) Angle, Mtg, Wndw, Rh	1
19	1037346	(000000-) Screw, Hex, M8 X 1.25 X 25, 9.8, Sems	16
20	314012	(000000-) Tape, Hook, 1.0w [Velcro]	1
21	1048222	(000000-) Motor Assy, Ele, Wiper, 12vdc 85deg	1
22	09252	(000000-) Screw, Hex, M5 X 0.80 X 20, 8.8	1
23	19066	(000000-) Washer, Flat, 10	2
24	06549	(000000-) Nut, Hex, Lock, M5 X 0.80, NI	1
25	1048640	(000000-) Arm, Wiper, Windshield 16.0l	1
26	1048639	(000000-) Blade, Wiper, Windshield, 22.0l	1
27	55041	(000000-) Fan, Defroster, 12vdc, 07.3d	1
28	09228	(000000-) Screw, Hex, M4 X 0.70 X 20, 8.8	3
29	1049781	(000000-) Bracket, Mtg, Fan	1
30	1049734	(000000-) Fuse, Blade, 005a, 32vdc [Mini]	2
31	55034	(000000-) Duct, Vyl, 0.74 X 1.50 .75d Max 48.0l	1
32	1050162	(000000-) Harness, Fan, Ic [S20]	1
33	1048522	(000000-) Harness, Wiper, Windshield, Ic [S20]	1
34	361346	(000000-) Plug, Hole, Rnd, 0.38h .3l, Plstc	5
35	1053385	(000000-) Plug, Hole, Rnd, 1.00h .14- .25, Blk Nyl	1
36	361339	(001966-) Screw, Hex, M6 X 1.00 X 16, Fmg	4

Fig. 8 - Cab Door Group

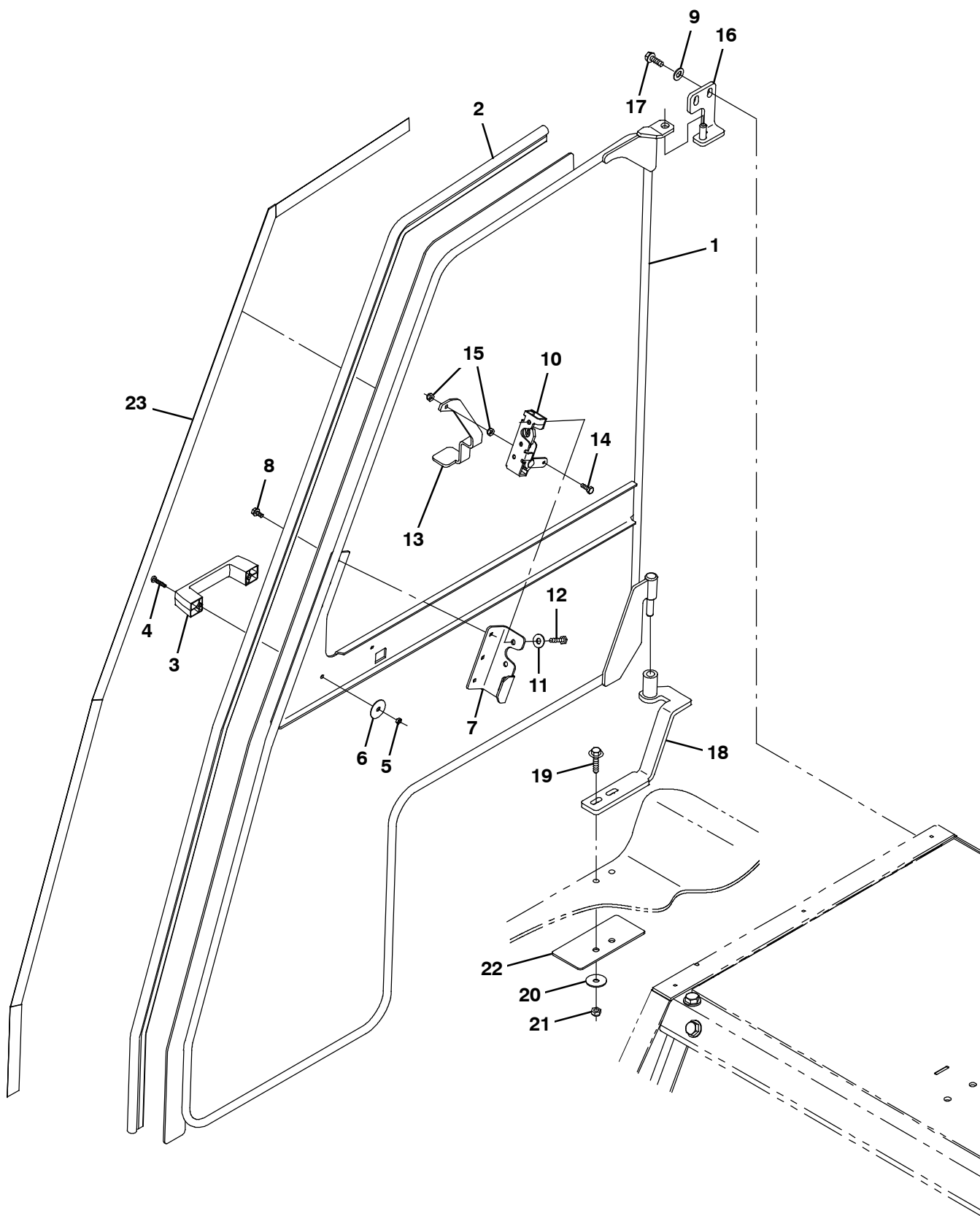


Fig. 8 - Cab Door Group

*NOTE: Cab Kit (For machines equipped with OHG), Tennant Part Number 9006307, includes; Fig. 7 and Fig. 8.
NOTE: Cab Kit (including OHG), Tennant Part Number 9006304, includes; Fig. 6, Fig. 7 and Fig. 8.*

Ref.	Part No.	Serial Number	Description	Qty.
1	1045404	(000000-) Door Wldt, Cab	1
2	1048166	(000000-) Seal, Afmkt, Bulb, Str, 0.58D 08Ft	1
3	1023920	(000000-) Handle, Door	1
4	06935	(000000-) Screw, Pan, Phl, M5 X 0.80 X 25, 4.8	2
5	06549	(000000-) Nut, Hex, Lock, M5 X 0.80, NI	2
6	41178	(000000-) Washer, Flat, 0.25, Fendr	4
7	1052808	(000000-) Angle, Mtg, Latch	1
8	74455	(000000-) Screw, Hex, M6 X 1.00 X 12, Fmg	3
9	32485	(000000-) Washer, Flat, 0.38, Sae	3
10	59661	(000000-) Latch	1
11	41186	(000000-) Washer, Flat, Belleville, .31	2
12	25046	(000000-) Screw, Hex, .25- 20 X 1.00, G5	2
13	1053068	(000000-) Bracket, Latch, Door	1
14	06942	(000000-) Screw, Hex, M6 X 1.00 X 16, 8.8	1
15	08708	(000000-) Nut, Hex, Lock, M6 X 1.00, NI	2
16	1049687	(000000-) Angle Wldt, Mtg, Door	1
17	763045	(000000-) Screw, Hex, M8 X 1.25 X 20, Fmg	2
18	1047728	(000000-) Bracket Wldt, Mtg, Door	1
19	1037355	(000000-) Screw, Hex, M8 X 1.25 X 35, 9.8, Sems	2
20	30013	(000000-) Washer, Flat, 0.31, Fendr	2
21	08709	(000000-) Nut, Hex, Lock, M8 X 1.25, NI	2
22	1048161	(000000-) Plate, Sppt, Hinge	1
23	314012	(000000-) Tape, Hook, 1.0w [Velcro]	1

Fig. 9 - Deluxe Suspension Seat Kit

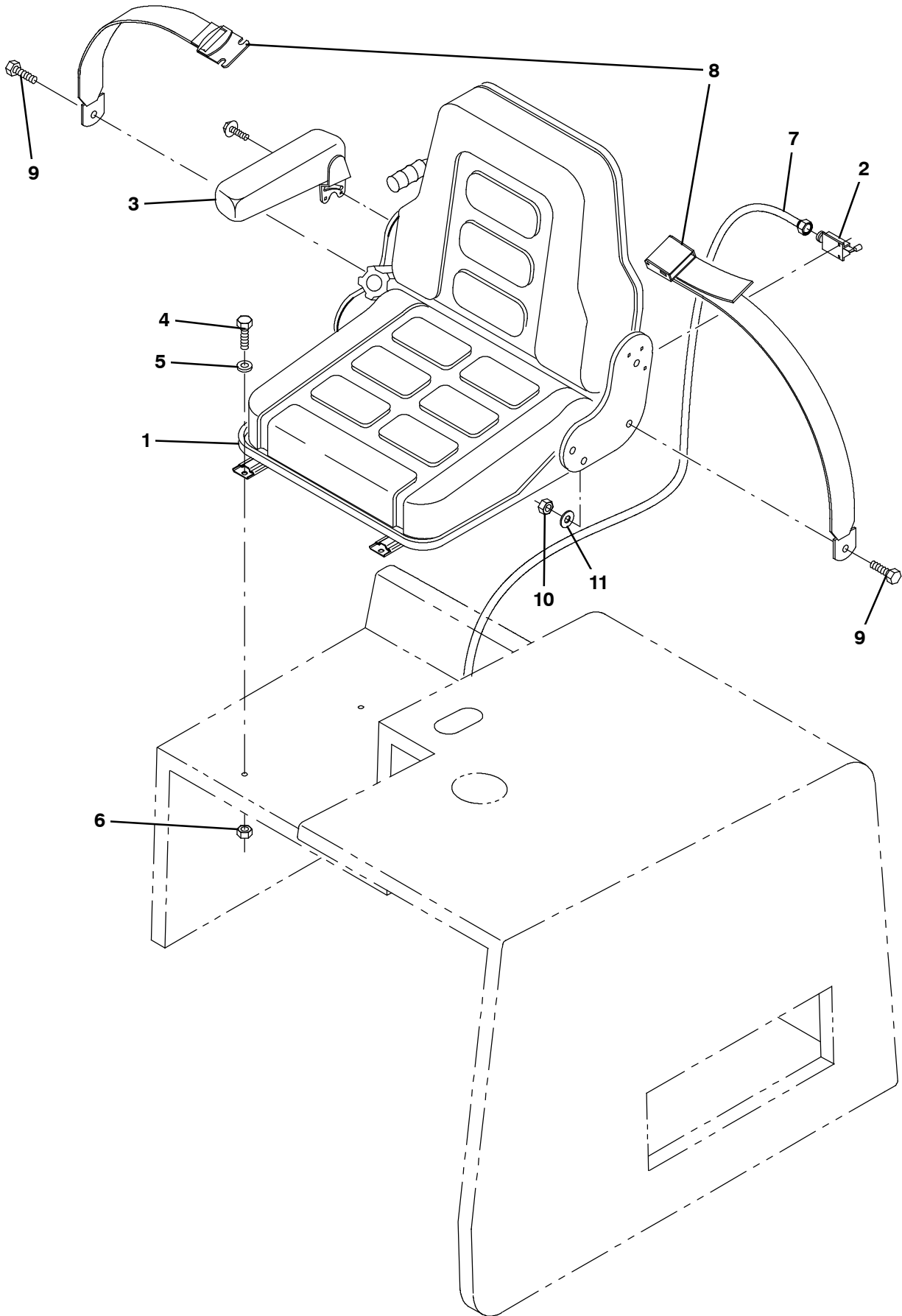
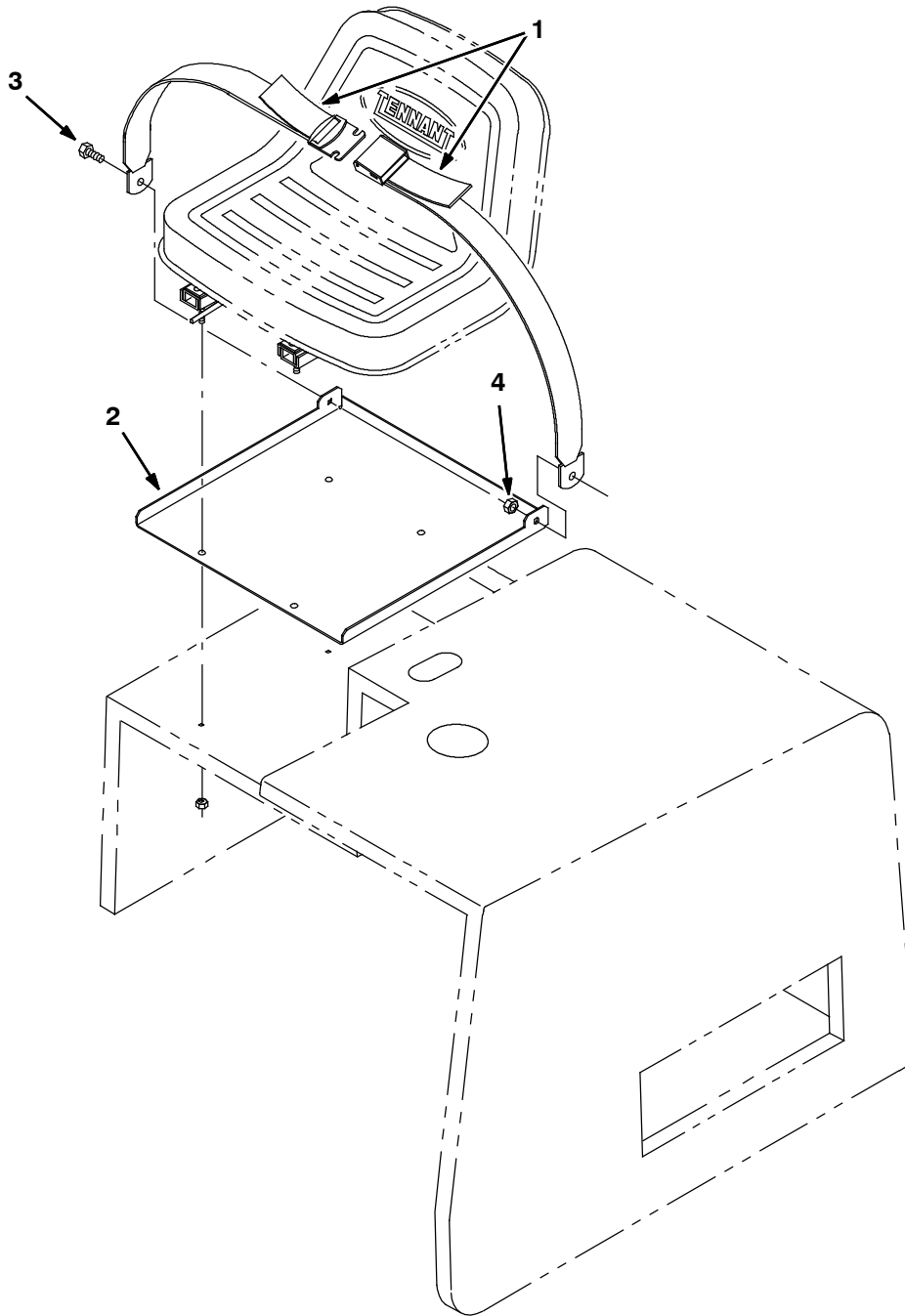


Fig. 9 - Deluxe Suspension Seat Kit

	Ref.	Part No.	Serial Number	Description	Qty.
▽		9006029	(000000-) Seat Kit, Dlx, Ci [S20]	1
▲	1	1056543	(000000-) Seat, Suspension [Grammer Gs12]	1
▲	2	69971	(000000-) Switch, Seat	1
▲	3	71477	(000000-) Armrest Assy, Rh, F/53845 [Grammer]	1
▲	4	41342	(000000-) Screw, Hex, M8 X 1.25 X 40, 8.8	4
▲	5	32490	(000000-) Washer, Flat, 0.25, Std	4
▲	6	08709	(000000-) Nut, Hex, Lock, M8 X 1.25, NI	4
▲	7	1056539	(000000-) Harness, Seat [S20]	1
▲	8	30533	(000000-) Seatbelt, 60.0l	1
▲	9	39283	(000000-) Screw, Hex, M10 X 1.50 X 25, 8.8	2
▲	10	41430	(000000-) Nut, Hex, Lock, M10 X 1.5, NI	2
▲	11	32490	(000000-) Washer, Flat, 0.25, Std	2

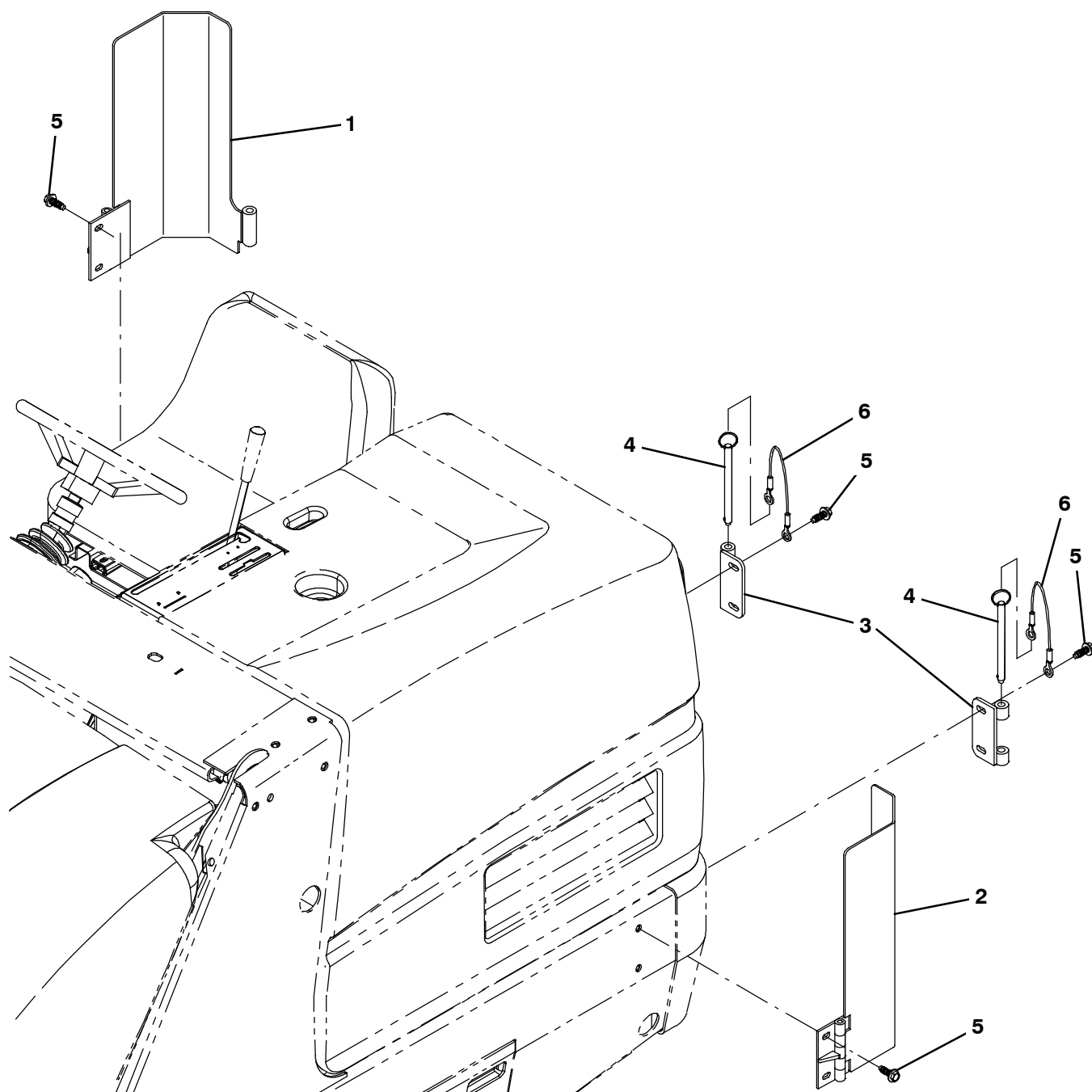
Fig. 10 - Seat Belt Kit



350033 - ALL

Ref.	Part No.	Serial Number	Description	Qty.
▽	360932	(000000-) Seatbelt Kit, Ci [6400]	1
▲	1 30533	(000000-) Seatbelt, 60.0l	1
▲	2 360630	(000000-) Plate, Mtg, Seatbelt	1
▲	3 06961	(000000-) Screw, Hex, M10 X 1.50 X 20, 8.8	2
▲	4 41430	(000000-) Nut, Hex, Lock, M10 X 1.5, NI	2

Fig. 11 - Corner Bumper Kit



354973 - ALL

Ref.	Part No.	Serial Number	Description	Qty.
▽	9006021	(000000-) Bumper Kit, Corner, Rear, Ci [S20]	1
▲	1 1047115	(000000-) Angle Wldt, Bmpr, Tower, Rh	1
▲	2 1047116	(000000-) Angle Wldt, Bmpr, Tower, Lh	1
▲	3 1048408	(000000-) Bracket Wldt, Mtg, Bmpr	2
▲	4 1043176	(000000-) Pin, Hitch, .500d X 6.00l, Pl	2
▲	5 1037358	(000000-) Screw, Hex, M10 X 1.50 X 35, 9.8, Sems	8
▲	6 87172	(000000-) Cable, Glv .13d 010.0l .52eye /.52eye	2

Fig. 12 - Dual Side Brush Lift Group, LH

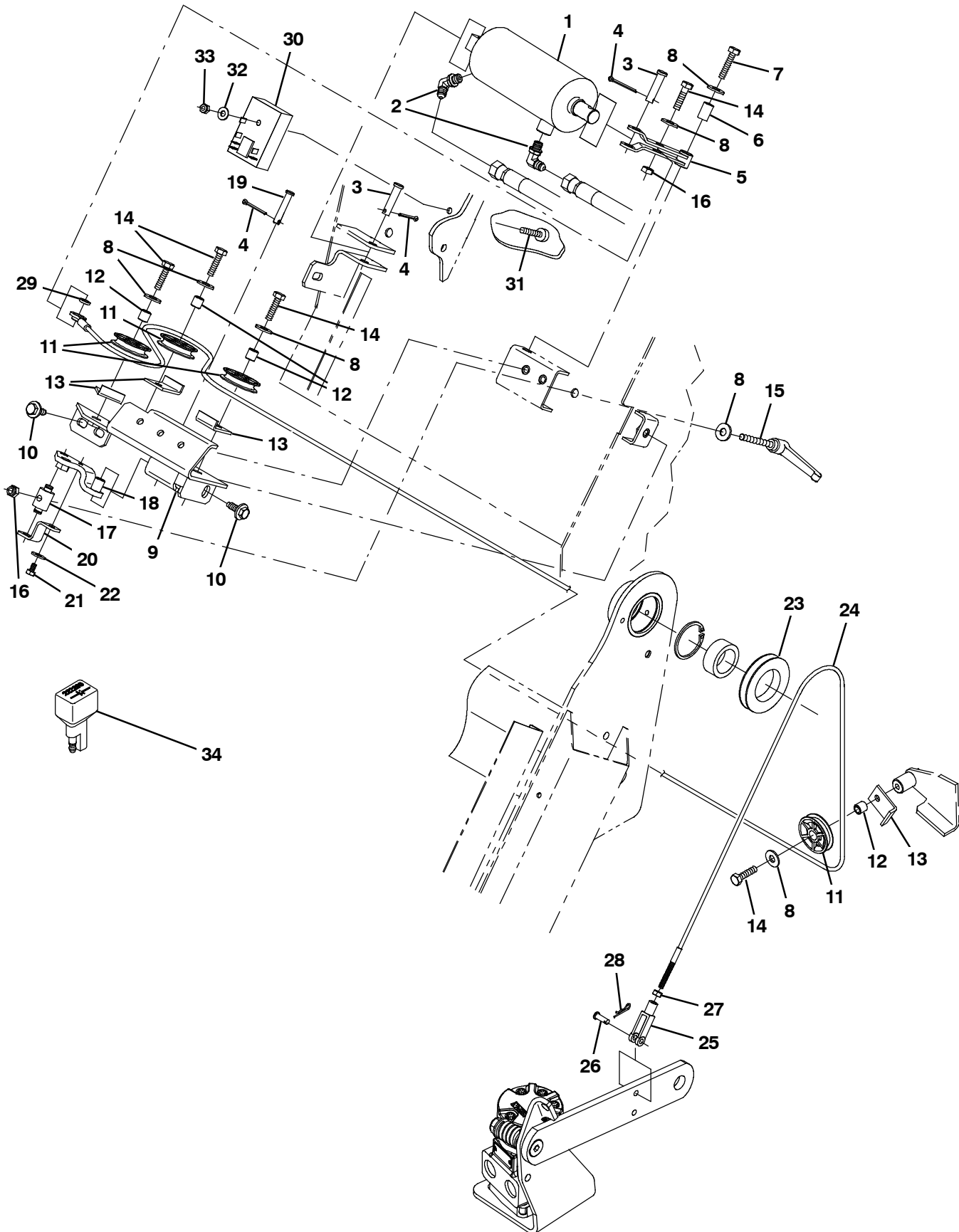


Fig. 12 - Dual Side Brush Lift Group, LH

NOTE: Dual Side Brush Kit, Tennant Part Number 9006040, includes; Fig. 12, Fig. 13, Fig. 14, Fig. 15 and Fig. 16.

Ref.	Part No.	Serial Number	Description	Qty.
1	1048556	(000000-) Cyl, Hyd, 2.5b 9.0l 01.50strk, 2500	1
2	77097	(000000- 002999) Fitting, Hyd, E90, Jm04/Om04	2
2	762427	(003000-) Fitting, Hyd, E90, Fm04/Om04	2
3	29558	(000000-) Pin, Clevis, 0.37d X 1.50l	2
4	08175	(000000-) Pin, Cotter, .125 X 1.25	3
5	1045647	(000000-) Pivot Wldt	1
6	51562	(000000-) Tube, 0.33id 0.51od 00.8l, Stl, Pl	1
7	06955	(000000-) Screw, Hex, M8 X 1.25 X 35, 8.8	1
8	32491	(000000-) Washer, Flat, 0.31, Std	7
9	1045563	(000000-) Plate Wldt	1
10	1037346	(000000-) Screw, Hex, M8 X 1.25 X 25, 9.8, Sems	3
11	369781	(000000-) Pulley, Cable, 1.5d Nyl	4
12	222460	(000000-) Sleeve, P/M, 0.32b 0.50d 0.5l [430ss]	4
13	54400	(000000-) Bracket, Angle, Keeper, Cable	4
14	76570	(000000-) Screw, Hex, M8 X 1.25 X 30, 8.8	5
15	360414	(000000-) Lever, Adj, Metal	1
16	08709	(000000-) Nut, Hex, Lock, M8 X 1.25, NI	2
17	71126	(000000-) Block, Adj, Pivot	1
18	1045571	(000000-) Pivot Wldt, Sba	1
19	397249	(000000-) Pin, Clevis, 0.31d X 1.62l	1
20	1045475	(000000-) Angle, Bottom	1
21	06941	(000000-) Screw, Hex, M6 X 1.00 X 10, 8.8	1
22	32490	(000000-) Washer, Flat, 0.25, Std	1
23	360077	(000000-) Pulley, Cable, 3.0d 1.76b, .25d Cable	1
24	1046498	(000000-) Cable, Ss .12d 89.0l .55eye / M6- 1.0	1
25	1035826	(000000-) Clevis, Adj, M6 Pin, M6 X 1.0 Rh, Pl	1
26	14605	(000000-) Pin, Clevis, 0.25d X 0.75l	1
27	07785	(000000-) Nut, Hex, Std, M6 X 1.00, Ss	1
28	08085	(000000-) Pin, Cotter, Hair, 0.31D .058 Wir	1
29	360801	(000000-) Sleeve, 0.32b 0.50d 0.3l, 2cham, Ss	1
30	1046037	(000000-) Timer, 12vdc, 10a [Left Hand Side Brush]	1
31	1054873	(000000-) Screw, Pan, Phl, M6 X 1.0 X 40, Blk	1
32	41359	(000000-) Nut, Hex, Std, M6 X 1.00, 8	1
33	01684	(000000-) Washer, Flat, 0.27b 0.69d .05, Ss	1
34	222290	(000000-) Diode, Ele, Plug	1

Fig. 13 - Dual Side Brush Motor and Pivot Group, LH

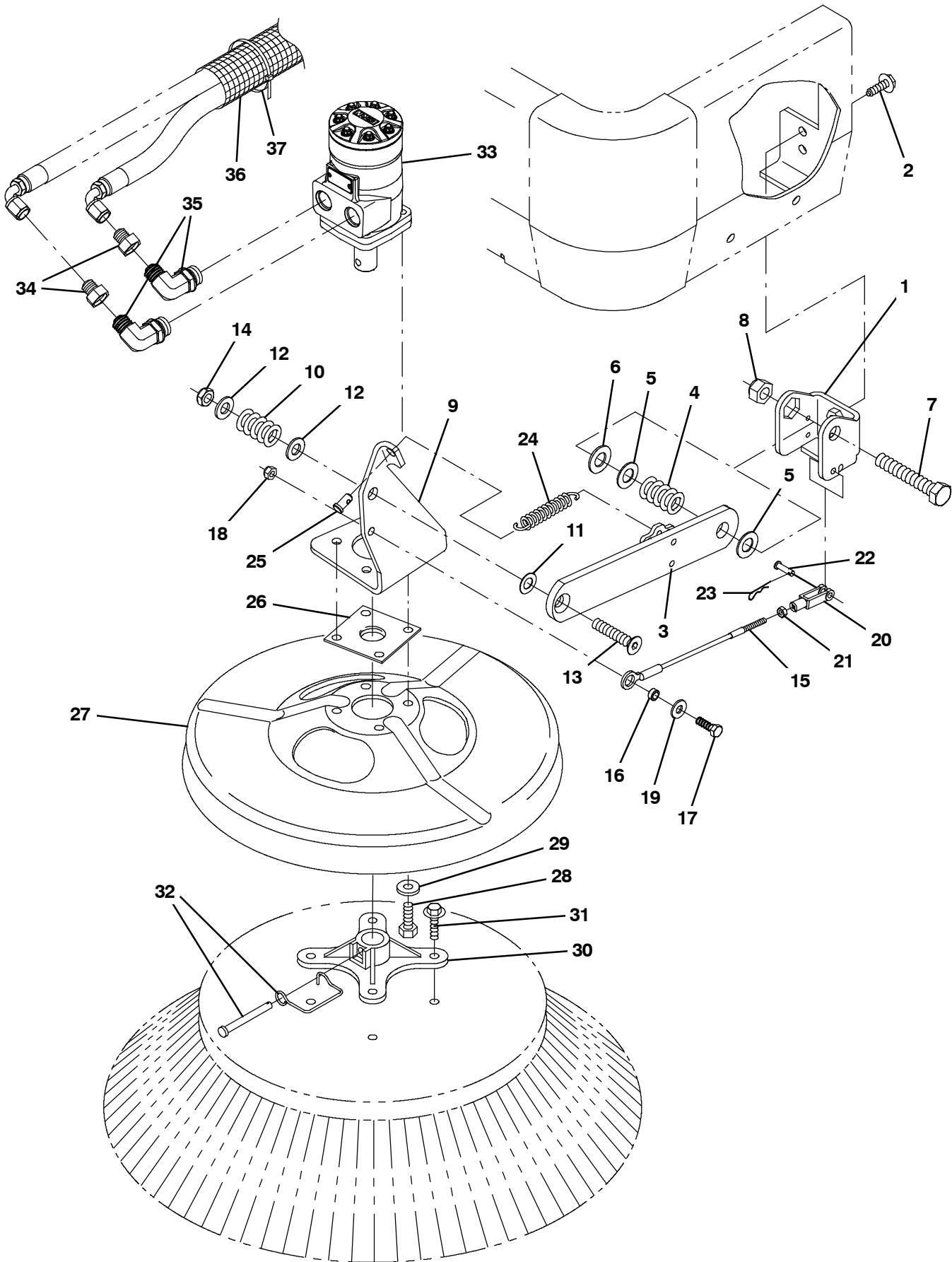
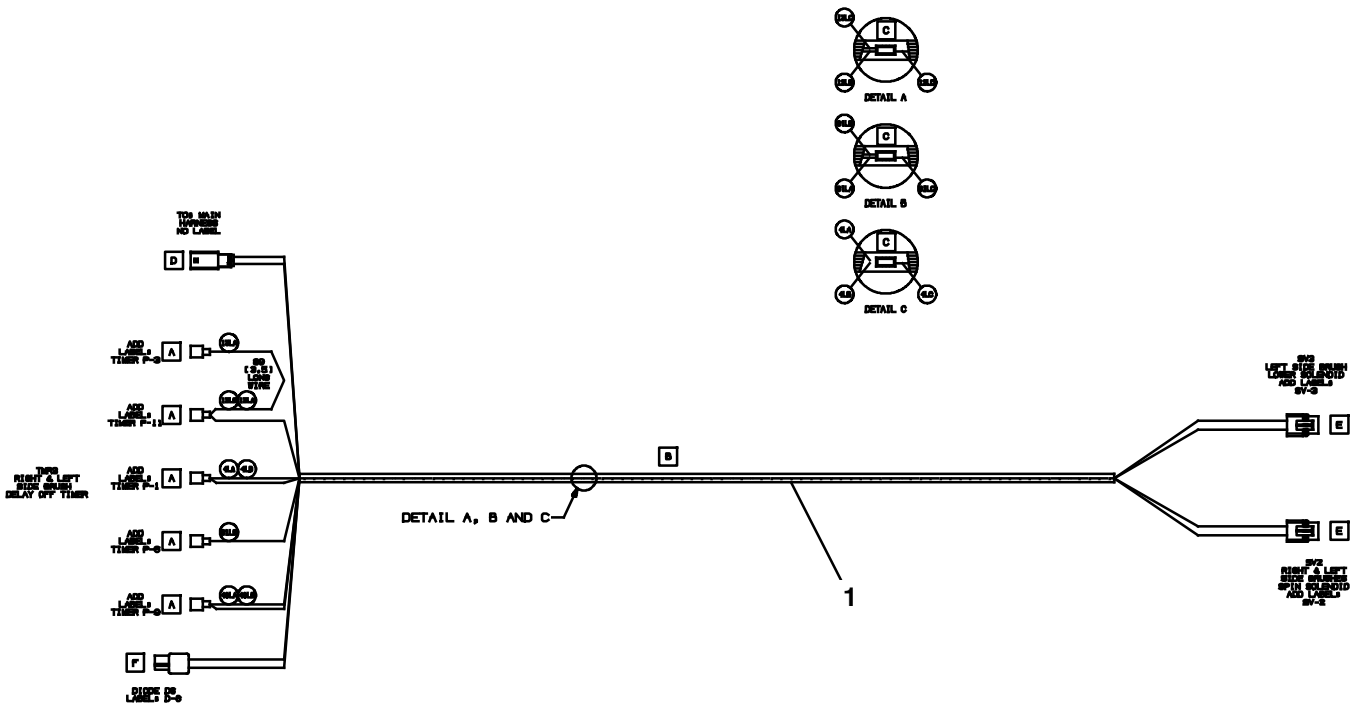


Fig. 13 - Dual Side Brush Motor and Pivot Group, LH

NOTE: Dual Side Brush Kit, Tennant Part Number 9006040, includes; Fig. 12, Fig. 13, Fig. 14, Fig. 15 and Fig. 16.

Ref.	Part No.	Serial Number	Description	Qty.
1	1042727	(000000-) Bracket, Sidebrush, Lh	1
2	1037358	(000000-) Screw, Hex, M10 X 1.50 X 35, 9.8, Sems	2
3	1042730	(000000-) Arm Wldt, Lift, Lh	1
4	360081	(000000-) Spring, Dsl, 1.25od 0.62id 1.80l	1
5	64425	(000000-) Washer, Thrust, 0.61b 1.25d .06, Fgl	2
6	15331	(000000-) Washer, Flat, 0.62, Sae	1
7	06988	(000000-) Screw, Hex, M16 X 2.00 X 90, 8.8	1
8	33342	(000000-) Nut, Hex, Lock, M16 X 2.00, NI	1
9	1046248	(000000-) Bracket, Mtg, Motor, Lh	1
10	360357	(000000-) Spring, Dsl, 1.00od 0.50id 1.25l	1
11	59633	(000000-) Washer, Thrust, 0.53b 1.00d 0.03w[Fbrgl]	1
12	32486	(000000-) Washer Flat,0.50,Sae	2
13	27108	(000000-) Screw, Flt, Soc, .50- 13 X 2.50, AI	1
14	86029	(000000-) Nut, Hex, Flexlock, .50- 13, Thin	1
15	1048311	(000000-) Cable, Ss .19d 008.5l .55eye / M6- 1.0	1
16	360801	(000000-) Sleeve, 0.32b 0.50d 0.3l, 2cham, Ss	1
17	09010	(000000-) Screw, Hex, M8 X 1.25 X 25, Ss	1
18	08713	(000000-) Nut, Hex, Lock, M8 X 1.25, NI, Ss	1
19	01685	(000000-) Washer, Flat, 0.38b 0.88d .08, Ss	1
20	1035826	(000000-) Clevis, Adj, M6 Pin, M6 X 1.0 Rh, PI	1
21	07785	(000000-) Nut, Hex, Std, M6 X 1.00, Ss	1
22	14605	(000000-) Pin, Clevis, 0.25d X 0.75l	1
23	08085	(000000-) Pin, Cotter, Hair, 0.31d .058 Wir	1
24	29499	(000000-) Spring, Extn, 0.75od 0.11wir 04.5l	1
25	41305	(000000-) Pin, Clevis, 0.37d X 0.75l	1
26	16082	(000000-) Guard, String, Motor, Brush	1
27	1054256	(000000-) Guard, Brush	1
28	46559	(000000-) Screw, Hex, .38- 16 X 1.25, NI	4
29	32492	(000000-) Washer, Flat, 0.38, Std	4
30	47501	(000000-) Hub, Adapter, Brush, 1.00b	1
31	39396	(000000-) Screw, Hex, .31- 12 X 1.50, Fmg [Ab]	4
32	84581	(000000-) Pin Assy, Side Brush W/ Clip	1
33	361014	(000000- 002395)) Motor, Hyd, Gear, Int 09.7 Bi- Dir 1500 (See Breakdowns)	2
▽	33 1068802	(002396-) Motor, Hyd, Gear, Int 09.7 Bi- Dir 1500	2
▲	22615	(002396-) Seal Kit, Motor [CI]	1
34	47753	(000000- 002999)) Fitting, Hyd, Str, Jf08/Jm06	2
34	762458	(003000-) Fitting, Hyd, Str, Ff08/Fm06	2
35	56821	(000000- 002999)) Fitting, Hyd, E90, Jm08/Om10	2
35	767411	(003000-) Fitting, Hyd, E90, Fm08/Om10	2
36	31646	(000000-) Sleeve, Nyl, 1.63id 25.0l	1
37	49266	(000000-) Tie, Cable, Nyl, 07.3l .19w 1.8 Max D	1

Fig. 14 - Dual Side Brush Wire Harness Group

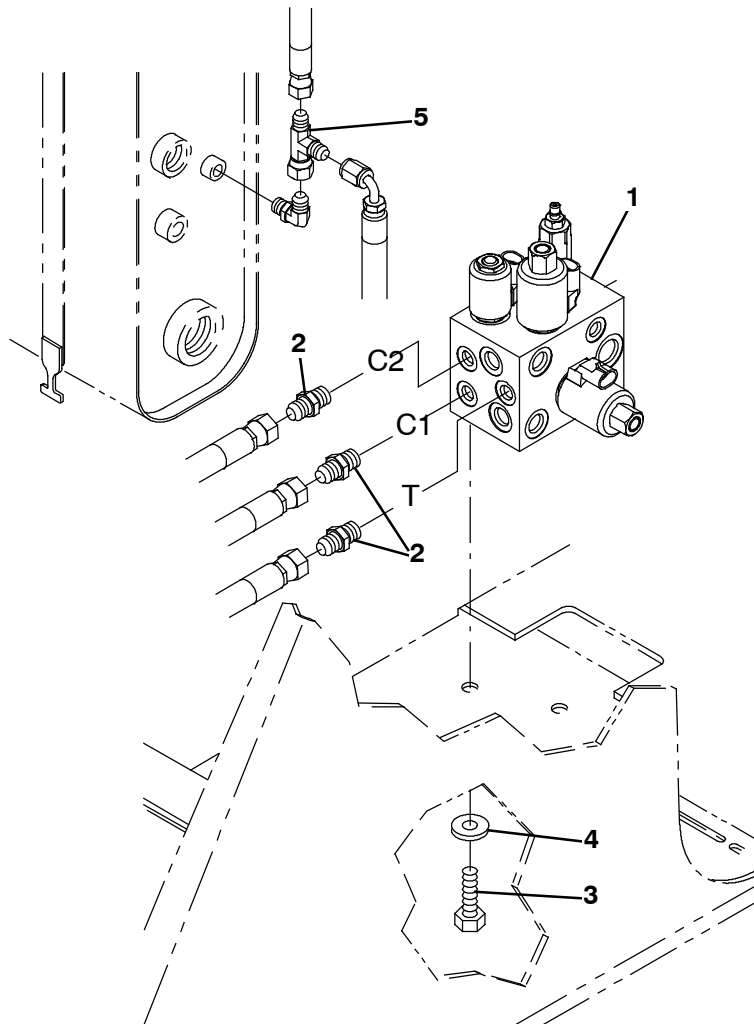


354984 - IC

NOTE: Dual Side Brush Kit, Tennant Part Number 9006040, includes; Fig. 12, Fig. 13, Fig. 14, Fig. 15 and Fig. 16.

Ref.	Part No.	Serial Number	Description	Qty.
1	1048526	(000000-)	Harness, Brush, Side, Lh, 12vdc [S20]	1

Fig. 15 - Dual Side Brush Hydraulic Valve Group



354967 - IC, NA

NOTE: Dual Side Brush Kit, Tennant Part Number 9006040, includes; Fig. 12, Fig. 13, Fig. 14, Fig. 15 and Fig. 16.

Ref.	Part No.	Serial Number	Description	Qty.
1	1045853	(000000-)	Valve, Hyd, Solenoid, 12vdc	1
2	55586	(000000- 002999)	Fitting, Hyd, Str, Jm04/Om04	3
2	762428	(003000-)	Fitting, Hyd, Str, Fm04/Om04	3
3	06961	(000000-)	Screw, Hex, M10 X 1.50 X 20, 8.8	2
4	32492	(000000-)	Washer, Flat, 0.38, Std	2
5	57988	(000000- 002999)	Fitting, Hyd, Tee, Jf04/Jm04/Jm04, Run	1
5	767422	(003000-)	Fitting, Hyd, Tee, Ff04/Fm04/Fm04, Run	1

Fig. 16 - Dual Side Brush Hydraulic Hose Diagram

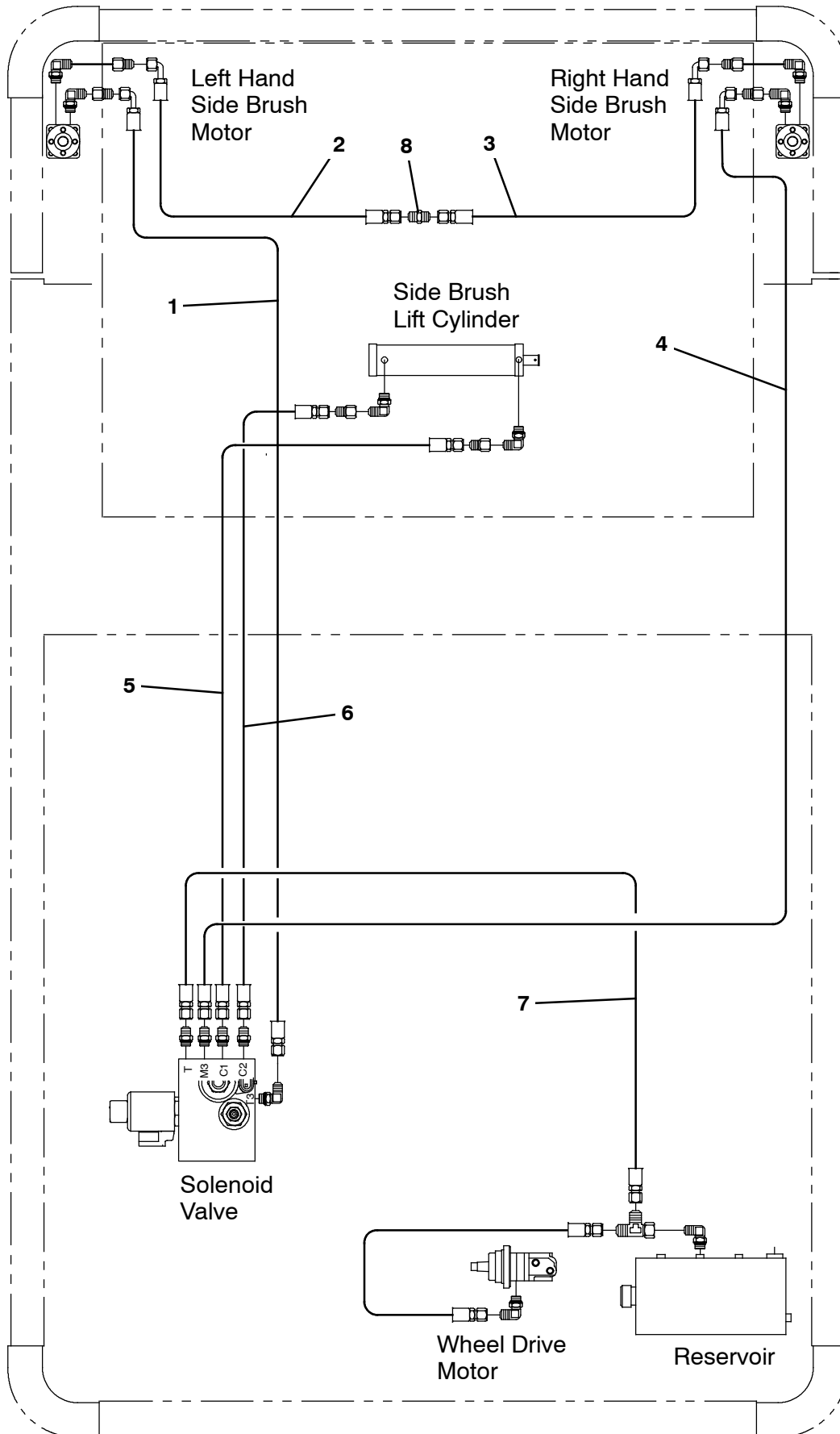


Fig. 16 - Dual Side Brush Hydraulic Hose Diagram

NOTE: Dual Side Brush Kit, Tennant Part Number 9006040, includes; Fig. 12, Fig. 13, Fig. 14, Fig. 15 and Fig. 16.

Ref.	Part No.	Serial Number	Description	Qty.
1	1043049	(000000- 002999)	Hose, Hyd, Tc06, Jf06e90/Jf06str, 120.0	1
1	1071759	(003000-)	Hose, Hyd, Tc06, Of06e90/Of06str, 120.0	1
2	1041941	(000000- 002999)	Hose, Hyd, Tc06, Jf06e90/Jf06str, 086.0	1
2	1071940	(003000-)	Hose, Hyd, Tc06, Of06e90/Of06str, 086.0	1
3	31597	(000000- 002999)	Hose, Hyd, Med06, Jf06e90/Jf06str, 068.0	1
3	1071776	(003000-)	Hose, Hyd, Med06, Of06e90/Of06str, 068.0	1
4	361041	(000000- 002999)	Hose, Hyd, Med06, Jf06e90/Jf06str, 114.0	1
4	1071720	(003000-)	Hose, Hyd, Med06, Of06e90/Of06str, 114.0	1
5	1052670	(000000- 002999)	Hose, Hyd, Tc04, Jf04str/Jf04str, 048.0	1
5	1071938	(003000-)	Hose, Hyd, Tc04, Of04str/Of04str, 048.0	1
6	1036203	(000000- 002999)	Hose, Hyd, Tc04, Jf04str/Jf04str, 042.0	1
6	1071764	(003000-)	Hose, Hyd, Tc04, Of04str/Of04e90, 070.0	1
7	1040629	(000000- 002999)	Hose, Hyd, Tc04, Jf04str/Jf04str, 058.0	1
7	1071939	(003000-)	Hose, Hyd, Tc04, Of04str/Of04str, 058.0	1
8	15803	(000000- 002999)	Fitting, Hyd, Str, Jm06/Jm06	1
8	762443	(003000-)	Fitting, Hyd, Str, Fm06/Fm06 Bh	1

Fig. 17 - Side Brush Dust Control Kit

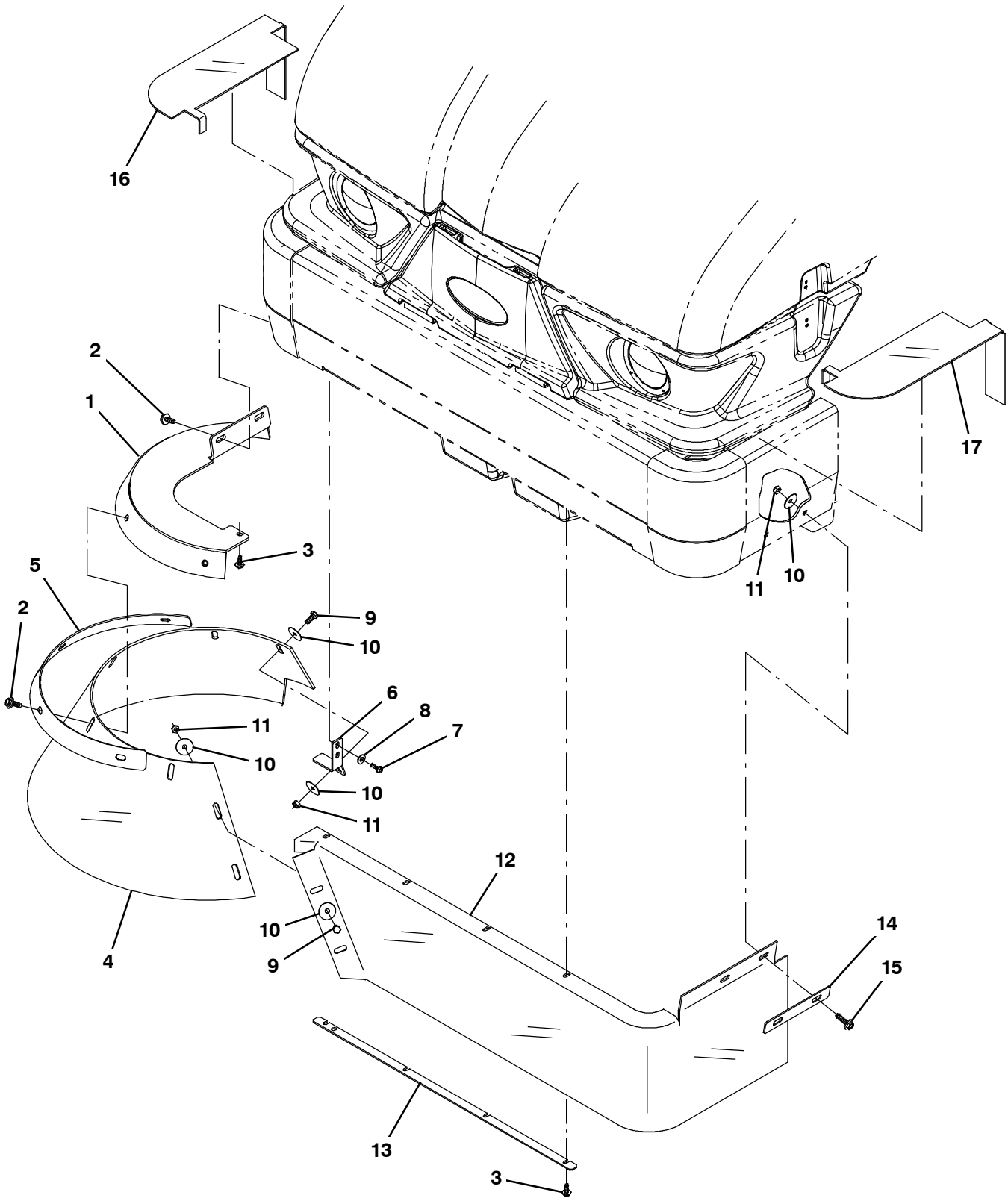


Fig. 17 - Side Brush Dust Control Kit

	Ref.	Part No.	Serial Number	Description	Qty.
▽		9006013	(000000-) Sbdc Kit, W/O Lh Side Brush, Ci [S20]	1
▲	1	1054371	(000000-) Support Wldt, Rh, Sbdc	1
▲	2	1037346	(000000-) Screw, Hex, M8 X 1.25 X 25, 9.8, Sems	6
▲	3	1040467	(000000-) Screw, Hex, M6 X 1.00 X 20, 9.8, Sems	5
▲	4	1054391	(000000-) Skirt, Brush, Side, Sbdc	1
▲	5	1054567	(000000-) Retainer, Skirt	1
▲	6	1047696	(000000-) Bracket, Sbdc, Rh	1
▲	7	12459	(000000-) Screw, Hex, M6 X 1.00 X 20, Fmg	2
▲	8	32490	(000000-) Washer, Flat, 0.25, Std	2
▲	9	09740	(000000-) Screw, Hex, M8 X 1.25 X 20, Ss	3
▲	10	30013	(000000-) Washer, Flat, 0.31, Fendr	8
▲	11	08709	(000000-) Nut, Hex, Lock, M8 X 1.25, NI	5
▲	12	1054625	(000000-) Skirt, Brush, Side, Sbdc [W/O Lhsb]	1
▲	13	1048720	(000000-) Retainer, Skirt	1
▲	14	1048883	(000000-) Retainer, Skirt	1
▲	15	1037355	(000000-) Screw, Hex, M8 X 1.25 X 35, 9.8, Sems	2
▲	16	1047773	(000000-) Seal, Top, Sbdc	1
▲	17	1054369	(000000-) Seal, Top, Lh, Sbdc	1

Fig. 18 - Dual Side Brush Dust Control Kit

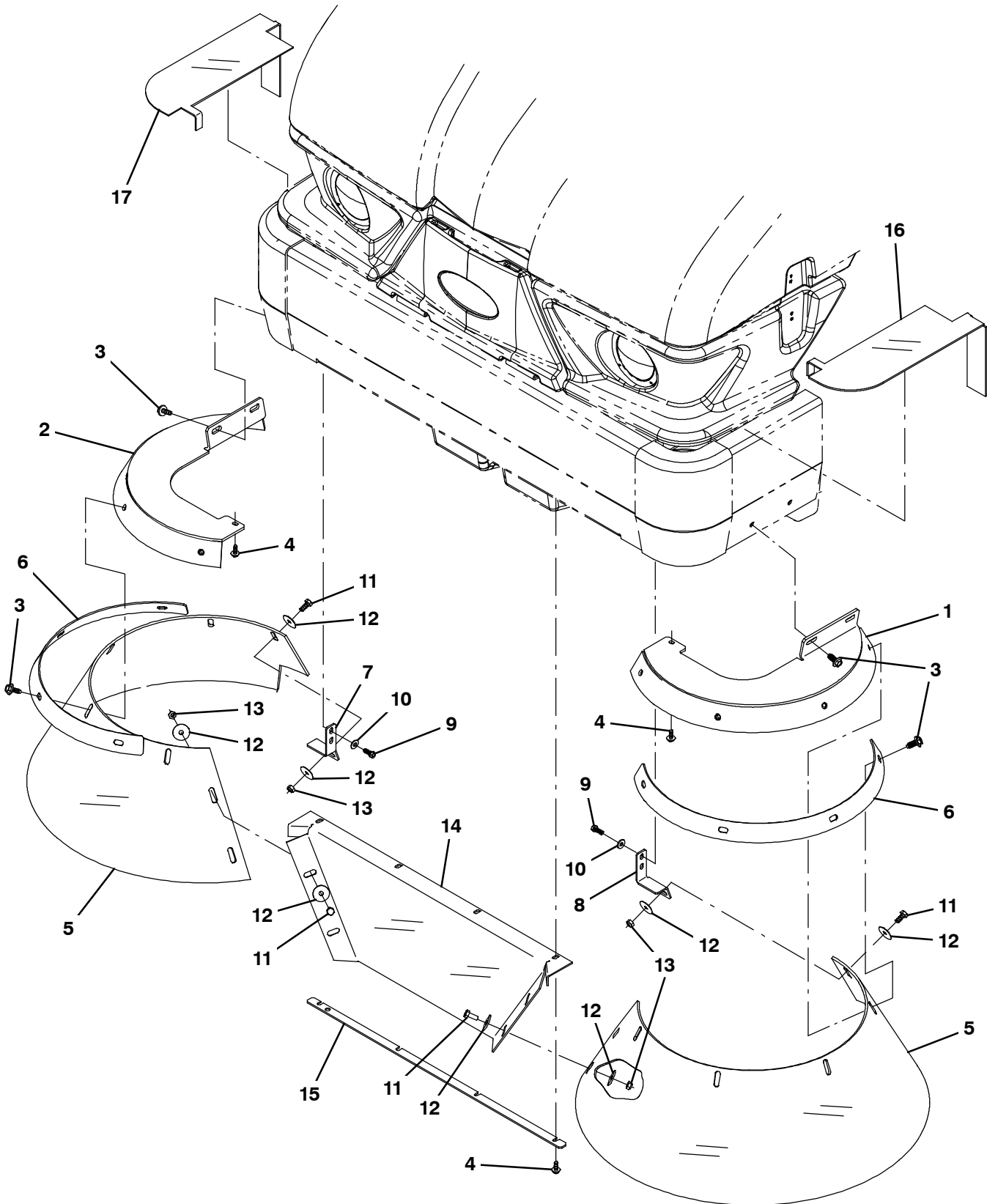


Fig. 18 - Dual Side Brush Dust Control Kit

	Ref.	Part No.	Serial Number	Description	Qty.
▽		9006014	(000000-) Sbdc Kit, W/ Lh Side Brush, Ci [S20]	1
▲	1	1054374	(000000-) Support Wldt, Lh, Sbdc	1
▲	2	1054371	(000000-) Support Wldt, Rh, Sbdc	1
▲	3	1037346	(000000-) Screw, Hex, M8 X 1.25 X 25, 9.8, Sems	12
▲	4	1040467	(000000-) Screw, Hex, M6 X 1.00 X 20, 9.8, Sems	6
▲	5	1054391	(000000-) Skirt, Brush, Side, Sbdc	2
▲	6	1054567	(000000-) Retainer, Skirt	2
▲	7	1047696	(000000-) Bracket, Sbdc, Rh	1
▲	8	1048785	(000000-) Bracket, Sbdc, Lh	1
▲	9	12459	(000000-) Screw, Hex, M6 X 1.00 X 20, Fmg	4
▲	10	32490	(000000-) Washer, Flat, 0.25, Std	4
▲	11	09740	(000000-) Screw, Hex, M8 X 1.25 X 20, Ss	6
▲	12	30013	(000000-) Washer, Flat, 0.31, Fendr	12
▲	13	08709	(000000-) Nut, Hex, Lock, M8 X 1.25, NI	6
▲	14	1048718	(000000-) Skirt, Sbdc, Sba, Lh	1
▲	15	1048720	(000000-) Retainer, Skirt	1
▲	16	1054369	(000000-) Seal, Top, Lh, Sbdc	1
▲	17	1047773	(000000-) Seal, Top, Sbdc	1

Fig. 19 - Vacuum Wand Kit

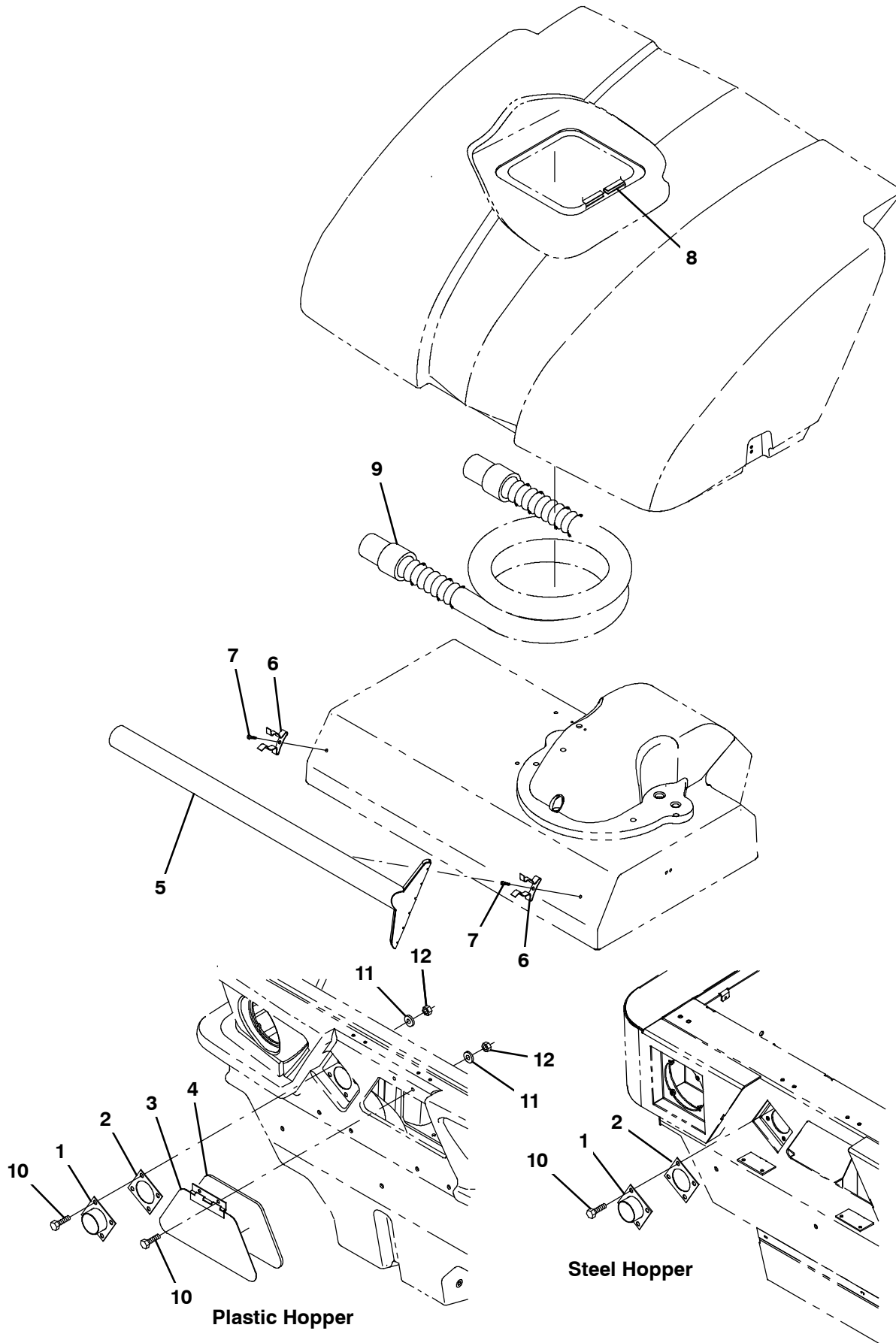
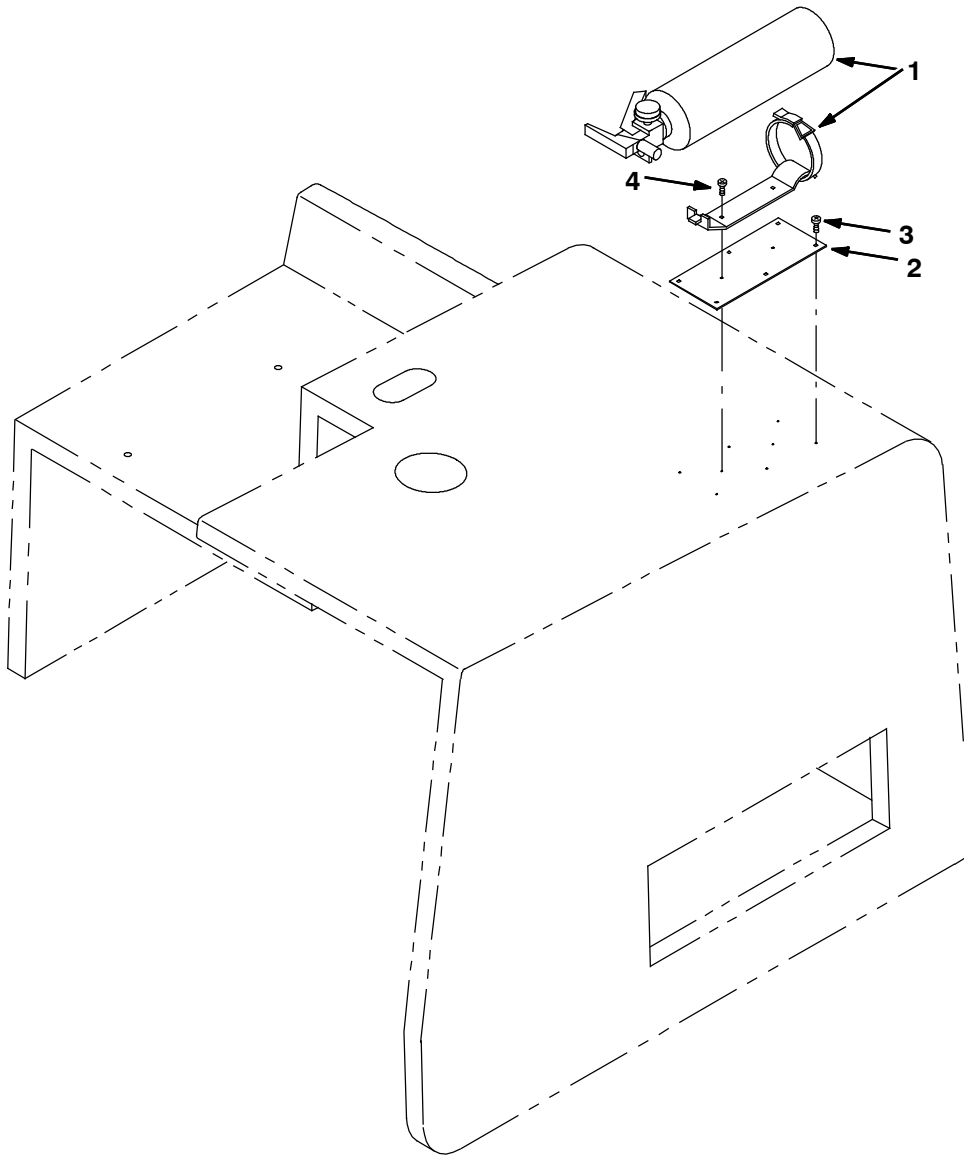


Fig. 19 - Vacuum Wand Kit

	Ref.	Part No.	Serial Number	Description	Qty.
▽		9006023	(000000-) Wand Kit, Vacuum, Ci [S20]	1
▲	1	1052620	(000000-) Adapter Wldt, Wand, Vacuum	1
▲	2	55965	(000000-) Seal, Rbr, 0.06, Tube, Vacuum Wand	1
▲	3	1047632	(000000-) Door Wldt, Wand, Vacuum	1
▲	4	1047635	(000000-) Gasket, Door, Wand, Vacuum	1
▲	5	9006909	(000000-) Wand, Vacuum, W/ Label, Na [S20]	1
▲	5	9006911	(000000-) Wand, Vacuum, W/ Label, JP [S20]	1
▲	6	67004	(000000-) Clip, Grip, Finger, 1.00- 1.88d,White Vyl	2
▲	7	360973	(000000-) Screw, Pan, 12- 16 X 0.50, F/ Plstc	2
▲	8	07887	(000000-) Molding, Trim, Pvc, .08- .11 39.2l	1
▲	9	54009	(000000-) Hose Assy, W/2cuff, 2.0d 120l 2.0/2.0	1
▲	10	08716	(000000-) Screw, Hex, M6 X 1.00 X 20, Ss	6
▲	11	32490	(000000-) Washer, Flat, 0.25, Std	6
▲	12	08708	(000000-) Nut, Hex, Lock, M6 X 1.00, NI	6

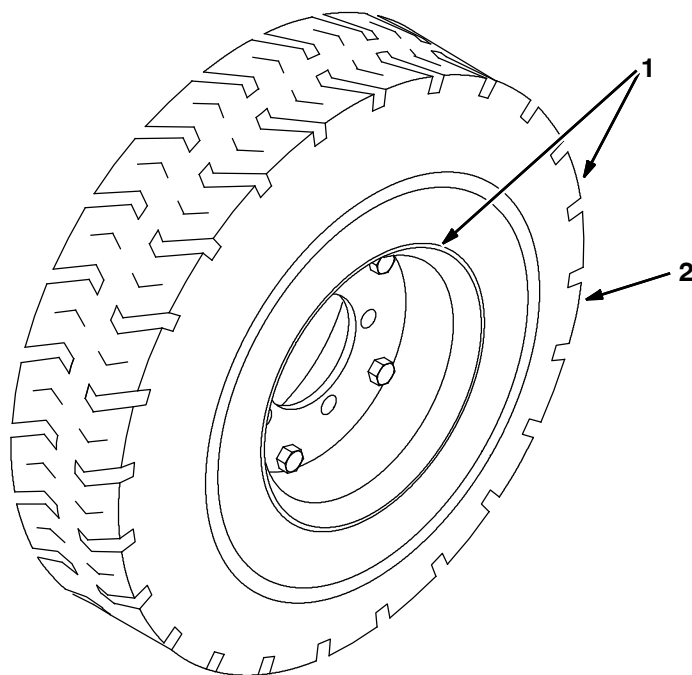
Fig. 20 - Fire Extinguisher Kit



350035 - ALL

Ref.	Part No.	Serial Number	Description	Qty.
▽	9006025	(000000-) Extinguisher Kit, Fire, Ci [S20]	1
▲	1 25312	(000000-) Extinguisher, Fire, 2.5 Lb Dry	1
▲	2 1052806	(000000-) Plate, Mtg, Fire Extinguisher	1
▲	3 360973	(000000-) Screw, Pan, 12- 16 X 0.50, F/ Plstc	6
▲	4 02863	(000000-) Screw, Pan, Phl, 10- 16 X 0.75, Fmg/Ab	2

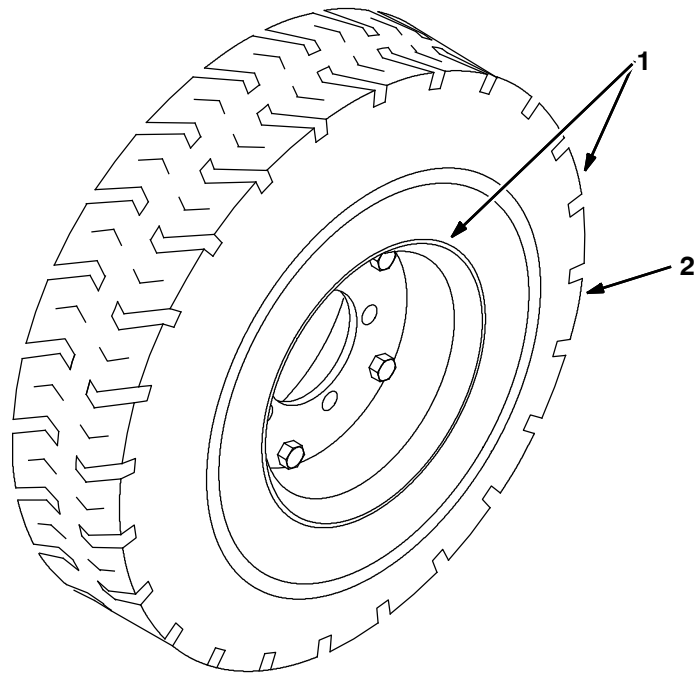
Fig. 21 - Soft Ride Non-Marking Tire and Wheel Assembly, Rear



350173 - IC

	Ref.	Part No.	Serial Number	Description	Qty.
▽	1	360295	(000000-) Tire and Wheel Assembly, Non-Marking Solid	1
▲	2	360163	(000000-) Tire, 4.00X8- 3.75 Sol. Non-Mark	1

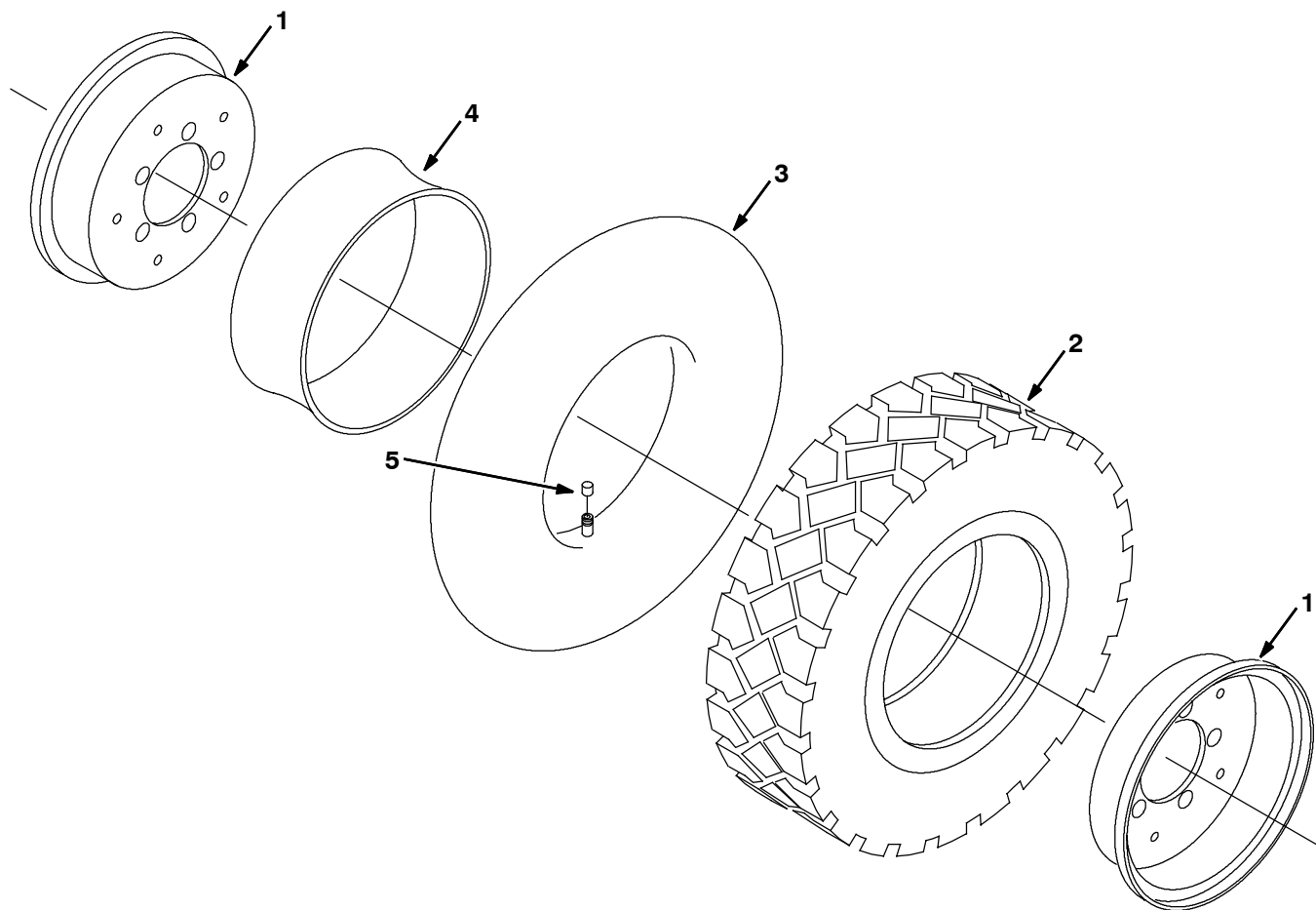
Fig. 22 - Soft Ride Puncture Proof Tire and Wheel Assembly, Rear



350173 - IC

	Ref.	Part No.	Serial Number	Description	Qty.
▽	1	360296	(000000-) Tire and Wheel Assy 4.00- 8 Solid	1
▲	2	360162	(000000-) Tire, 4.00X8- 3.75 Solid	1

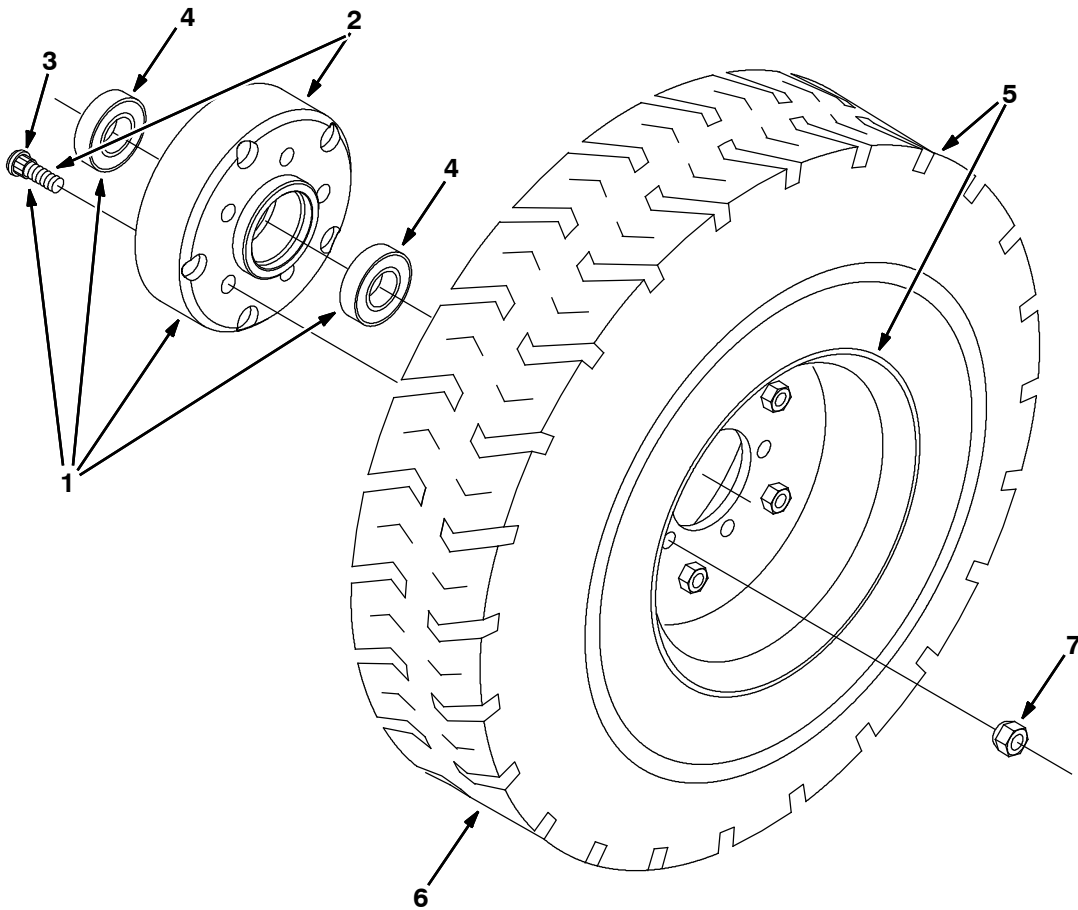
Fig. 23 - Radial Tire and Wheel Assembly, Rear



10932 - IC

Ref.	Part No.	Serial Number	Description	Qty.
▽	361069	(000000-) Tire and Wheel Assembly 16X6 RS Radial	1
▲	1 366104	(000000-) Rim Assembly	1
▲▽	366093	(000000-) Tire, Tube & Flap Assy	1
▲▲	2 360300	(000000-) Tire, 150/75R8 Pneumatic	1
▲▲	3 361077	(000000-) Tube, Tire- Inner 16X6- 8	1
▲▲	4 366092	(000000-) Flap, Tire 2F 500	1
▲	5 45786	(000000-) Cap, Valve Stem	1

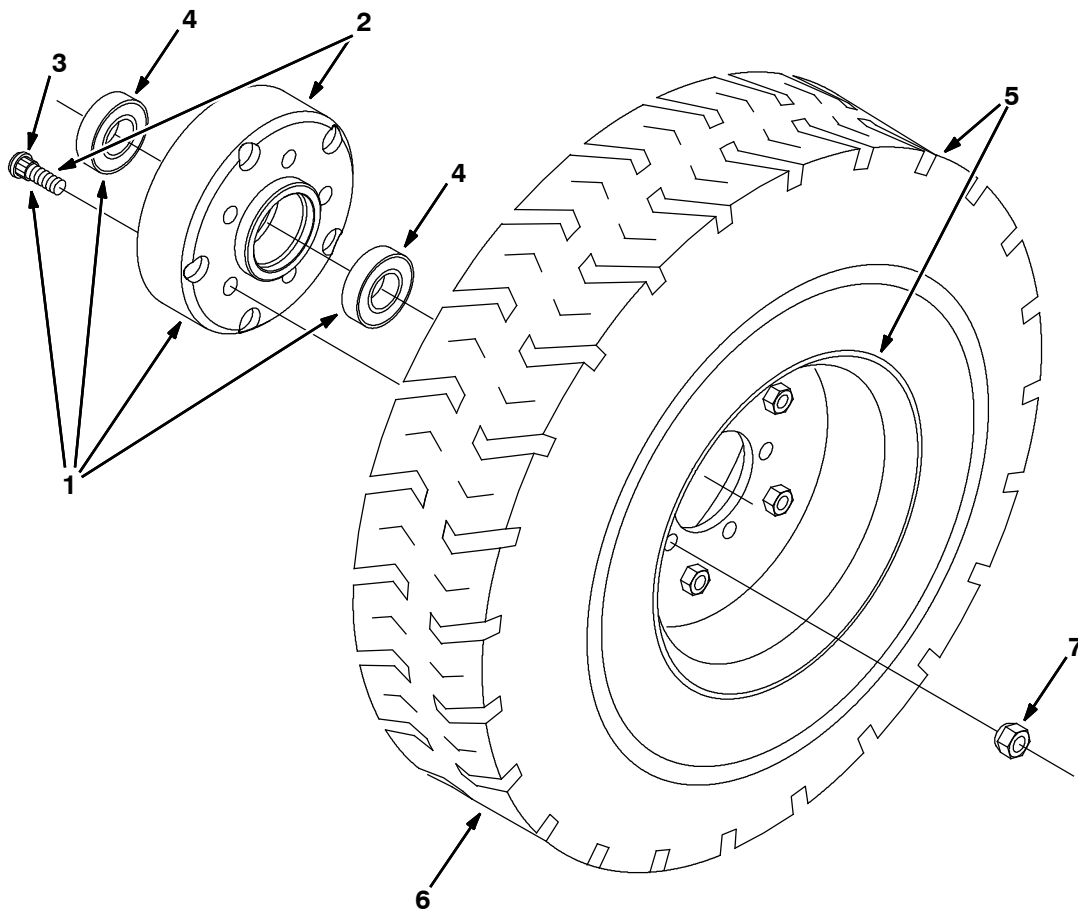
Fig. 24 - Soft Ride Non-Marking Tire and Wheel Kit, Front



352043 - IC

Ref.	Part No.	Serial Number	Description	Qty.
▽	366119	(000000-) Wheel and Tire Kit, Non-Mark Solid, Front	1
▲▽	1 366107	(000000-) Hub Assembly	2
▲▲	2 375001	(000000-) Hub, Wheel w/studs	1
▲▲	3 32126	(000000-) Stud, Wheel .50- 20 X 1.50	5
▲▲	4 360074	(000000-) Bearing, Ball, 1.18B 2.44D 0.6	2
▲▽	5 360295	(000000-) Tire Assy, Solid, 04.0 X 3.8 4.5bc 5bolt	2
▲▲	6 360163	(000000-) Tire, 4.00 X 8- 3.75 Sol. Non-Mark	1
▲	7 24339	(000000-) Nut-Wheel .50- 20 60 Angle	10

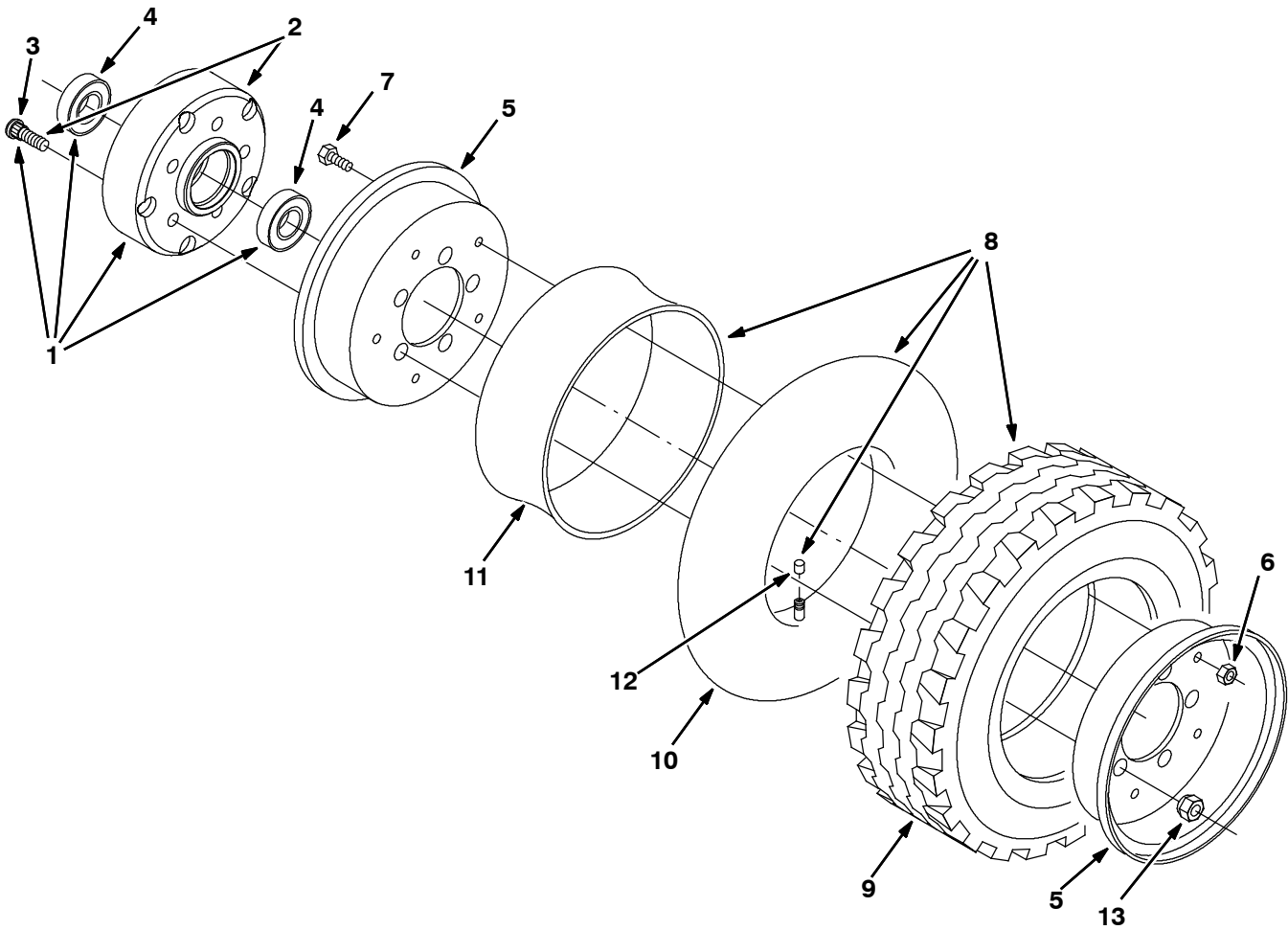
Fig. 25 - Soft Ride Puncture Proof Tire and Wheel Kit, Front



352043 - IC

Ref.	Part No.	Serial Number	Description	Qty.
▽	366116	(000000-) Wheel and Tire Kit, Soft Ride, Front	1
▲▽	1 366107	(000000-) Hub Assembly	2
▲▲	2 375001	(000000-) Hub, Wheel w/studs	1
▲▲	3 32126	(000000-) Stud, Wheel .50- 20 X 1.50	5
▲▲	4 360074	(000000-) Bearing, Ball, 1.18B 2.44D 0.6	2
▲▽	5 360296	(000000-) Tire Assy, Solid, 04.0 X 3.8 4.5bc 5bolt	2
▲▲	6 360162	(000000-) Tire, Solid, 4.0 X 8.0 X 3.8	1
▲	7 24339	(000000-) Nut- Wheel .50- 20 60 Angle	1

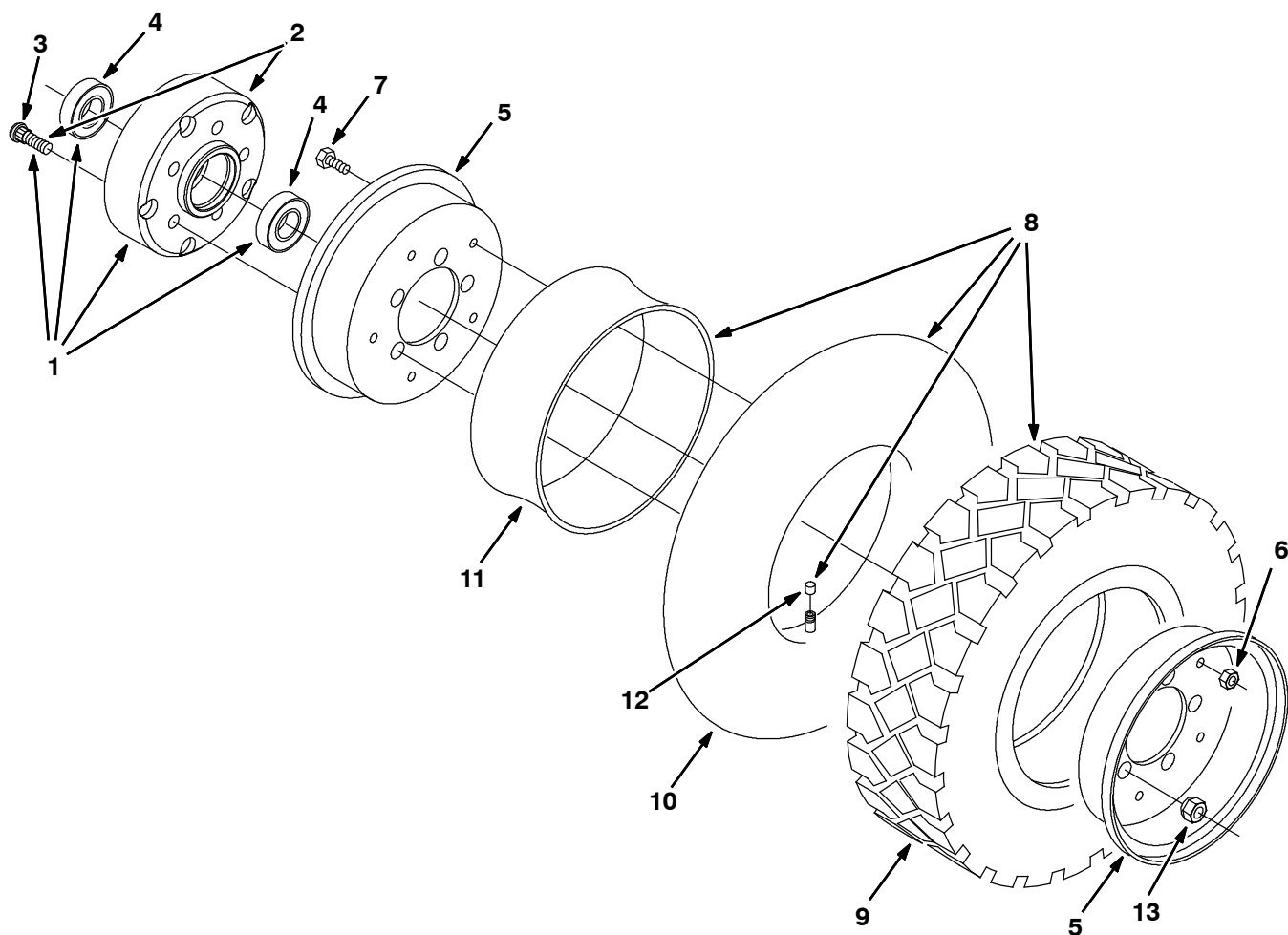
Fig. 26 - Bias Tire and Wheel Kit, Front



352047 - IC

Ref.	Part No.	Serial Number	Description	Qty.
▽	366111	(000000-)	Wheel and Tire Kit, Bias Front	1
▲▽	1 366107	(000000-)	Hub Assembly	2
▲▲	2 375001	(000000-)	Hub, Wheel w/studs	1
▲▲	3 32126	(000000-)	Stud, Wheel .50- 20 X 1.50	5
▲▲	4 360074	(000000-)	Bearing, Ball, 1.18B 2.44D 0.6	2
▲▽	366113	(000000-)	Tire/wheel Assy, 16x6- 8 10pr	2
▲▲	5 366104	(000000-)	Rim Assy, 4.25" Bead X .188 Stl	1
▲▲	6 08714	(000000-)	Nut, Hex, Lock, M10 X 1.5, NI, Ss	5
▲▲	7 39283	(000000-)	Screw, Hex, M10 X 1.50 X 25, 8.8	5
▲▲	8 366094	(000000-)	Tire, Tube & Flap Assy	1
▲▲	9 361081	(000000-)	Tire	1
▲▲	10 361077	(000000-)	Tube, Tire- Inner 16X6- 8	1
▲▲	11 366092	(000000-)	Flap, Tire 2F 500	1
▲▲	12 45786	(000000-)	Cap, Valve Stem	1
▲	13 24339	(000000-)	Nut- Wheel .50- 20 60 Angle	10

Fig. 27 - Radial Tire and Wheel Kit, Front



352049 - IC

Ref.	Part No.	Serial Number	Description	Qty.
▽	366112	(000000-) Wheel and Tire Kit, Radial Front	1
▲▽	1 366107	(000000-) Hub Assembly	2
▲▲	2 375001	(000000-) Hub, Wheel w/studs	1
▲▲	3 32126	(000000-) Stud, Wheel .50- 20 X 1.50	5
▲▲	4 360074	(000000-) Bearing, Ball, 1.18B 2.44D 0.6	2
▲▽	366114	(000000-) Tire and Wheel Assembly, 16x6 RS Radial	2
▲▲	5 366104	(000000-) Rim Assembly	1
▲▲	6 08714	(000000-) Nut, Hex, Lock, M10 X 1.5, NI, Ss	1
▲▲	7 39283	(000000-) Screw, Hex, M10 X 1.50 X 25, 8.8	1
▲▲	8 366093	(000000-) Tire, Tube & Flap Assy	1
▲▲	9 360300	(000000-) Tire, 150/75R8 Pneumatic	1
▲▲	10 361077	(000000-) Tube, Tire- Inner 16X6- 8	1
▲▲	11 366092	(000000-) Flap, Tire 2F 500	1
▲▲	12 45786	(000000-) Cap, Valve Stem	1
▲	13 24339	(000000-) Nut- Wheel .50- 20 60 Angle	10

Fig. 28 - Telemetry Group

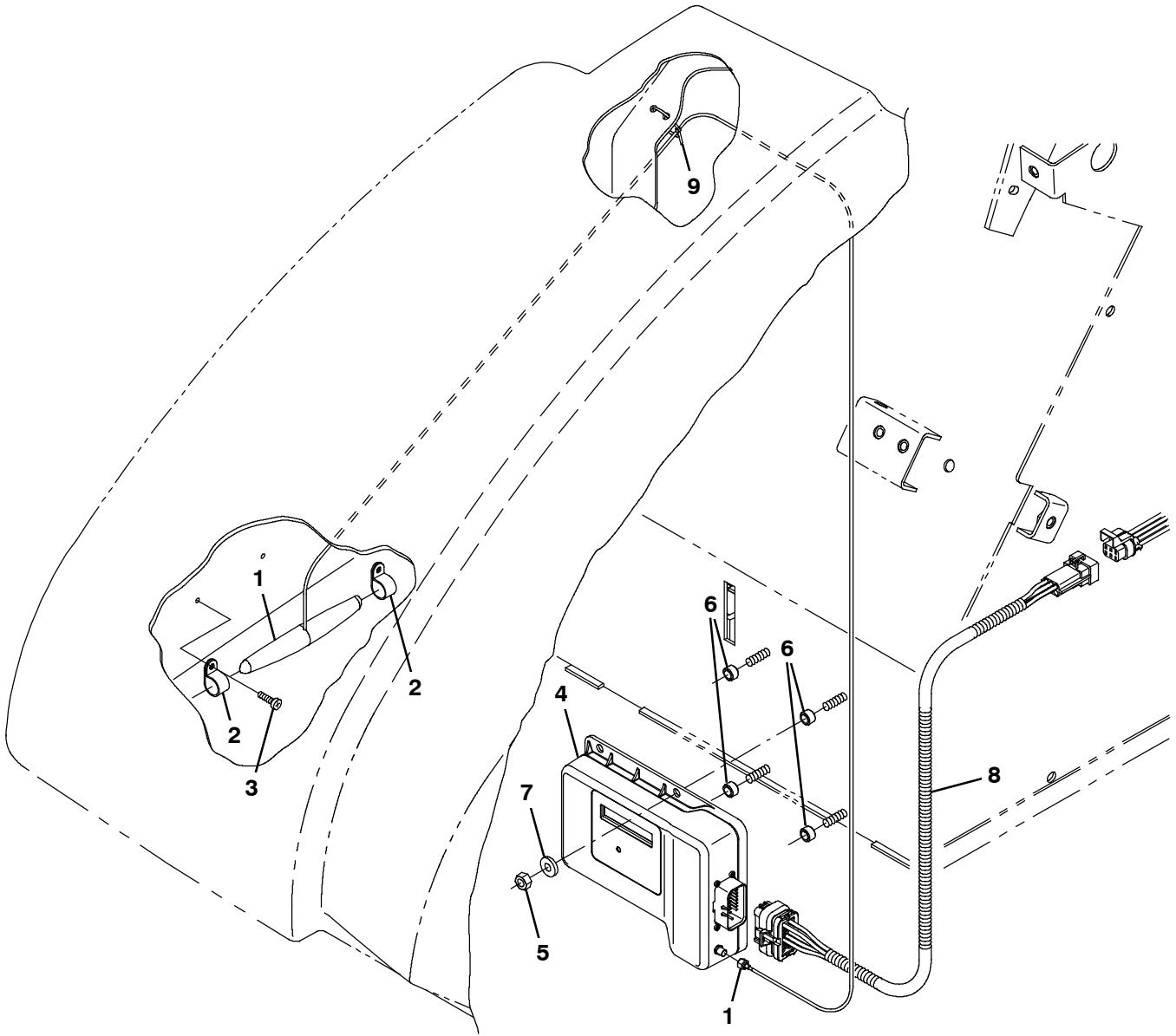


Fig. 28 - Telemetry Group

Ref.	Part No.	Serial Number	Description	Qty.
1	1070324	(000000-) Antenna, Telem, 110 In [Gprs]	1
2	140916	(000000-) Clamp, Cable, Nyl, 0.62d, Nat	2
3	382320	(000000-) Screw, Pan, Phl, 12- 16 X 0.50, F/ Plstc	2
4	9010085	(000000-) Control Box Assy Kit, Replmt, Telem[Usa]	1
4	9010086	(000000-) Control Box Assy Kit, Replmt, Telem[Can]	1
5	08708	(000000-) Nut, Hex, Lock, M6 X 1.00, NI	4
6	222516	(000000-) Sleeve, P/M, 0.32b 0.50d 0.3l [430ss]	4
7	32483	(000000-) Washer, Flat, 0.25, Sae	4
8	1071132	(000000-) Harness, Ele [Extn, Telemetry]	1
9	49266	(000000-) Tie, Cable, Nyl, 07.3l .19w 1.8 Max D	1

Fig. 29 - Documentation Group

G/LP, NA

Ref.	Part No.	Serial Number	Description	Qty.
	9006719	(000000-) Manual, Oprtr [S20 Gas/Lpg, En]	1
	9006720	(000000-) Manual, Oprtr [S20 Gas/Lpg, Es]	1
	9006721	(000000-) Manual, Oprtr [S20 Gas/Lpg, Fr]	1
	9006722	(000000-) Manual, Oprtr [S20 Gas/Lpg, Jp]	1
	9006725	(000000-) Manual, Oprtr [S20 Gas/Lpg, Cn]	1
	9006726	(000000-) Manual, Oprtr [S20 Gas/Lpg, Pbt]	1
	9006723	(000000-) Manual, Parts [S20 Gas/Lpg, En]	1
	9006727	(000000-) Video, Oprtr, Dvd [S20 En, Es, Fr]	1
	9006724	(000000-) Manual, Service [S20 Gas/Lpg/Dsl, En]	1
	9009383	(000000-) Instr, Use&Care, Wallchart [Ts20] (ONLINE ONLY)	1



To view, print, order, download the latest Parts manual, other language Operator manuals, and Use and Care Guides (wall charts), visit:

www.tennantco.com/manual

SECTION 4

Contents	Page
Fig. 1 - Hydraulic Piston Pump Breakdown, 1045993	4- 2
Fig. 2 - Hydraulic Gear Motor Breakdown, 361014	4- 4
Fig. 3 - Hydraulic Gear Motor Breakdown, 361021	4- 6
Fig. 4 - Hydraulic Gear Motor Breakdown, 374559	4- 8
Fig. 5 - Hydraulic Gear Pump Breakdown, 361018	4- 9
Fig. 6 - Hydraulic Control Valve Breakdown, 361012	4- 10
Fig. 7 - Hydraulic Steering Valve Breakdown, 1045822	4- 12
Fig. 8 - Hydraulic Solenoid Valve Breakdown, 1046687	4- 14
Fig. 9 - Hydraulic Solenoid Valve Breakdown, 1045853	4- 15

Fig. 1 - Hydraulic Piston Pump Breakdown, 1045993

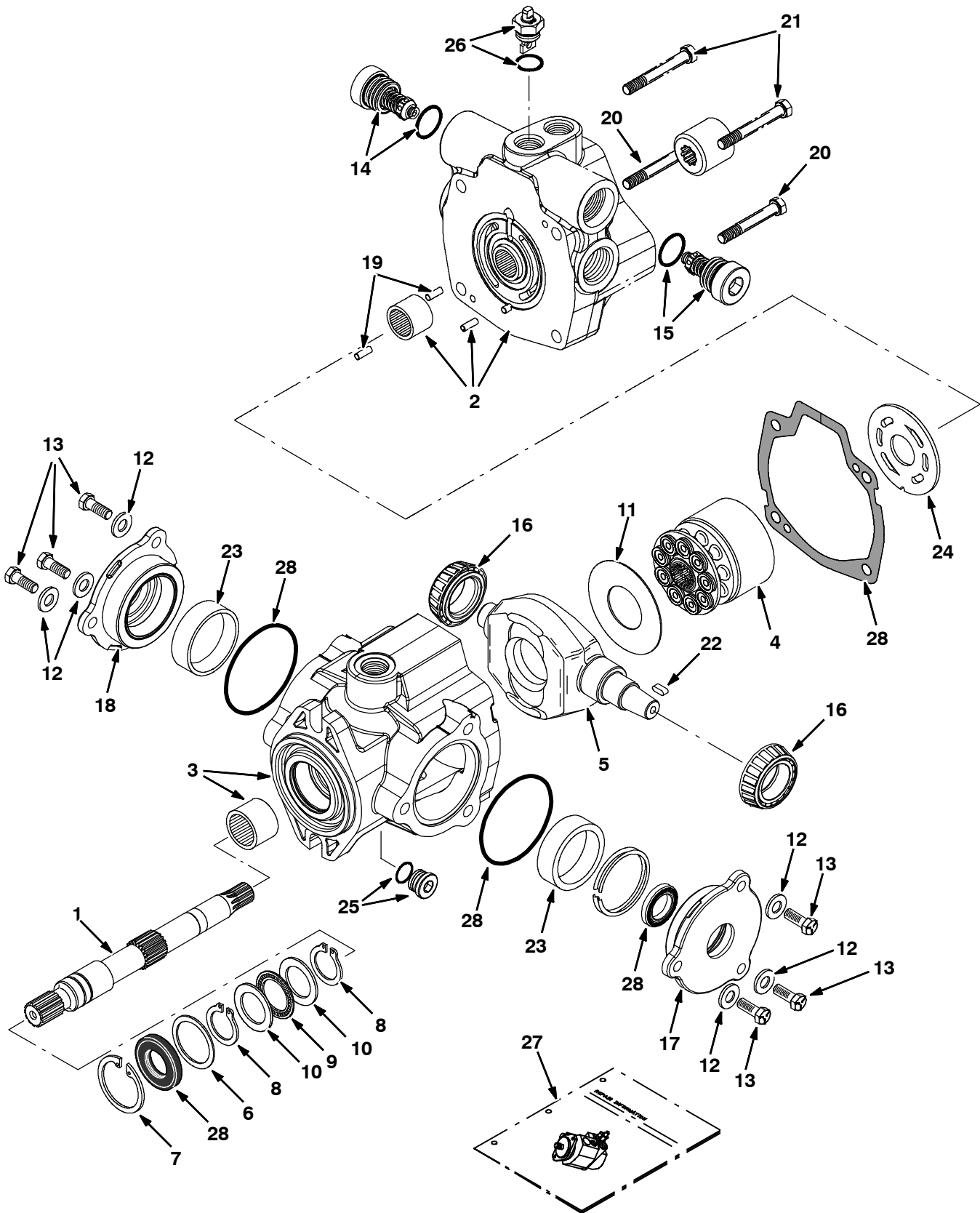


Fig. 1 - Hydraulic Piston Pump Breakdown, 1045993

Ref.	Part No.	Serial Number	Description	Qty.
▽	1045993	(000000-) Pump, Hyd, Piston, Var, 1.24 2500, Cw	1
▲	1 21925	(000000-) Shaft, Drive, Pump, Hyd [Cessna]	1
▲	2 373427	(000000-) Cover, End	1
▲	3 373389	(000000-) Housing	1
▲	4 02706	(000000-) Pump Kit, Hyd, Rotating [Cessna]	1
▲	5 373493	(000000-) Plate, Cam	1
▲	6 70096	(000000-) Washer, Flat, Pump, Hyd	1
▲	7 55926	(000000-) Ring, Retaining, Pump, Hyd	1
▲	8 373434	(000000-) Ring, Retaining	2
▲	9 74225	(000000-) Bearing, Thrust, Pump, Hyd	1
▲	10 74226	(000000-) Race, Brg, Pump, Hyd	2
▲	11 373327	(000000-) Insert, Plt, Cam, Pump, Hyd	1
▲	12 373391	(000000-) Washer, Pump, Hyd [En]	6
▲	13 373346	(000000-) Screw, Cap	6
▲	14 373428	(000000-) Valve, Relief, 2000psi	1
▲	15 373721	(000000-) Valve, Relief, 2500psi	1
▲	16 373317	(000000-) Bearing, Cone, Pump, Hyd	2
▲	17 373393	(000000-) Plate, Cover	1
▲	18 373394	(000000-) Plate, Cover	1
▲	19 70100	(000000-) Pin, Dowel, Pump, Hyd	2
▲	20 373347	(000000-) Screw, Cap	2
▲	21 373348	(000000-) Screw, Cap	2
▲	22 74237	(000000-) Key, Shaft, Pump, Hyd	1
▲	23 373395	(000000-) Bearing, Cup	2
▲	24 74180	(000000-) Plate, Valve, Pump, Hyd	1
▲	25 13907	(000000-) Fitting, Hyd, Plug, Om08	1
▲	26 373413	(000000-) Actuator, Valve, By- Pass [En]	1
▲	27 373429	(000000-) Instr, Pump, Repair	1
▲	28 373398	(000000-) Seal Kit, Pump, Hyd	1
▲	373402	(000000-) Shim Kit	1

Fig. 2 - Hydraulic Gear Motor Breakdown, 361014

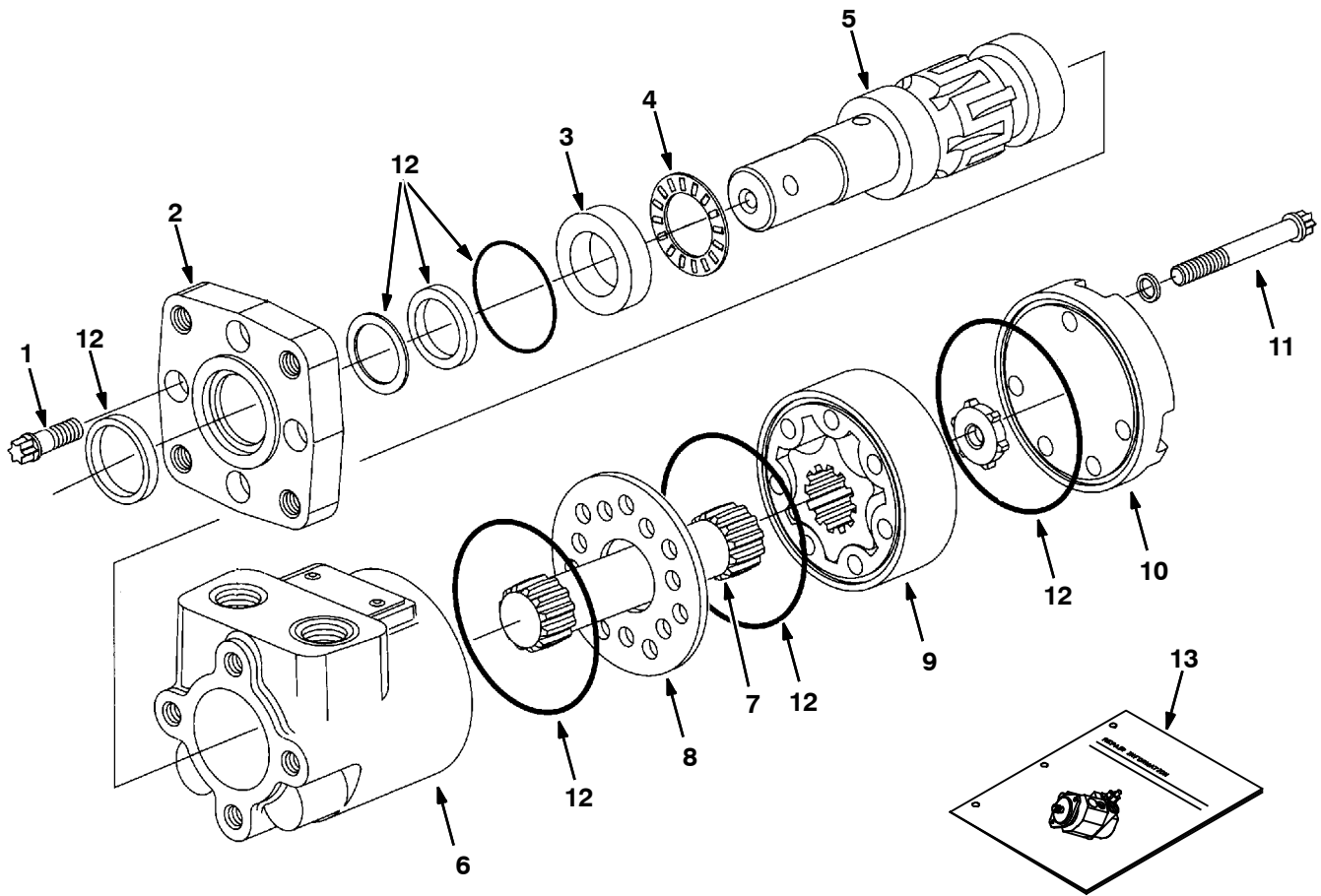


Fig. 2 - Hydraulic Gear Motor Breakdown, 361014

	Ref.	Part No.	Serial Number	Description	Qty.
▽		361014	(000000-) Motor, Hyd, Gear, Int 09.7 Bi- Dir 1500	1
▲	1	37555	(000000-) Screw, Motor, Hyd [En]	4
▲	2	31354	(000000-) Flange, Motor, Hyd [En]	1
▲	3	16695	(000000-) Ace, Thrust, Motor, Hyd [En]	1
▲	4	45628	(000000-) Bearing, Thrust	1
▲	5	31373	(000000-) Shaft, Output, Motor, Hyd [En]	1
▲	6	74100	(000000-) Housing, Motor, Hyd [En]	1
▲	7	21959	(000000-) Drive, Motor, Hyd	1
▲	8	74094	(000000-) Plate, Spacer, Motor, Hyd [En]	1
▲	9	38263	(000000-) Gerotor, Motor, Hyd	1
▲	10	65230	(000000-) End Cap, Motor, Hyd [En]	1
▲	11	21960	(000000-) Screw, Cap, Motor, Hyd	5
▲	12	28835	(000000-) Seal Kit [CI]	1
	13	74250	(000000-) Instr, Motor, Hyd, Repair [En]	1

Fig. 3 - Hydraulic Gear Motor Breakdown, 361021

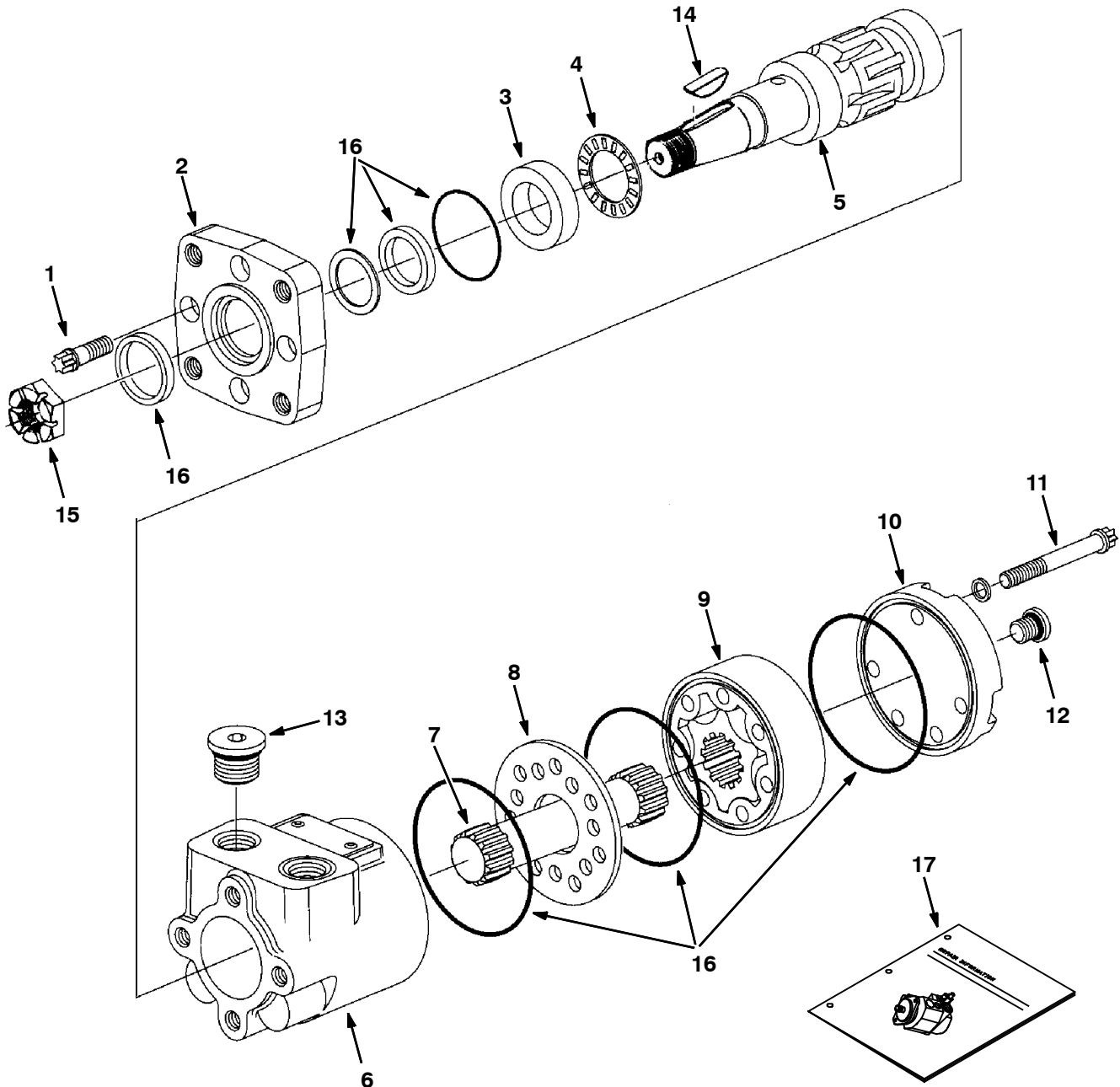
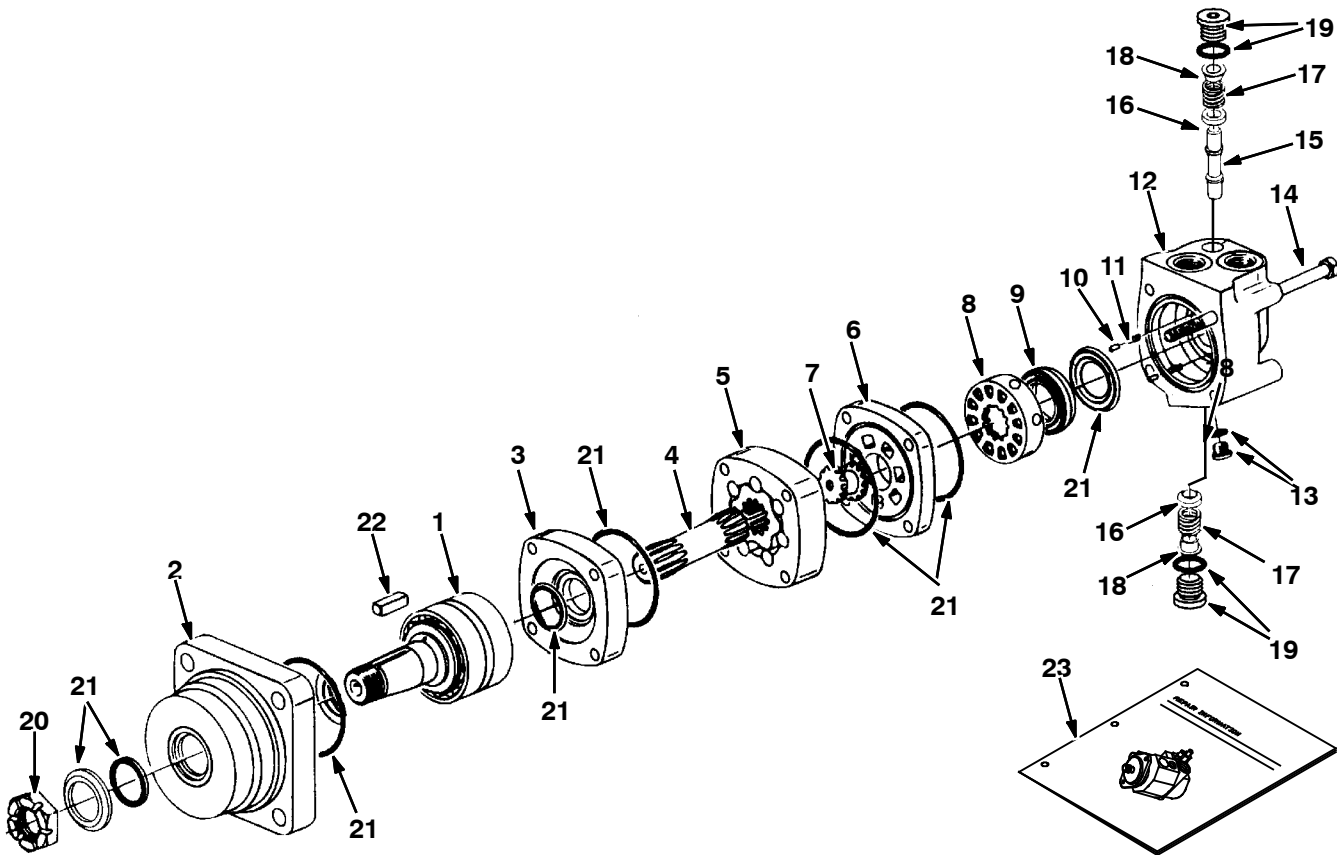


Fig. 3 - Hydraulic Gear Motor Breakdown, 361021

Ref.	Part No.	Serial Number	Description	Qty.
▽	361021	(000000-) Motor, Hyd, Gear, Int 02.2 Bi- Dir 1500	1
▲	1 37555	(000000-) Screw, Motor, Hyd [En]	4
▲	2 31354	(000000-) Flange, Motor, Hyd [En]	1
▲	3 16695	(000000-) Ace, Thrust, Motor, Hyd [En]	1
▲	4 45628	(000000-) Bearing, Thrust	1
▲	5 31375	(000000-) Shaft, Output, Motor, Hyd [En]	1
▲	6 74100	(000000-) Housing, Motor, Hyd [En]	1
▲	7 34176	(000000-) Drive, Motor, Hyd [En]	1
▲	8 74094	(000000-) Plate, Spacer, Motor, Hyd [En]	1
▲	9 65229	(000000-) Gerotor Set [En]	1
▲	10 74095	(000000-) End Cap, Motor, Hyd [En]	1
▲	11 74174	(000000-) Screw, Cap, Steering Valve [En]	5
▲	12 74098	(000000-) Fitting, Hyd, Plug, Om04	1
▲	13 74099	(000000-) Fitting, Hyd, Plug, Om20	2
▲	14 00500- 15	(000000-) Key, Woodruff, 0.25 1.00 [Asa#0808]	1
▲	15 39527	(000000-) Nut, Hex, Sltd, .75- 16	1
▲	16 28835	(000000-) Seal Kit [CI]	1
	17 74250	(000000-) Instr, Motor, Hyd, Repair [En]	1

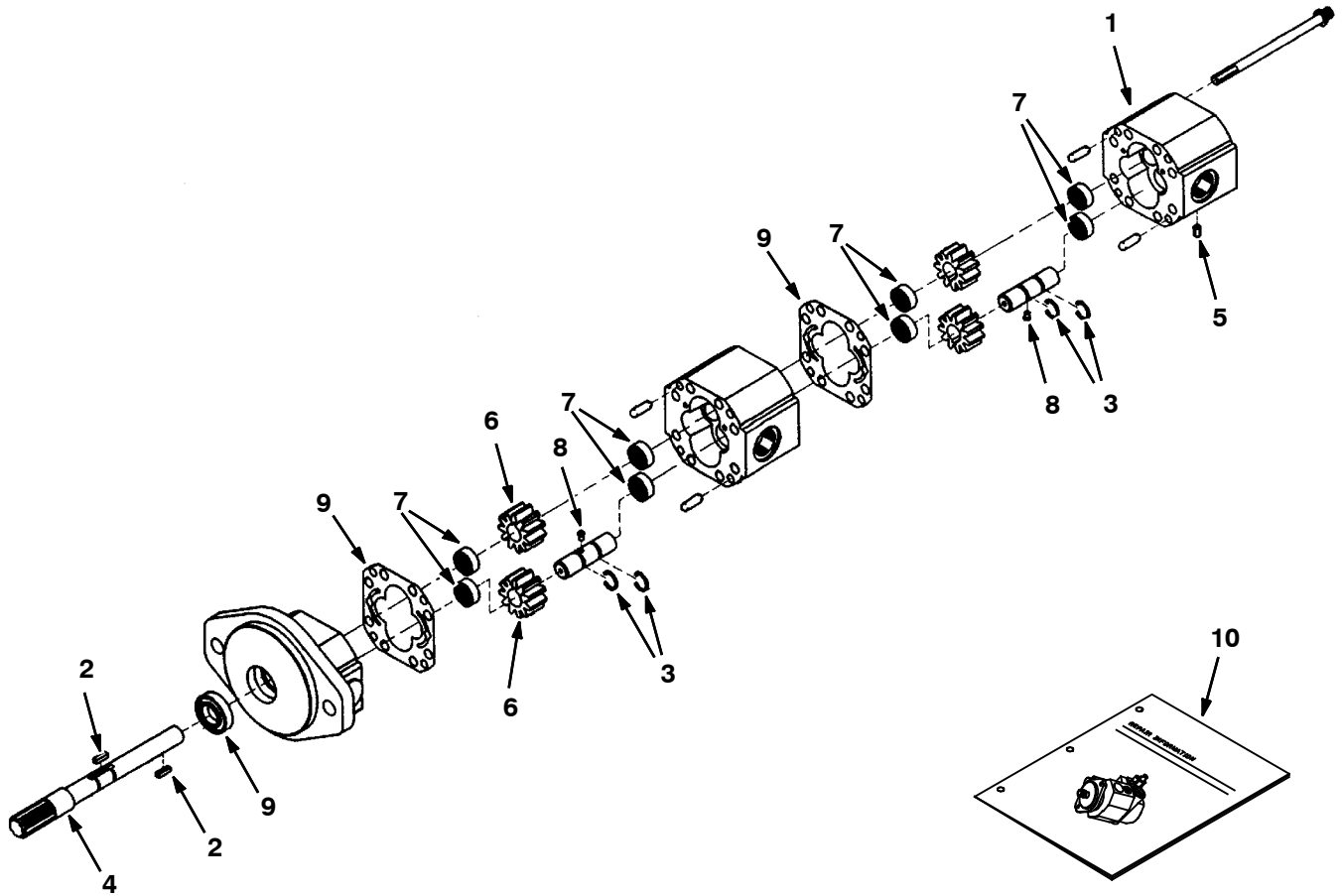
Fig. 4 - Hydraulic Gear Motor Breakdown, 374559



350298, 09670 - IC

Ref.	Part No.	Serial Number	Description	Qty.	
▽	374559	(000000-) Motor, Hyd, Gear, Int 18.7 Bi- Dir 3000	1	
▲	1	21951	(000000-) Bearing Kit, Motor, Hyd, Repair [CI]	1
▲	2	21952	(000000-) Housing, Brg [CI]	1
▲	3	51417	(000000-) Plate, Pump, Hyd, Gear	1
▲	4	02603	(000000-) Drive Shaft	1
▲	5	02645	(000000-) Geroler Assy, Pump, Gear	1
▲	6	02646	(000000-) Plate, Valve, Pump, Gear [Char Lynn]	1
▲	7	57370	(000000-) Valve, Drive, Pump, Hyd, Gear	1
▲	8	02647	(000000-) Valve, Pump, Gear Hyd [Char Lynn]	1
▲	9	57373	(000000-) Ring, Balance, Pump, Hyd, Gear	1
▲	10	57374	(000000-) Pin, Pump, Hyd, Gear	2
▲	11	57375	(000000-) Spring, Pump, Hyd, Gear	2
▲	12	373292	(000000-) Housing, Valve	1
▲	13	74098	(000000-) Fitting, Hyd, Plug, Om04	1
▲	14	74120	(000000-) Bolt, Motor, Hyd	4
▲	15	373217	(000000-) Piston, Pump, Hyd, Gear	1
▲	16	373226	(000000-) Poppet, Pump, Hyd, Gear	2
▲	17	373291	(000000-) Spring	2
▲	18	373236	(000000-) Sleeve, Dashpo, Pump, Hyd, Gear	2
▲	19	373260	(000000-) Plug, Pump, Hyd, Gear	2
▲	20	38490	(000000-) Nut, SI, Pump, Hyd, Gear	1
▲	21	1031670	(000000-) Seal Kit, Motor, Hyd, Gear	1
▲	22	38315	(000000-) Key, Sq, Pump, Hyd	1
▲	23	79729	(000000-) Instr, Motor, Hyd, Gear, Repair	1

Fig. 5 - Hydraulic Gear Pump Breakdown, 361018



350290, 09670 - IC

Ref.	Part No.	Serial Number	Description	Qty.
▽	361018	(000000-) Pump, Hyd, Gear, Ext, 2, 00.39 1600, Cw	1
▲	1 21978	(000000-) Housing, End [Bn]	1
▲	2 21980	(000000-) Key, Sq [Bn]	2
▲	3 21981	(000000-) Ring [Crescent, Bn]	6
▲	4 21982	(000000-) Shaft, Drive [Bn]	1
▲	5 21983	(000000-) Plug [Bn]	1
▲	6 21984	(000000-) Gear, Gc .750 Bn	2
▲	7 21985	(000000-) Bearing, Needle Bn	8
▲	8 21993	(000000-) Pin, Drive [Bn]	2
▲	9 SK2561	(000000-) Seal Kit, Hyd, Motor	1
	10 IB2561	(000000-) Instr, Seal Kit, Motor, [Barns&Mte]	1

Fig. 6 - Hydraulic Control Valve Breakdown, 361012

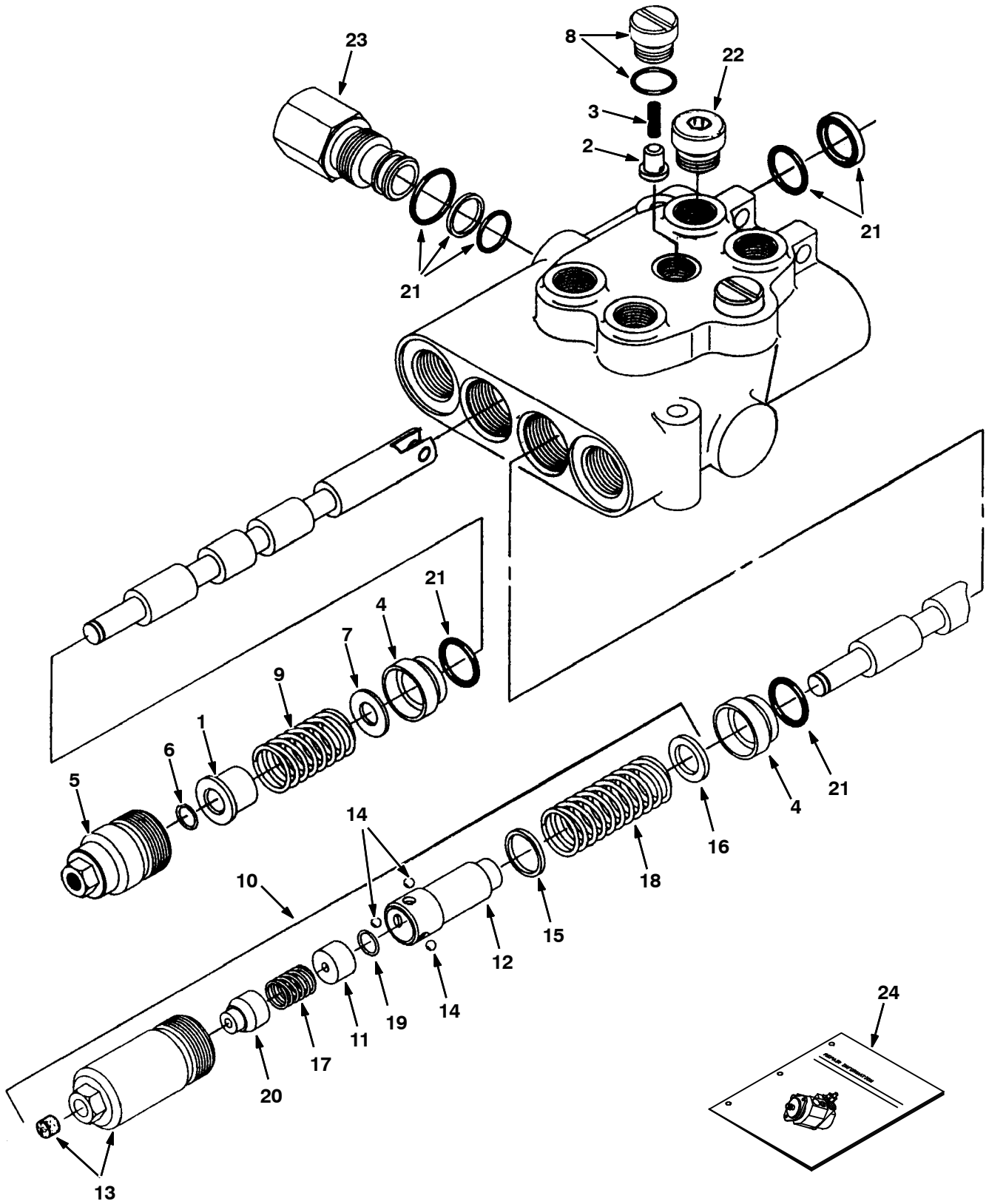


Fig. 6 - Hydraulic Control Valve Breakdown, 361012

Ref.	Part No.	Serial Number	Description	Qty.
▽	361012	(000000-) Valve, Hyd, Mnl, 2spool 0100psi 10gpm	1
▲	1 79785	(000000-) Spacer, Valve, Hyd	1
▲	2 79786	(000000-) Plunger, Valve, Hyd [En]	2
▲	3 79787	(000000-) Spring, Valve, Hyd [En]	2
▲	4 79788	(000000-) Bushing, Valve, Hyd En	2
▲	5 79789	(000000-) Cap Assy, Valve, Hyd [En]	1
▲	6 79792	(000000-) Ring, Retainer, Valve, Hyd [En]	1
▲	7 79794	(000000-) Washer, Valve, Hyd [En]	1
▲	8 79795	(000000-) Fitting, Hyd, Plug, W/ Org, Valve	2
▲	9 79796	(000000-) Spring, Valve, Hyd [En]	1
▲▽	10 79814	(000000-) Detent Kit, In [Eaton]	1
▲▲	11 79801	(000000-) Spacer, Valve, Hyd	1
▲▲	12 79802	(000000-) Adapter, Detent, Valve, Hyd	1
▲▲	13 21961	(000000-) Cap Assy, Valve, Hyd	1
▲▲	14 79804	(000000-) Ball, Valve, Hyd	3
▲▲	15 79805	(000000-) Washer, Valve, Hyd	1
▲▲	16 79806	(000000-) Washer, Valve, Hyd	1
▲▲	17 79807	(000000-) Spring, Valve, Hyd	1
▲▲	18 79808	(000000-) Spring [En]	1
▲▲	19 79792	(000000-) Ring, Retainer, Valve, Hyd [En]	1
▲▲	20 79800	(000000-) Cone, Valve, Hyd	1
▲	21 79812	(000000-) Seal Kit, Valve, Hyd [En]	1
▲	22 13904	(000000-) Fitting, Plug, Org, #6, Valve [Cec]	2
	23 361028	(000000-) Plug Assy, Hyd	1
	24 79820	(000000-) Instr, Valve, Hyd, Repair [En]	1

Fig. 7 - Hydraulic Steering Valve Breakdown, 1045822

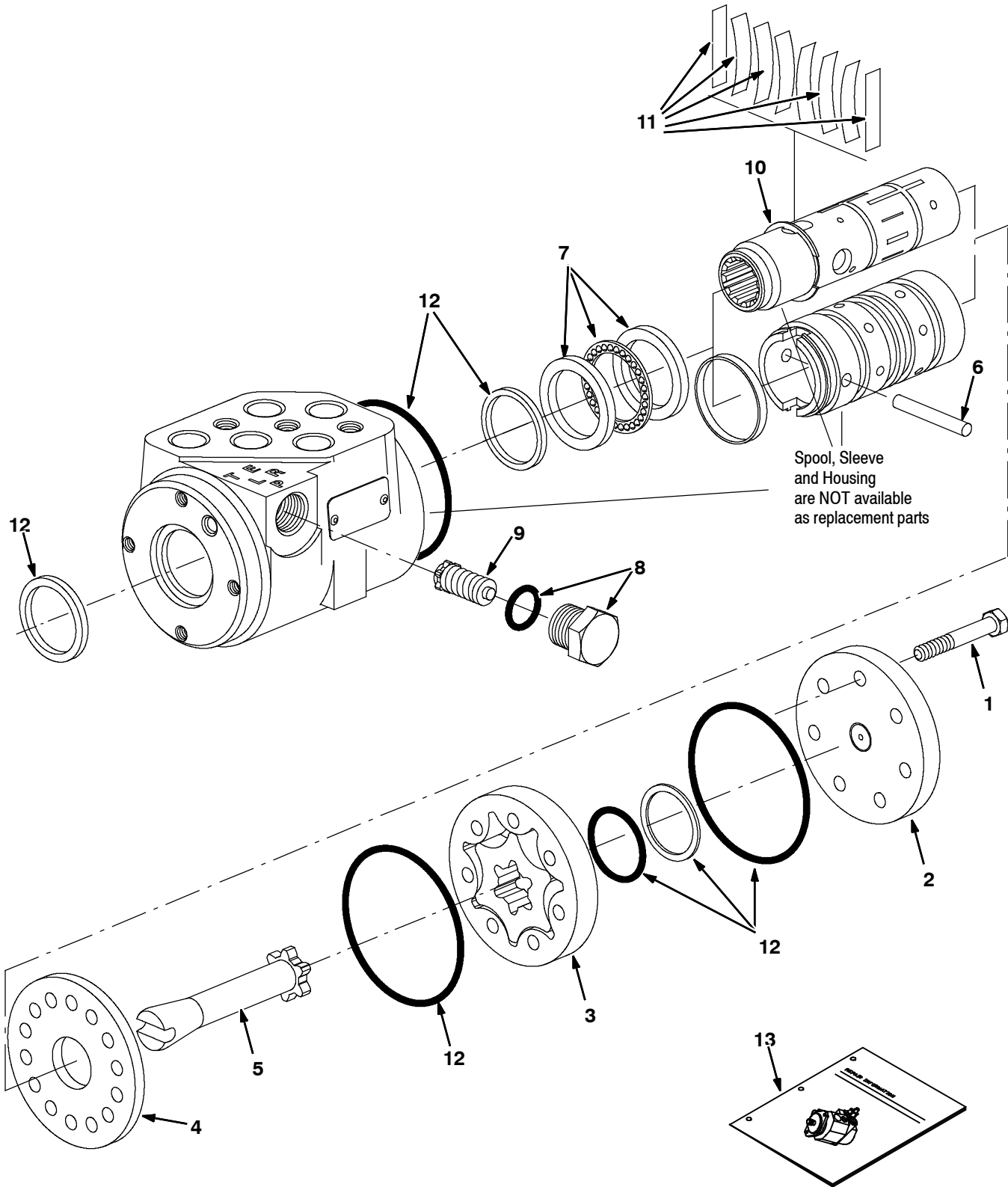
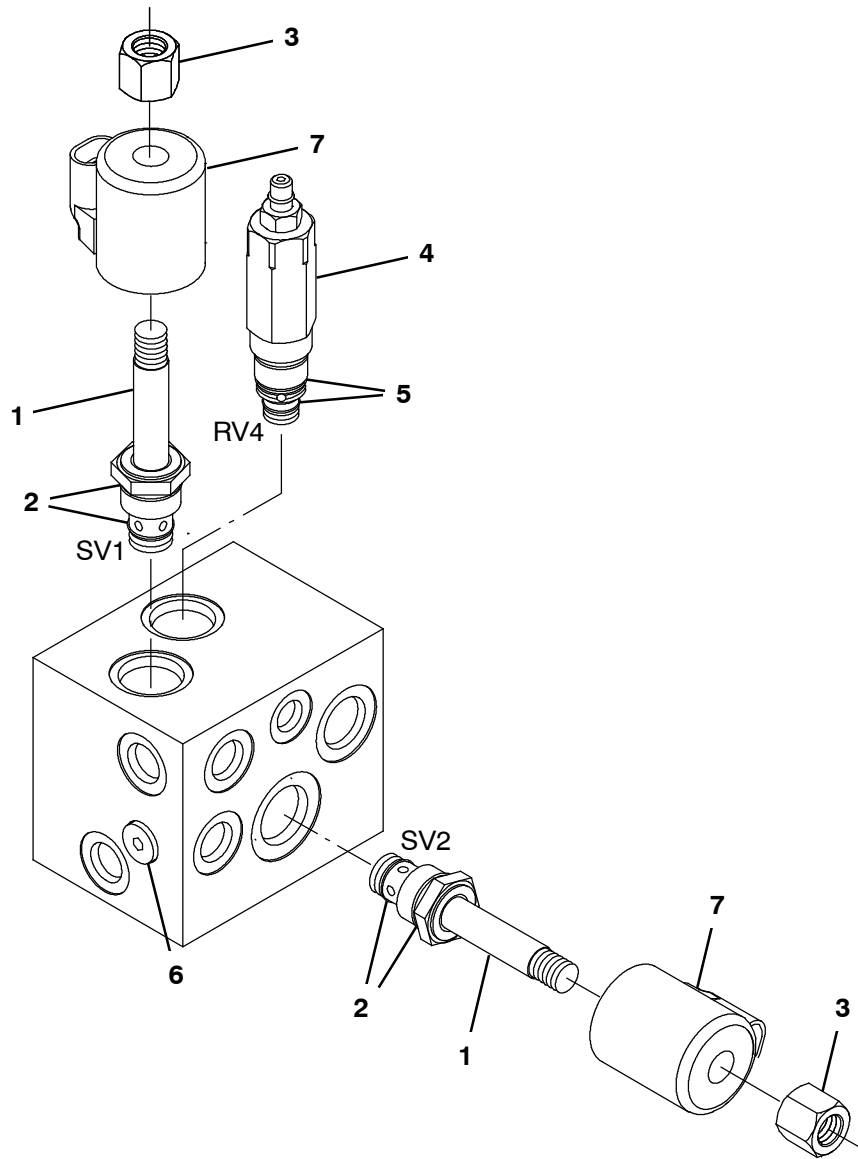


Fig. 7 - Hydraulic Steering Valve Breakdown, 1045822

Ref.	Part No.	Serial Number	Description	Qty.
▽	1045822	(000000-) Steer- Control, Hyd05, 06.1 914	1
▲	1 74183	(000000-) Screw, Valve, Steering	1
▲	2 74185	(000000-) Cap, End, Valve, Steering	1
▲	3 373722	(000000-) Gerotor, Valve, Steering	1
▲	4 74222	(000000-) Plate, Wear, Steering Valve	1
▲	5 373723	(000000-) Drive, Valve, Steering	1
▲	6 74232	(000000-) Pin, Valve, Steering	1
▲	7 21935	(000000-) Bearing Kit [C]	1
▲	8 21933	(000000-) Plug Assy [C]	1
▲	9 373726	(000000-) Valve Assy, Relief	1
▲	10 74243	(000000-) Ring, Retainer, Steering Valve	1
▲	11 74196	(000000-) Spring Kit, Scu [C]	1
▲	12 373727	(000000-) Seal Kit, Cntrl, Steering [C]	1
▲	13 373728	(000000-) Instr, Valve, Steering, Repair	1

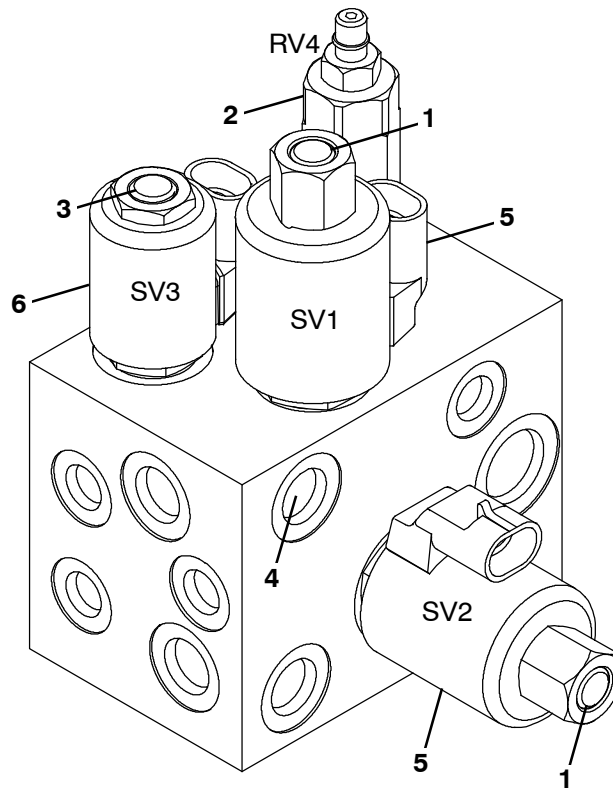
Fig. 8 - Hydraulic Solenoid Valve Breakdown, 1046687



356087 - IC

Ref.	Part No.	Serial Number	Description	Qty.
▽	1046687	(000000-) Valve, Hyd, Solenoid, 12vdc	1
▲▽	1 373732	(000000-) Solenoid, Cntrl	2
▲▲	2 1050780	(000000-) Seal Kit, Cartridge	1
▲▲	3 373584	(000000-) Nut, Short	1
▲▽	4 373733	(000000-) Valve, Relief	1
▲▲	5 373745	(000000-) Seal Kit, Valve, Hyd	1
▲	6 373586	(000000-) Plug, Org	1
▲	7 373736	(000000-) Solenoid, #10, 12vdc	2

Fig. 9 - Hydraulic Solenoid Valve Breakdown, 1045853



356089 - IC

Ref.	Part No.	Serial Number	Description	Qty.
▽	1045853	(000000-) Valve, Hyd, Solenoid, 12vdc	1
▲▽	1 373732	(000000-) Solenoid, Cntrl	2
▲▲	373584	(000000-) Nut, Short	1
▲▲	1050780	(000000-) Seal Kit, Cartridge	1
▲▽	2 373733	(000000-) Valve, Relief	1
▲▲	373745	(000000-) Seal Kit, Valve, Hyd	1
▲▽	3 373734	(000000-) Solenoid, Cntrl	1
▲▲	373584	(000000-) Nut, Short	1
▲▲	1058233	(000000-) Seal Kit, Cartridge	1
▲	4 373735	(000000-) Plug, Orifice, Valve, Hyd, .047	1
▲	5 373736	(000000-) Solenoid, #10, 12vdc	2
▲	6 373737	(000000-) Solenoid, #8, 12vdc	1

SECTION 5

Contents	Page
Fig. 1 - Crankcase Group	5-2
Fig. 2 - Oil Pan Group	5-4
Fig. 3 - Cylinder Head Group	5-5
Fig. 4 - Gear Case Group	5-6
Fig. 5 - Head Cover Group	5-7
Fig. 6 - Dipstick and Guide Group	5-8
Fig. 7 - Main Bearing Case Group	5-9
Fig. 8 - Camshaft Group	5-10
Fig. 9 - Flywheel Group	5-11
Fig. 10 - Fuel Camshaft Group	5-12
Fig. 11 - Piston and Crankshaft Group	5-14
Fig. 12 - Carburetor Group	5-16
Fig. 13 - Governor Group	5-18
Fig. 14 - Fork Lever Group	5-19
Fig. 15 - Speed Control Lever Group	5-20
Fig. 16 - Sensor Group	5-21
Fig. 17 - Spark Plug and Ignition Coil Group ..	5-22
Fig. 18 - Alternator and Pulley Group	5-23
Fig. 19 - Starter Group	5-24
Fig. 20 - Water Flange and Thermostat Group	5-25
Fig. 21 - Water Pump Group	5-26
Fig. 22 - Fan Group	5-27
Fig. 23 - Water Pipe Group	5-28
Fig. 24 - Valve and Rocker Arm Group	5-29
Fig. 25 - Exhaust Manifold Group	5-30
Fig. 26 - Inlet Manifold Group	5-31
Fig. 27 - Wire Harness Group	5-32

Fig. 1 - Crankcase Group

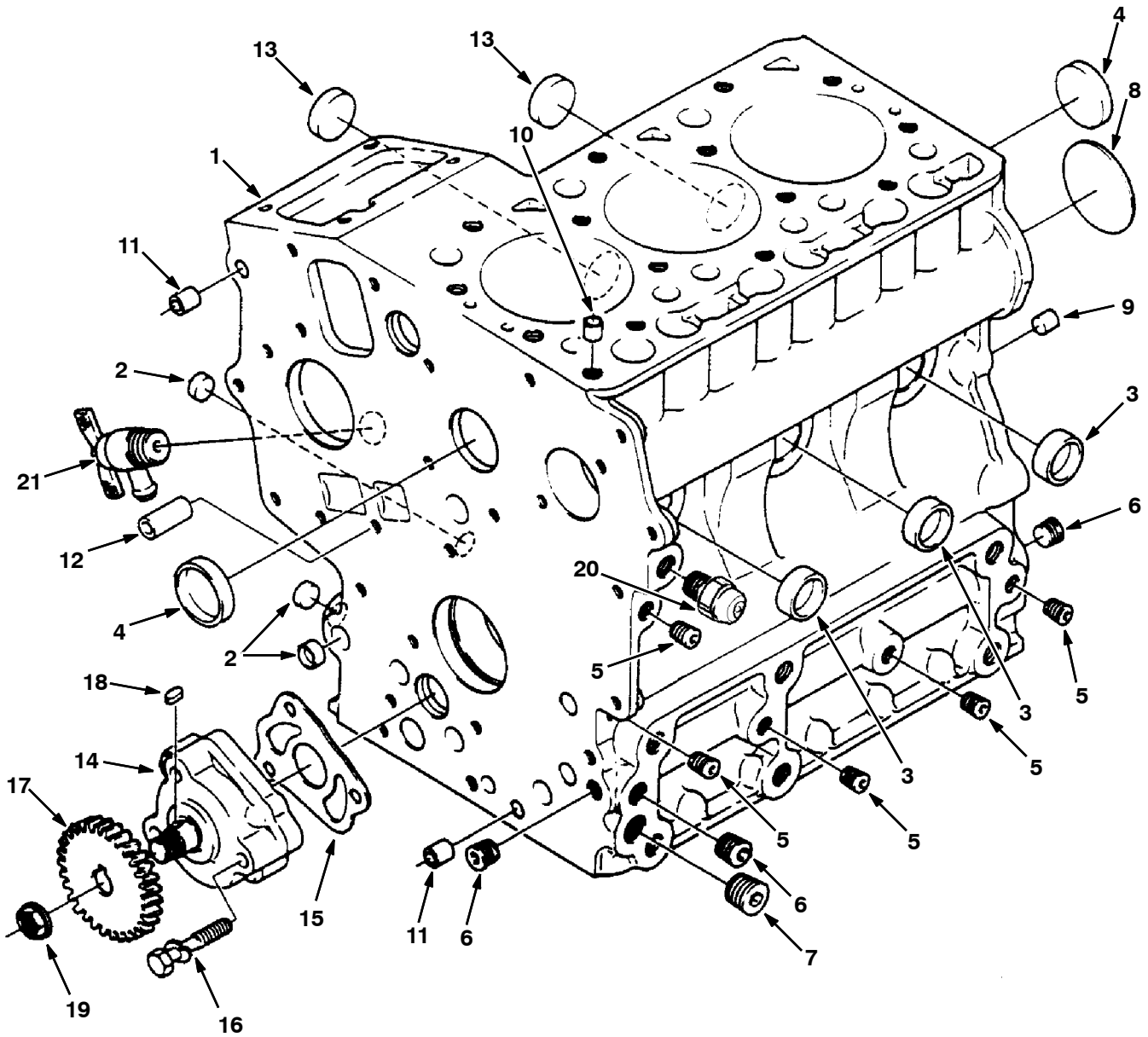
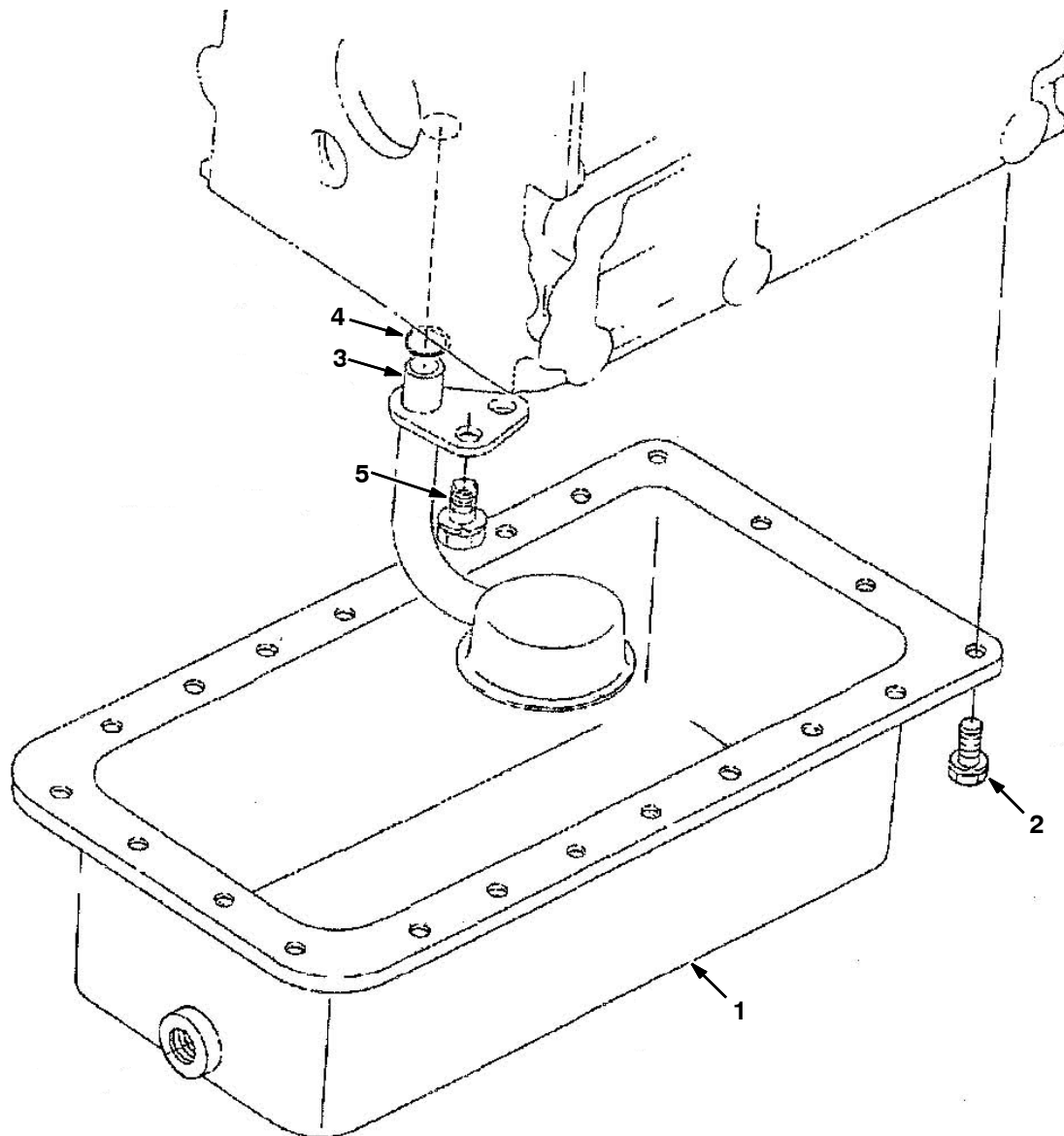


Fig. 1 - Crankcase Group

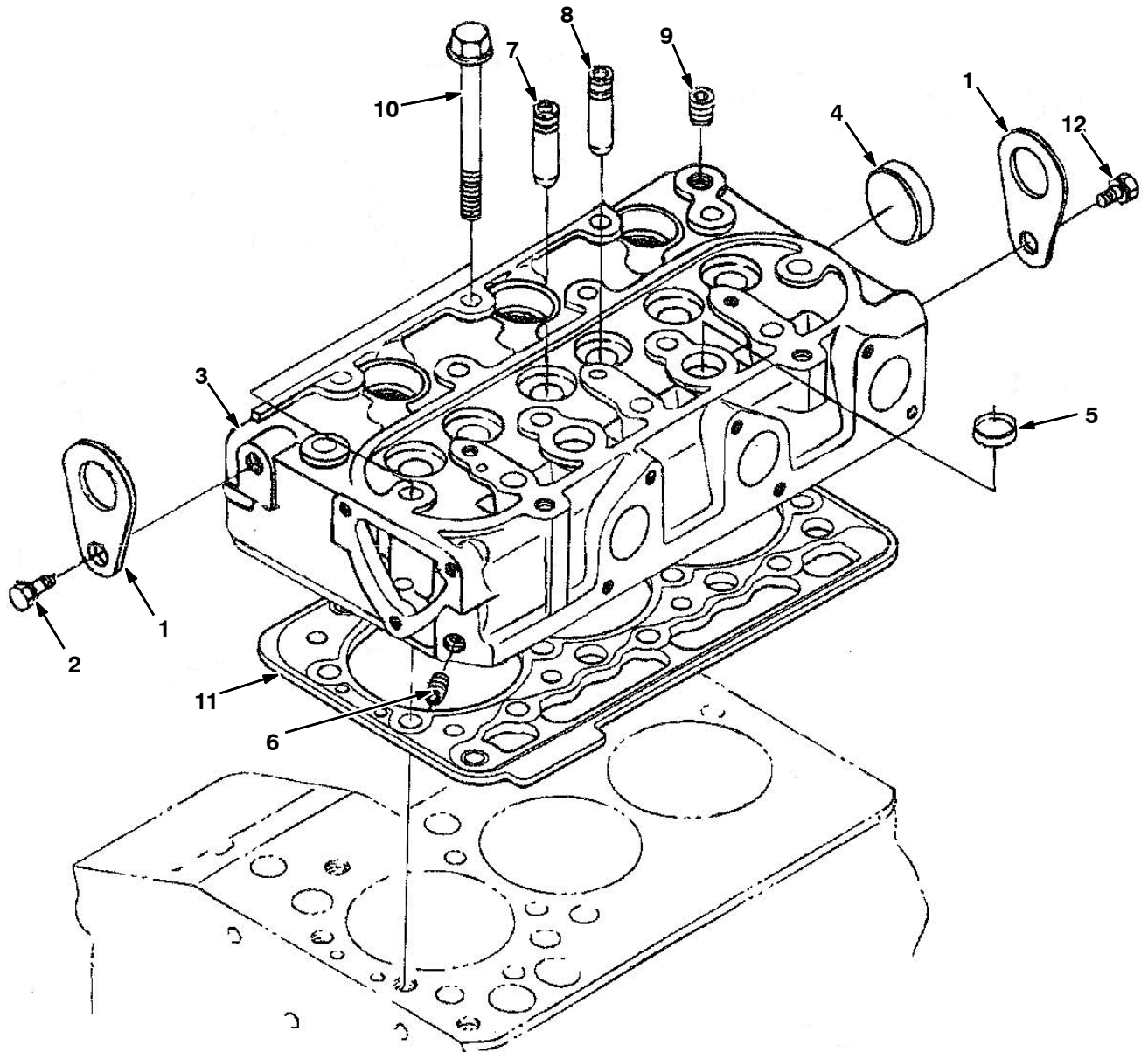
	Ref.	Part No.	Description	Qty.
▽	1	9006408	Crankcase Assy [Ku]	1
▲	2	361642	Sealing Cap	3
▲	3	361643	Sealing Cap	5
▲	4	70998	Cap, Sealing	2
▲	5	39088	Plug, Pin	5
▲	6	39051	Plug, Pin	3
▲	7	39052	Plug	1
▲	8	51285	Plug	1
▲	9	71988	Pin, Straight	2
▲	10	393501	Pin, Pipe	1
▲	11	71990	Pin, Eng [Ku]	2
▲	12	361652	Pipe Pin	2
	13	9006409	Plug, Cap, Sealing [Ku]	1
	14	361636	Oil Pump Assy	1
	15	361612	Gskt,Oil Pump	1
	16	361586	Bolt	3
	17	361575	Drv Gear,Oilpmp	1
	18	40203	Key Feather	1
	19	361449	Nut,Flange	1
	20	87940	Oil Switch	1
	21	70888	Draincock Asy	2

Fig. 2 - Oil Pan Group



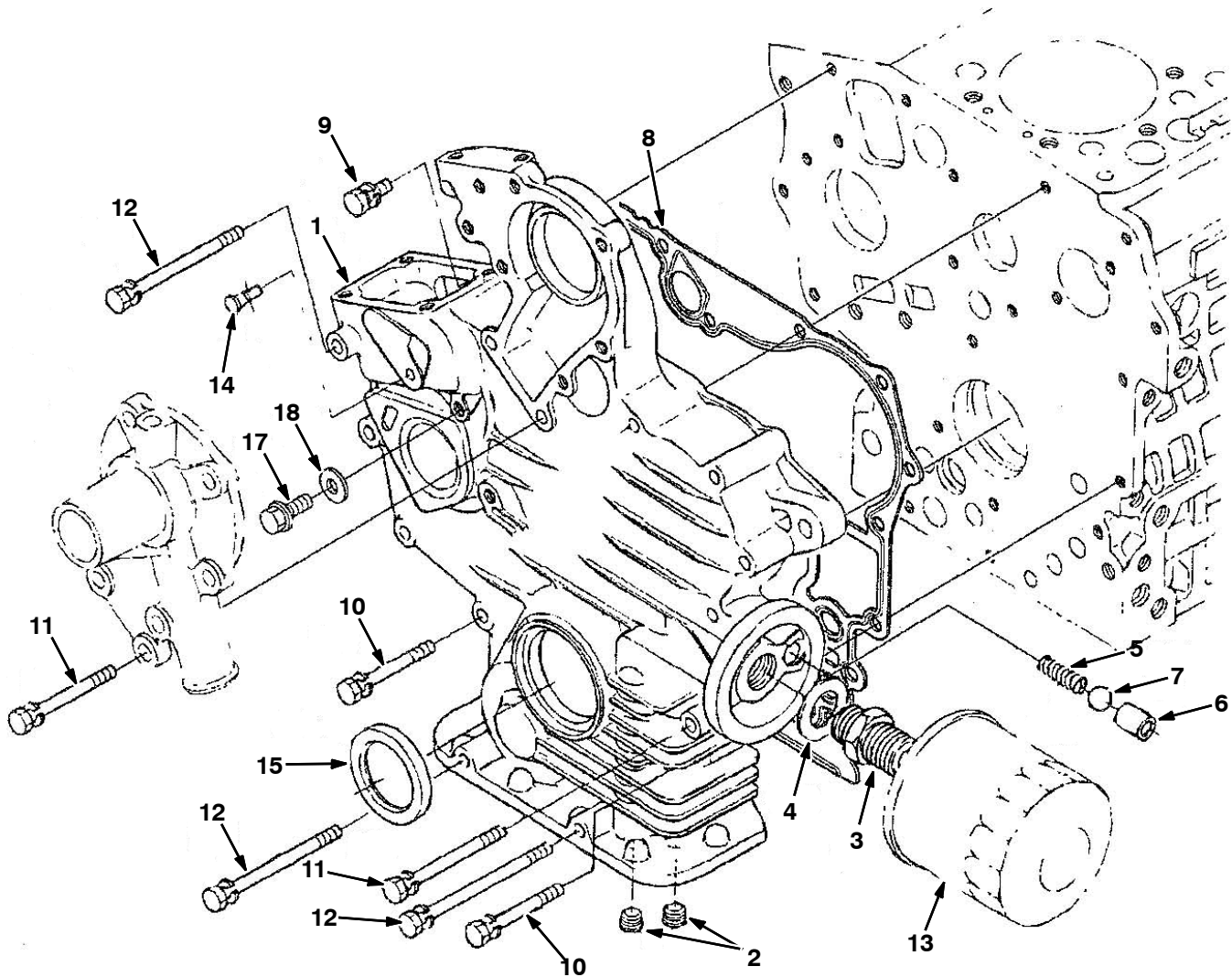
Ref.	Part No.	Description	Qty.
1	9006410	Pan, Oil, Complt [Ku]	1
2	9004997	Screw, Hex [Ku]	18
3	9006411	Tube, Pickup, Oil [Sump, Ku]	1
4	9004339	Seal, Org	1
5	39073	Bolt	2

Fig. 3 - Cylinder Head Group



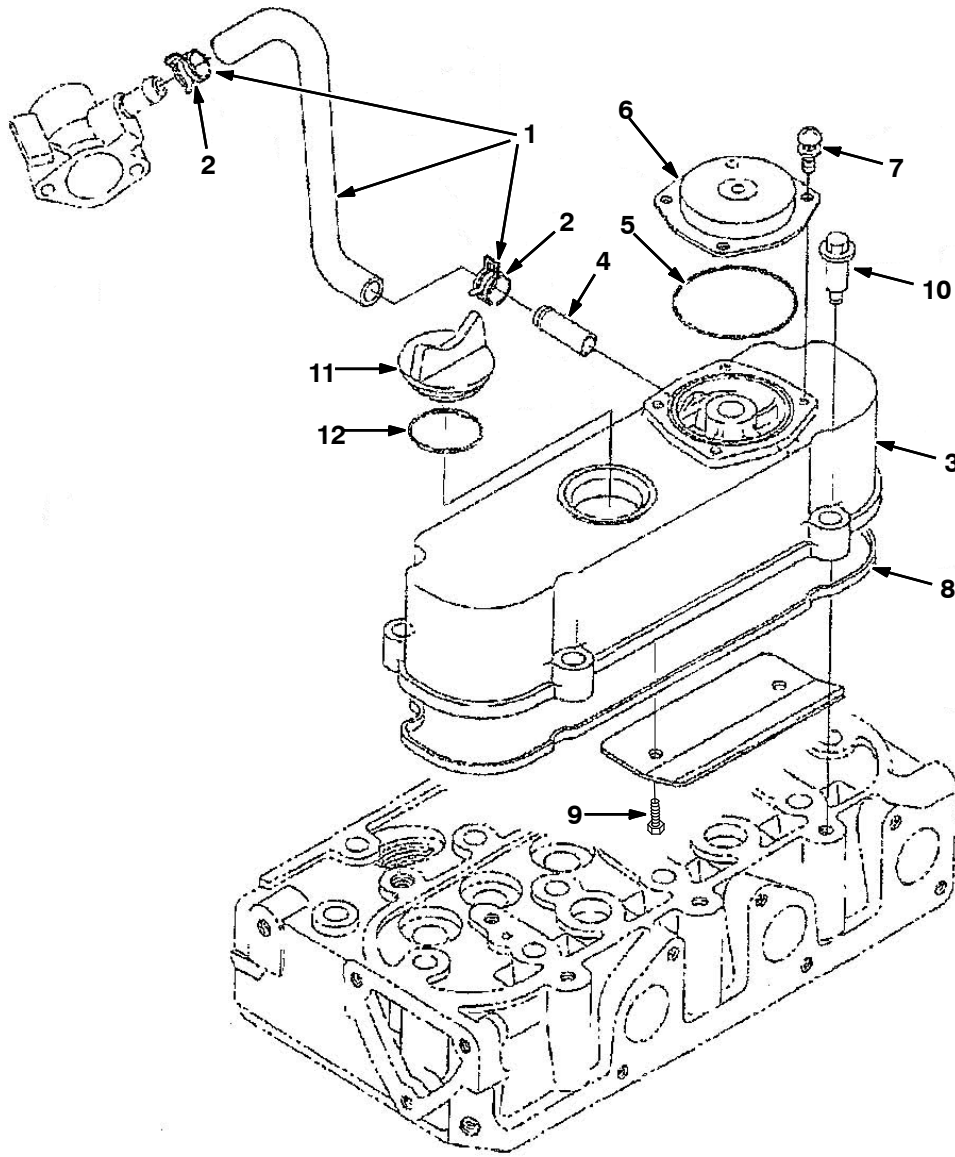
Ref.	Part No.	Description	Qty.
	1	39093 Hook, Eng	2
	2	39094 Screw, Hex [Ku]	1
▽	3	9006412 Head, Cyl, W/O Valve [Ku]	1
▲	4	393504 Cap, Sealing	1
▲	5	71999 Cap, Sealing, Eng [Ku]	2
▲	6	39088 Plug, Pin	1
▲	7	361564 Valve Guide, In	3
▲	8	361565 Valve Guide, Ex	3
▲	9	371930 Fitting, Plug	1
	10	361530 Bolt, Cyl Head	14
	11	9006413 Gasket, Head, Cyl [Ku]	1
	12	39128 Bolt, Hex [Ku]	1

Fig. 4 - Gear Case Group

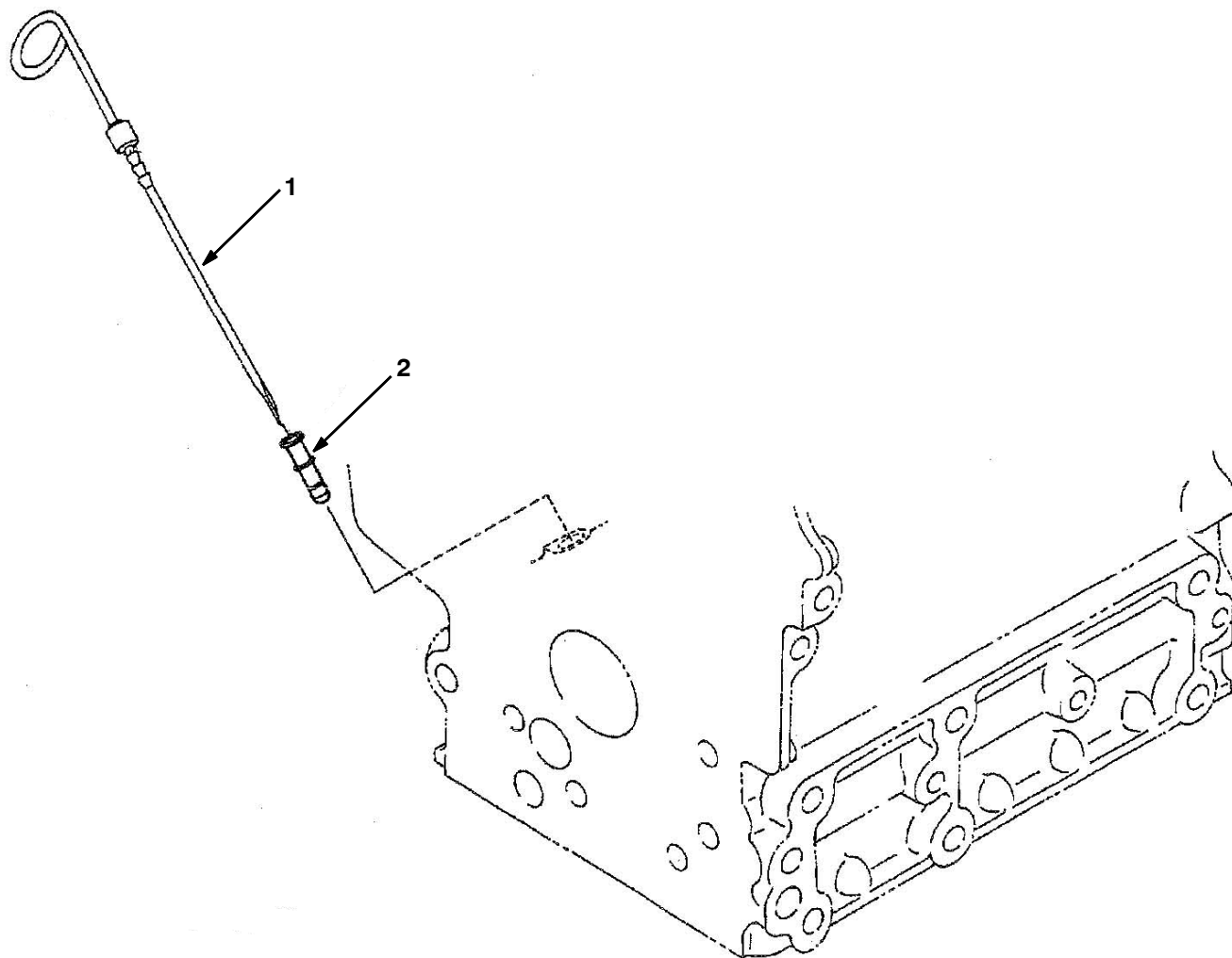


Ref.	Part No.	Description	Qty.
1	9006414	Housing, Gear, Complt [Ku]	1
2	39052	Fitting, Pipe, Plug [Ku]	2
3	12916	Joint Pipe	1
4	361588	Plain Washer	1
5	361638	Spring	1
6	361576	Valve Seat	1
7	393509	Ball	1
8	9006416	Gasket, Case, Gear [Ku]	1
9	40409	Bolt	1
10	384872	Bolt	8
11	361585	Bolt	5
12	72997	Screw, Hex [Ku]	2
13	9006427	Element, Fltr, Oil, Spin- On [Ku]	1
14	393508	Pin, Spring, Start	1
15	361621	Seal, Oil, Front [Ku]	1
16	9006417	Screw, Hex [Ku]	1
17	393588	Bolt, Flng	1
18	9006418	Washer, Rbr [Ku]	1

Fig. 5 - Head Cover Group

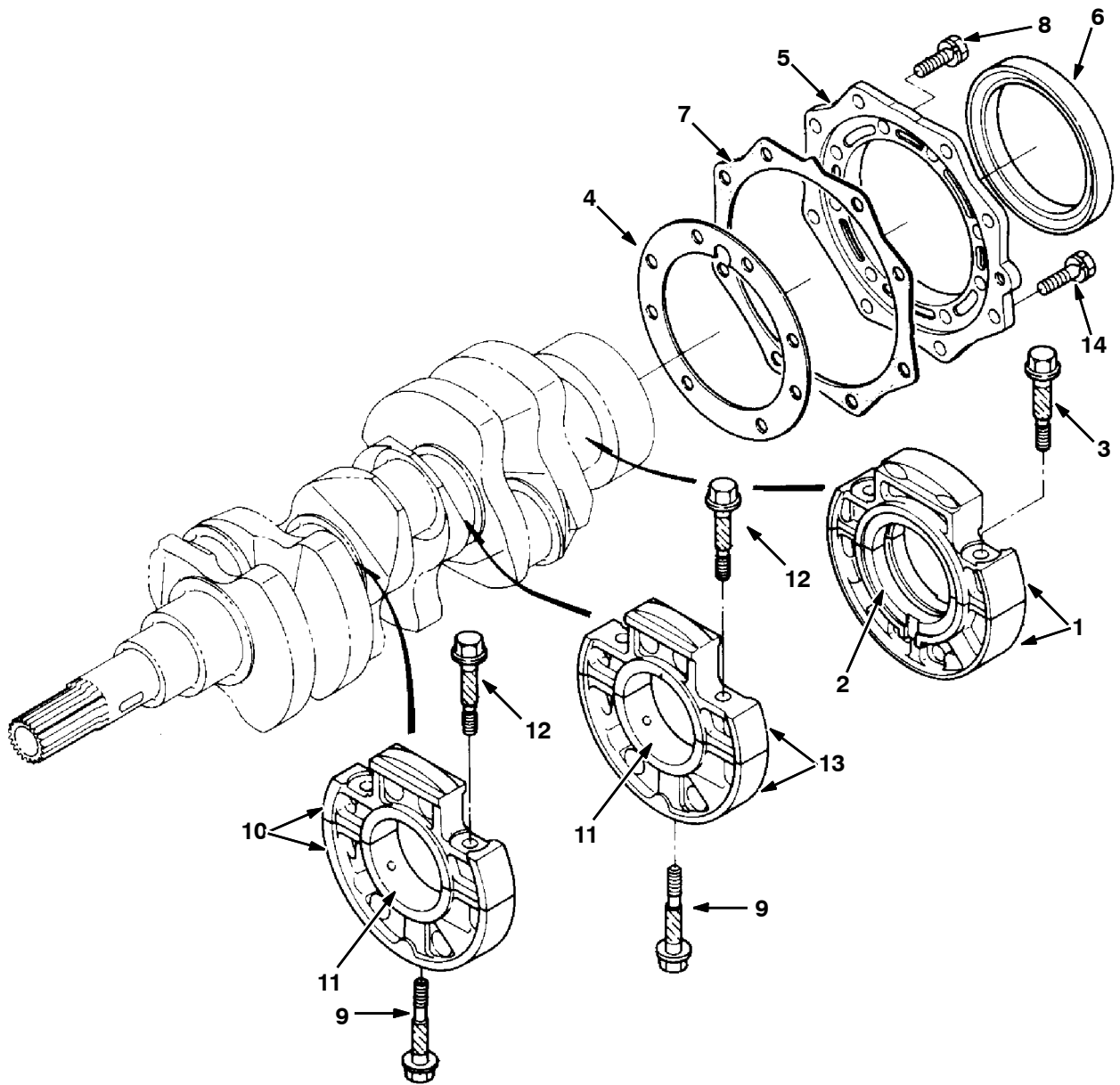


	Ref.	Part No.	Description	Qty.
▽	1	9006419	Tube Assy, Breather [Ku]	1
▲	2	73634	Clamp, Hose, Heater [Ku]	2
▽	3	9006420	Cover Assy, Head, Cyl [Ku]	1
▲	4	384859	Pipe, Water, Return	1
▲	5	9006424	Seal, Breather [Ku]	1
▲	6	9006425	Cover, Breather [Ku]	1
▲	7	73482	Screw, Hex, W/ Washer [Ku]	4
▲	8	9006426	Gasket, Cover, Valve [Ku]	1
	9	361650	Screw, Hex [Ku]	2
	10	372931	Bolt	4
	11	361374	Cap, Filler, Oil [Ku]	1
	12	70913	Seal, Org	1

Fig. 6 - Dipstick and Guide Group

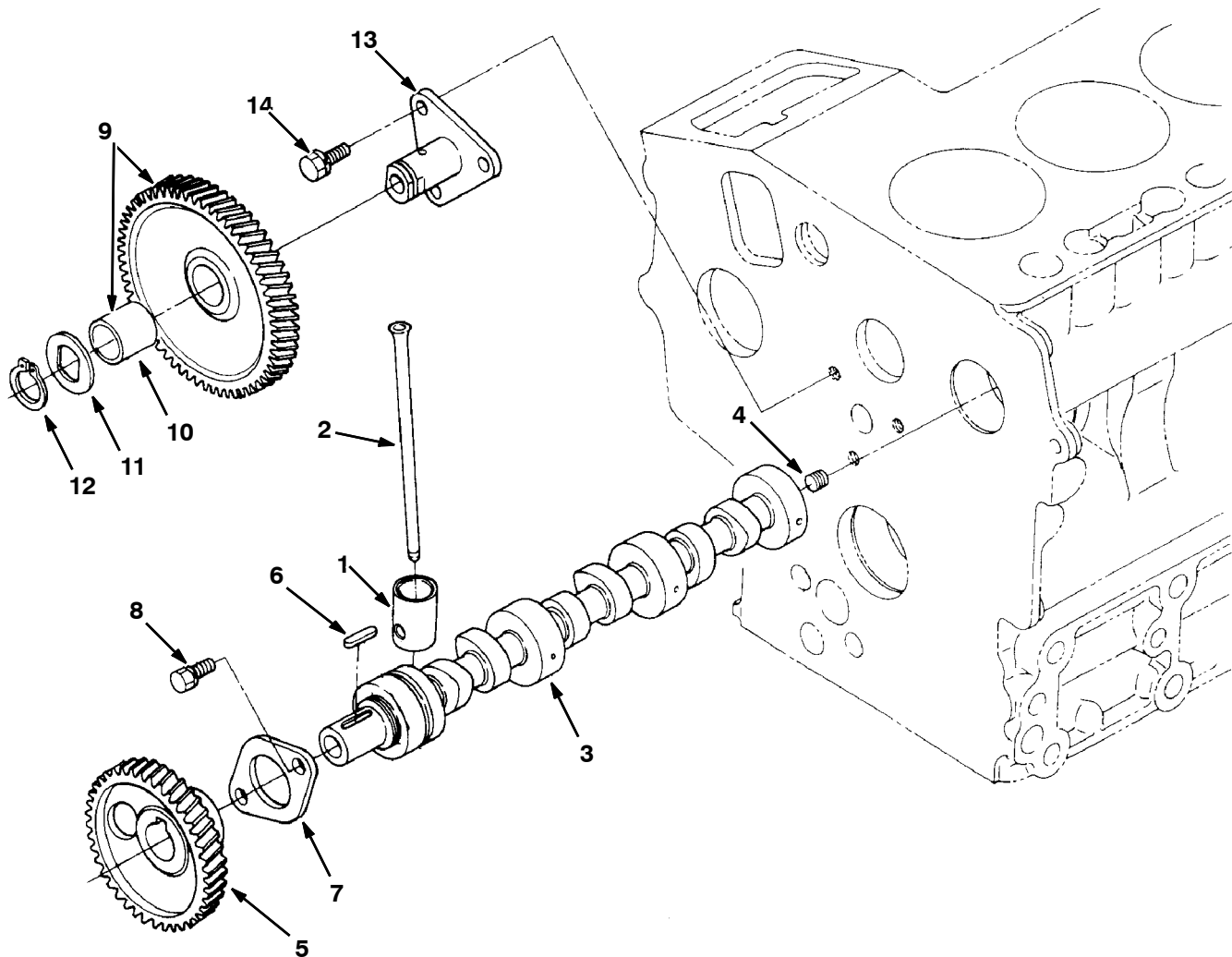
Ref.	Part No.	Description	Qty.
1	9006428	Dipstick [Ku]	1
2	9006429	Seal, Dipstick [Ku]	1

Fig. 7 - Main Bearing Case Group



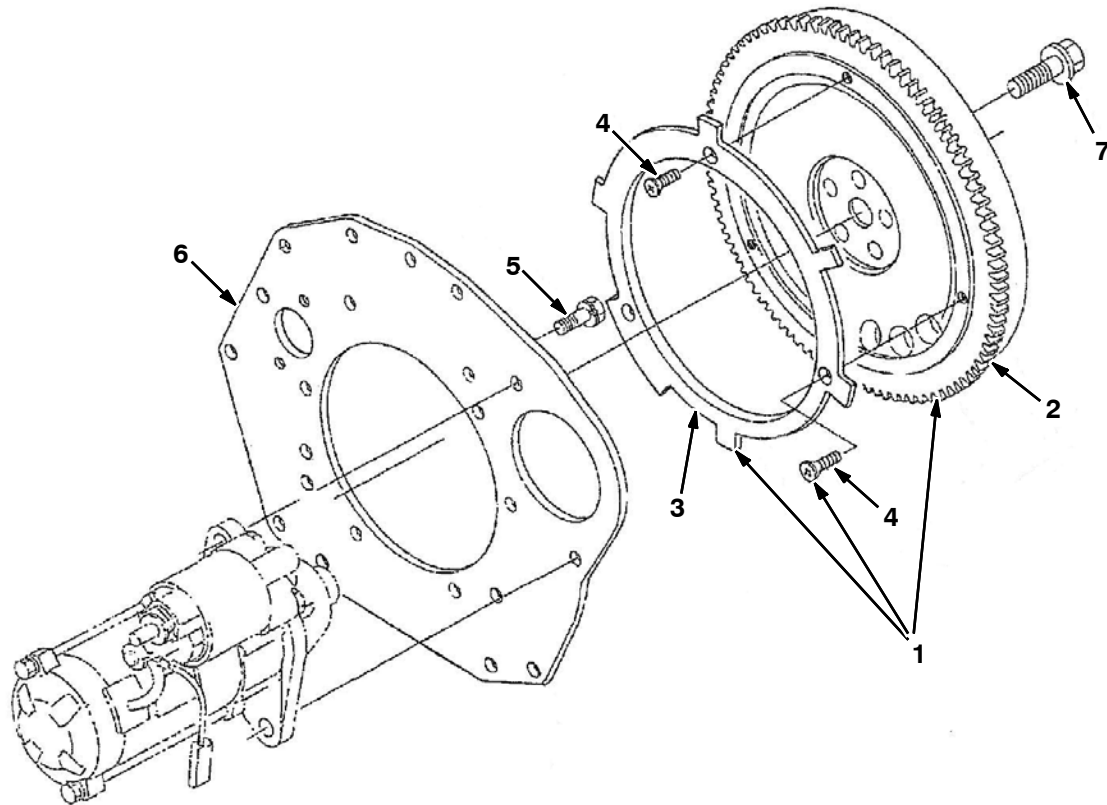
Ref.	Part No.	Description	Qty.
1	9006431	Bearing, Main [Ku]	1
2	9006451	Bearing, Cshft, Std [Ku]	1
3	9006432	Screw, Hex, Case, Brg, Main [Ku]	2
4	361590	Gasket, Case, Brg [Ku]	1
5	361556	Cover, Case, Brg [Ku]	1
6	361458	Seal, Oil, Rear [Ku]	1
7	361610	Gasket, Case, Brg [Ku]	1
8	371017	Bolt	16
9	361410	Bolt, Hex, Case, Brg, Main [Ku]	2
10	9006433	Bearing, Main [Ku]	1
11	9006448	Bearing, Cshft, Std [Ku]	2
12	9006432	Screw, Hex, Case, Brg, Main [Ku]	4
13	9006434	Bearing, Main [Ku]	1
14	39119	Bolt, Hex [Ku]	1

Fig. 8 - Camshaft Group



Ref.	Part No.	Description	Qty.
1	361633	Tappet	6
2	361632	Push Rod	6
▽	3	Camshaft Assy [Ku]	1
▲	4	Ball, Cshft [Ku]	1
▲	5	Gear, Camshaft	1
▲	6	Keyway	1
▲	7	Stopper,Camshft	1
8	71995	Bolt	2
▽	9006436	Gear Assy, Idler, Cam [Ku]	1
▲▽	9	Comp Gear,Idle	1
▲▲	10	Bushing, Gear, Cam [Ku] 15875- 24282	1
▲	11	Gear Collar,Idl	1
▲	12	Snap Ring	1
▲	13	Gear Shaft,Idle	1
14	39160	Bolt	3

Fig. 9 - Flywheel Group



Ref.	Part No.	Description	Qty.	
▽	1	9006458	Flywheel, Complt [Ku]	1
▲	2	361639	Gear, Ring, Flywheel [Ku]	1
▲	3	9006459	Plate, Flywheel [Ku]	1
▲	4	9006460	Screw, Csk [Ku]	3
	5	9006461	Screw, Hex, Flywheel [Ku]	10
	6	9006462	Plate, Eng, Rear [Ku]	1
	7	361591	Bolt, Hex, Flywheel [Ku]	5

Fig. 10 - Fuel Camshaft Group

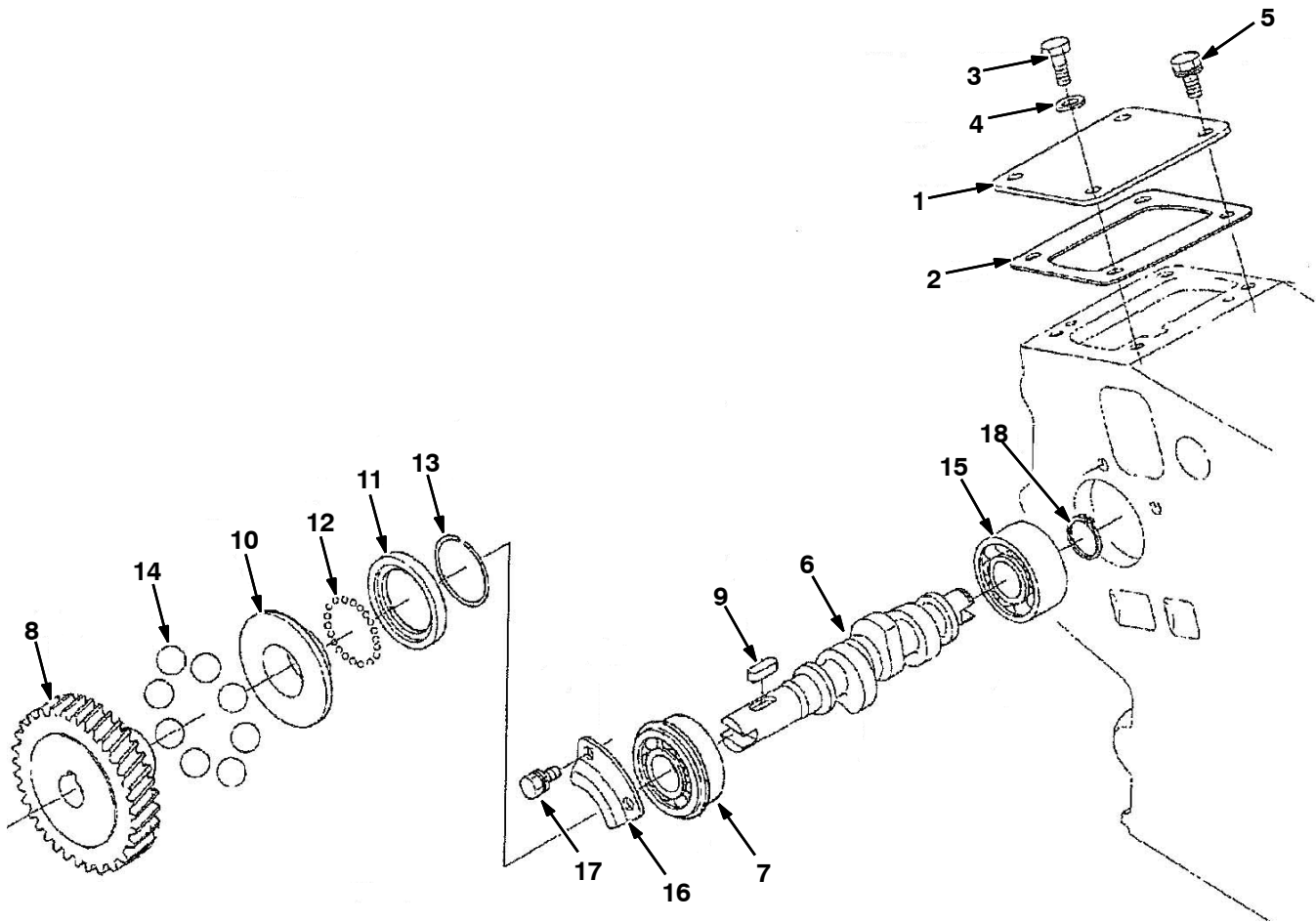


Fig. 10 - Fuel Camshaft Group

Ref.	Part No.	Description	Qty.	
1	361468	Cover	1	
2	9006463	Gasket, Cover, Cam, Fuel [Ku]	1	
3	9006560	Screw, Hex [Ku]	1	
4	40166	Gasket	1	
5	9004997	Screw, Hex [Ku]	1	
▽	6	393532	Camshaft Assy, Fuel	1
▲	7	393534	Bearing, Ball	1
▲	8	393535	Gear, Pump, Injection	1
▲	9	393529	Key	1
▲	10	361578	Sleeve, Gov	1
▲	11	361579	Ball Case, Gov	1
▲	12	393537	Ball	32
▲	13	361541	Cir Clip, Govslv	1
▲	14	39117	Ball	8
	15	9006464	Bearing, Ball [Ku]	1
	16	361570	Stopper, Fuelc/S	1
	17	39160	Bolt	2
	18	393539	Clip, Ext	1

Fig. 11 - Piston and Crankshaft Group

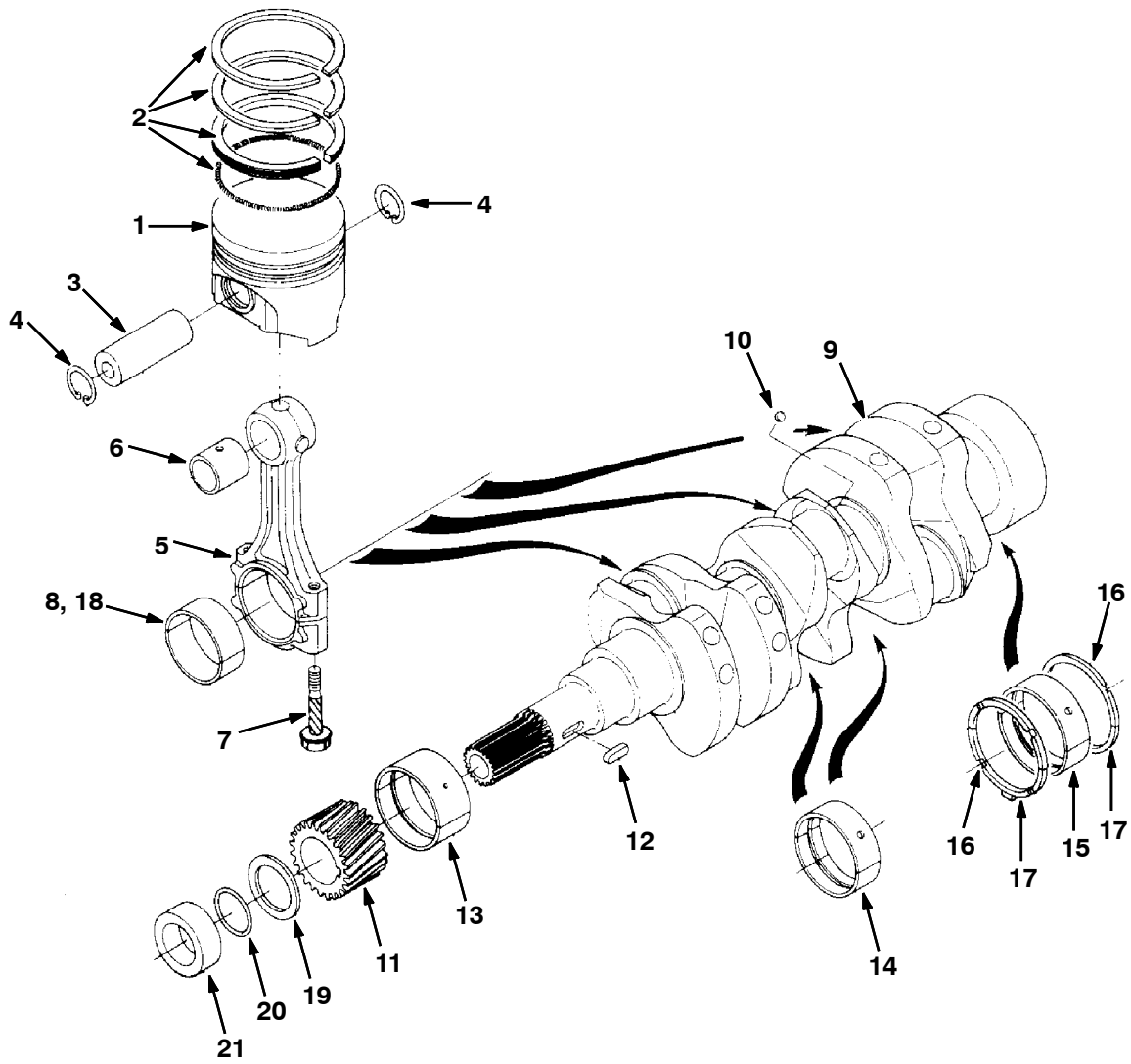


Fig. 11 - Piston and Crankshaft Group

Ref.	Part No.	Description	Qty.
▽	9006437	Piston Assy, Std [Ku]	1
▲	1 9006439	Piston, Std [Ku]	3
▲	2 9006441	Ring, Piston, Std [Ku]	3
▲	3 9006443	Pin, Piston [Ku]	3
▲	4 21802	Clip	6
▽	9006438	Piston Assy [+ .5mm, Ku]	1
▲	1 9006440	Piston [+ .5mm, Ku]	3
▲	2 9006442	Ring, Piston [+ .5mm, Ku]	3
▲	3 9006443	Pin, Piston [Ku]	3
▲	4 21802	Clip	6
▽	5 393524	Rod Assy, Connecting	3
▲	6 393525	Bushing, Pin, Piston	3
▲	7 361634	Bolt, Rod, Connecting [Ku]	6
▲	8 393526	Shim Kit, Pin, Crank, Std	6
▲	8 361601	Bearing, Rod, Connecting [- .2mm, Ku]	6
▲	8 361602	Bearing, Rod, Connecting [- .4mm, Ku]	6
▽	9 9006444	Crankshaft, Complt [Ku]	1
▲	10 393528	Ball	3
	11 361574	Gear, Cshft [Ku]	1
	12 393529	Key	1
▽	9006455	Bearing Kit, Cshft, Std [Ku]	1
▲	13 9006445	Bearing, Cshft, Std [Ku]	1
▲	14 9006448	Bearing, Cshft, Std [Ku]	4
▲	15 9006451	Bearing, Cshft, Std [Ku]	4
▲	16 51020	Bearing, Thrust, Std [Ku]	2
▲	17 51194	Bearing, Thrust, Std [Ku]	2
▲	18 393526	Shim Kit, Pin, Crank, Std	6
▽	9006456	Bearing Kit, Cshft [- .2mm, Ku]	1
▲	13 9006446	Bearing, Cshft [- .2mm, Ku]	1
▲	14 9006449	Bearing, Cshft [- .2mm, Ku]	4
▲	15 9006452	Bearing, Cshft [- .2mm, Ku]	4
▲	16 361539	Bearing, Thrust [+ .2mm, Ku]	2
▲	17 51276	Bearing, Thrust [- .2mm, Ku]	2
▲	18 361601	Bearing, Rod, Connecting [- .2mm, Ku]	6
▽	9006457	Bearing Kit, Cshft [- .4mm, Ku]	1
▲	13 9006447	Bearing, Cshft [- .4mm, Ku]	1
▲	14 9006450	Bearing, Cshft [- .4mm, Ku]	4
▲	15 9006453	Bearing, Cshft [- .4mm, Ku]	4
▲	16 361540	Bearing, Thrust [+ .4mm, Ku]	2
▲	17 51277	Bearing, Thrust [+ .4mm, Ku]	2
▲	18 361602	Bearing, Rod, Connecting [- .4mm, Ku]	6
	19 361624	Slinger, Oil, Eng [Ku]	1
	20 9006454	Ring [Ku]	1
	21 361573	Collar, Crank, Front [Ku]	1

Fig. 12 - Carburetor Group

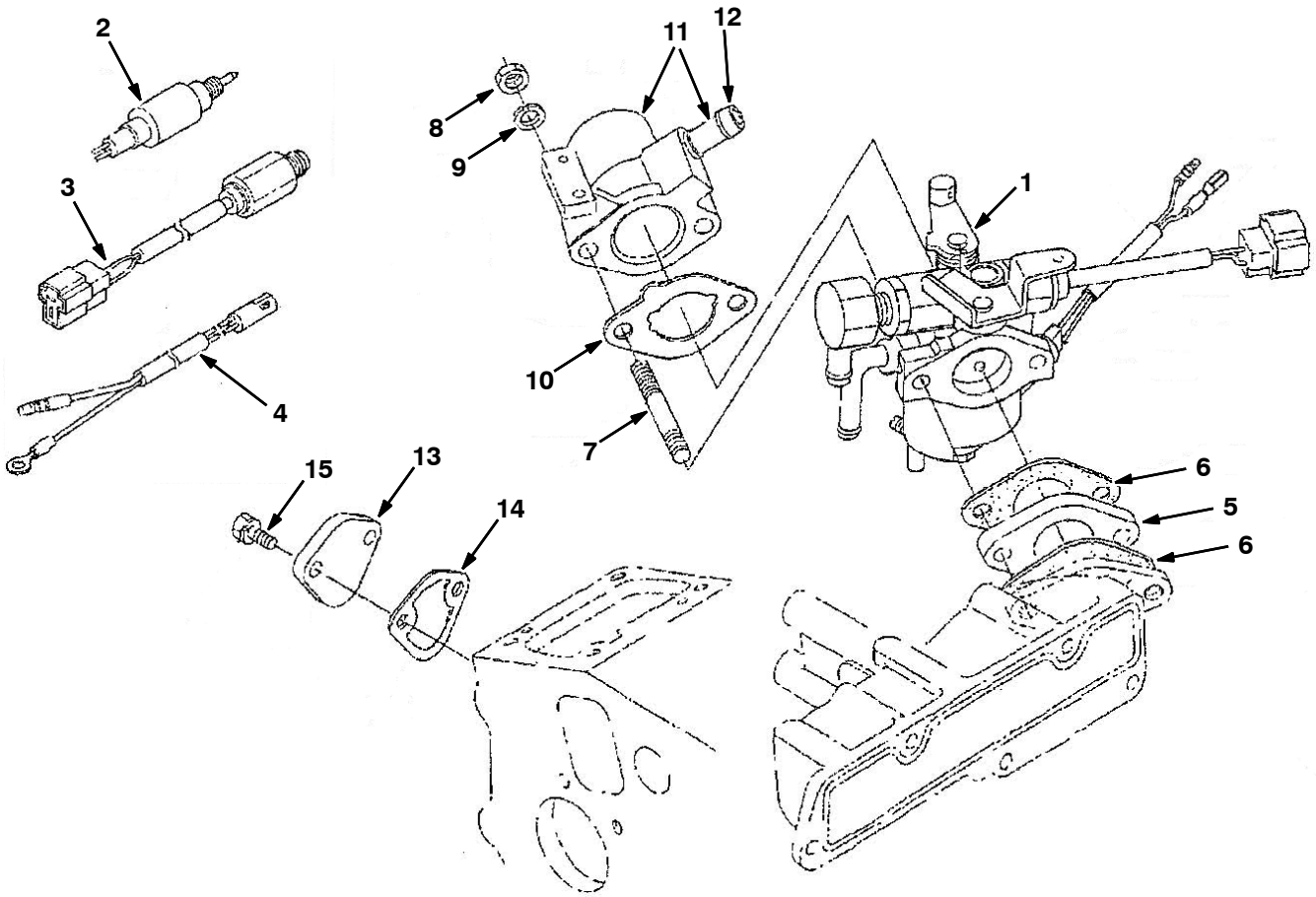
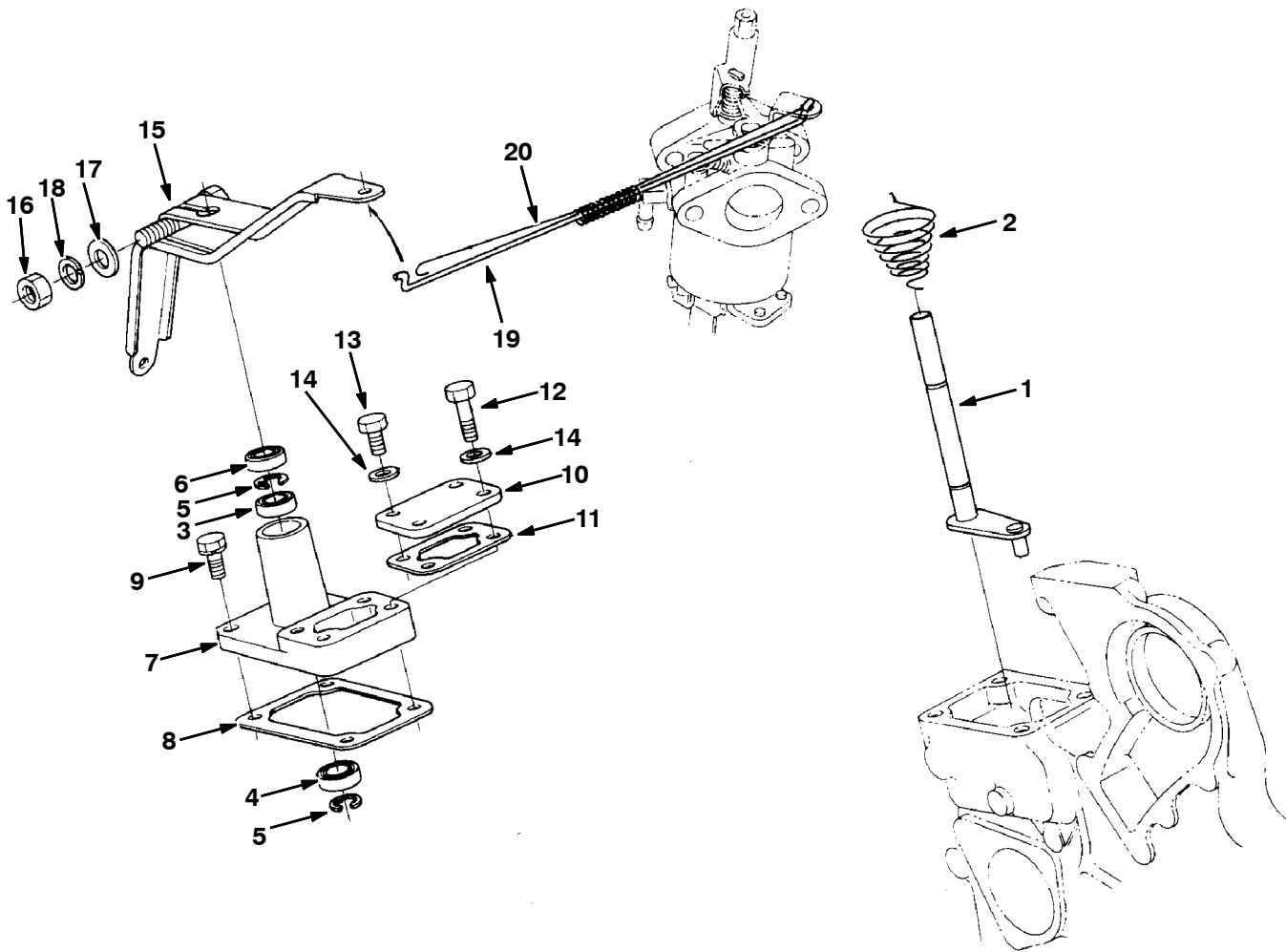


Fig. 12 - Carburetor Group

	Ref.	Part No.	Description	Qty.
▽	1	9006471	Carburetor [Ku]	1
▲	2	384908	Solenoid, Gas	1
▲	3	384909	Solenoid, Lpg	1
▲	4	372248	Harness, Jumper [Kubota Engine]	1
	5	361498	Flange, Carb [Ku]	1
	6	361455	Gasket, Carb [Ku]	2
	7	9006472	Stud, Carb [Ku]	2
	8	39096	Nut	2
	9	39097	Washer, Lock, Split [Ku,04512- 50080]	2
	10	9006475	Gasket, Fltr, Air [Ku]	1
▽	11	9006473	Flange Assy, Fltr, Air [Ku]	1
▲	12	9006474	Fitting, Flng [Ku]	1
	13	73565	Cover, Hole, Pump, Fuel [Ku]	1
	14	70974	Gasket, Pump, Fuel [Ku]	1
	15	41973	Bolt, Hex [Ku]	2

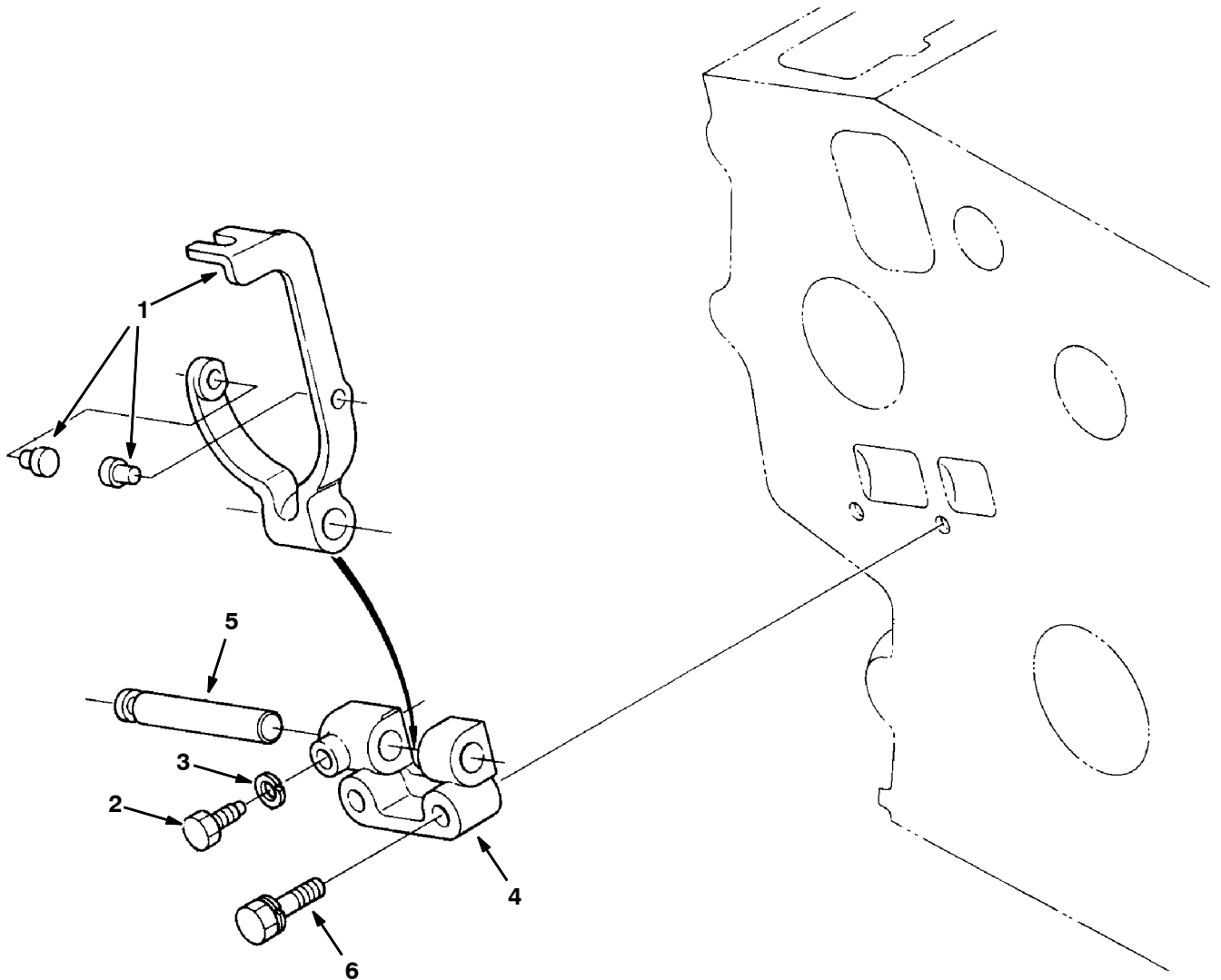
Fig. 13 - Governor Group



350249 - G, LP, LIQ

Ref.	Part No.	Description	Qty.
1	361476	Comp Lever, Gov	1
2	361473	Spring, Gov Lvr	1
3	9006465	Bearing, Ball [Ku]	1
4	9006466	Bearing, Ball [Ku]	1
5	361471	Cir- Clip	2
6	361472	Seal, Oil	1
7	361479	Supt, Gov L Shft	1
8	361581	Gasket	1
9	40409	Bolt	2
10	361480	Cover	1
11	361481	Gasket	1
12	9006467	Screw, Hex [Ku]	2
13	9006560	Screw, Hex [Ku]	2
14	40166	Gasket	4
15	9006468	Lever, Govnr [Ku]	1
16	39096	Nut	1
17	40231	Washer	1
18	39097	Washer	1
19	9006469	Rod, Cntrl, Govnr [Ku]	1
20	9006470	Spring, Ext [Ku]	1

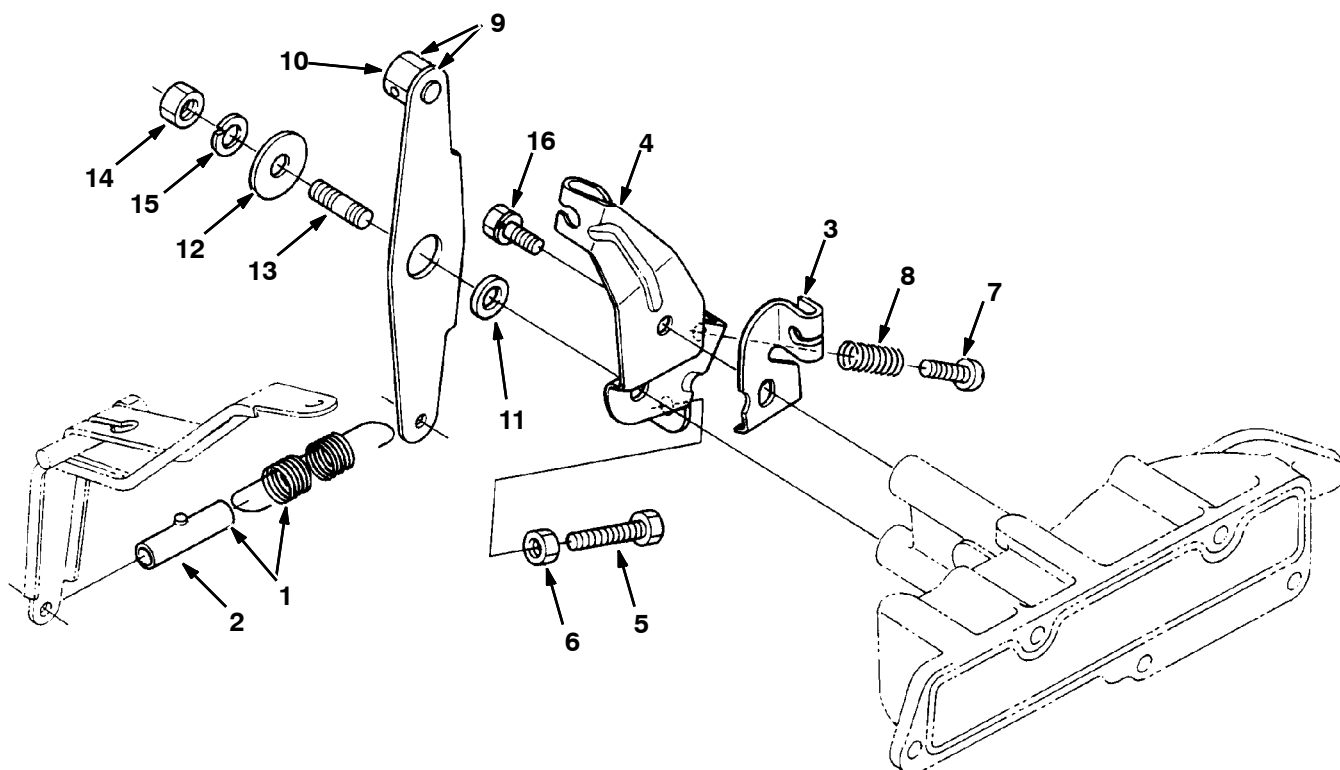
Fig. 14 - Fork Lever Group



350253 - G, LP, LIQ

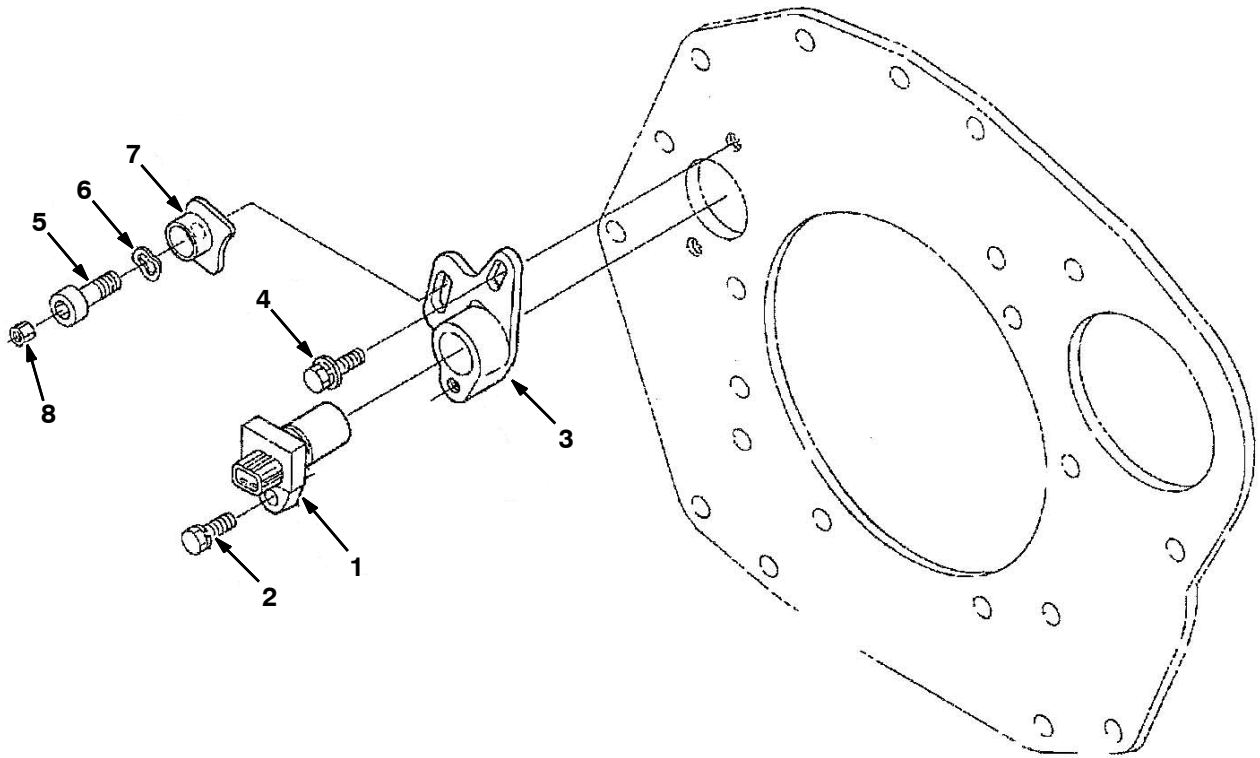
Ref.	Part No.	Description	Qty.
▽	361475	Lever,Assy,Fork	1
▲	1 361474	Shaft, Lever, Govnr [Ku]	1
▲	2 361542	Bolt	1
▲	3 9006476	Tube, Cushion, Spd Cntrl [Ku]	1
▲	4 361580	Holder,Fork Lev	1
▲	5 361477	Shaft,Fork Levr	1
	6 393549	Bolt	2

Fig. 15 - Speed Control Lever Group



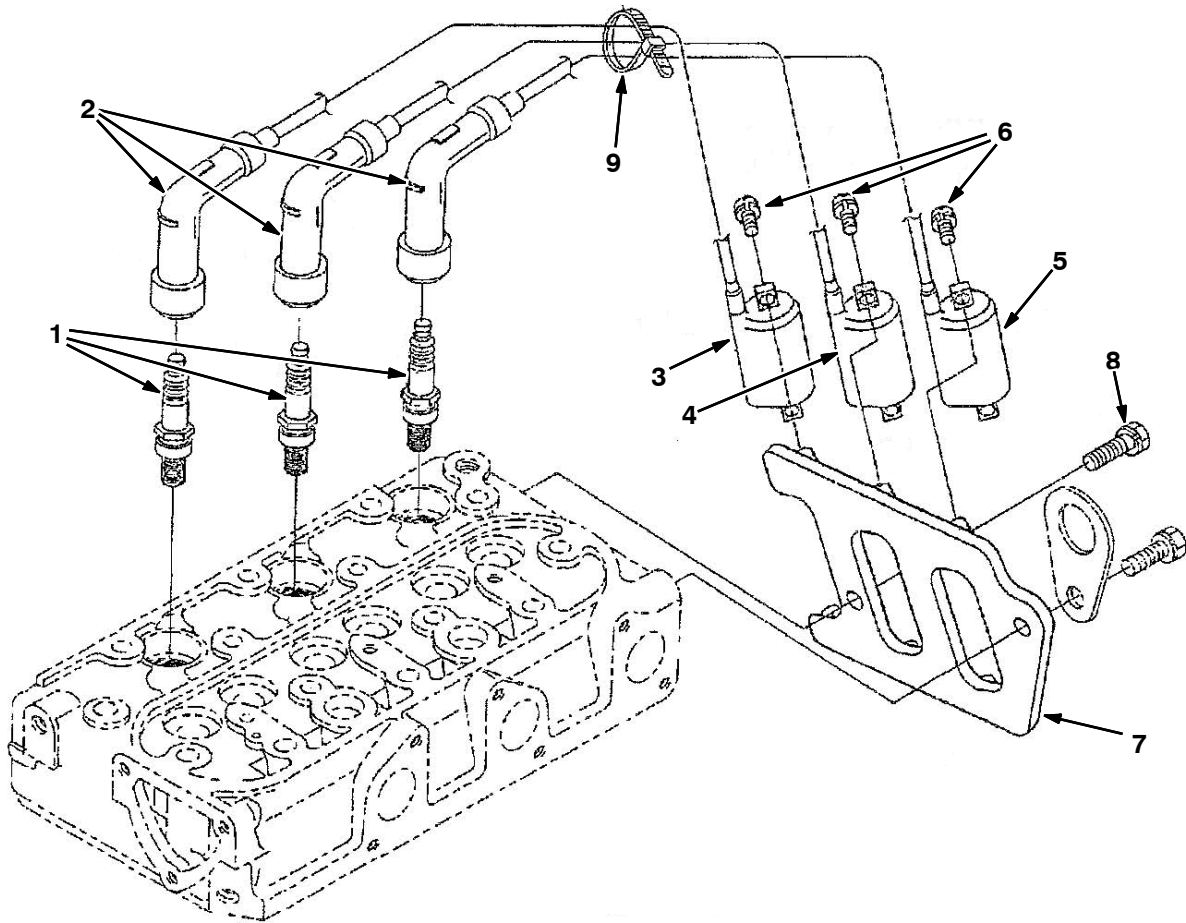
Ref.	Part No.	Description	Qty.	
▽	1	9006477	Spring Assy, Govnr [Ku]	1
▲	2	361512	Cushion	1
	3	361499	Stay,Choke	1
▽	4	9006478	Plate Assy, Cntrl [Ku]	1
▲	5	361456	Screw	1
▲	6	9006479	Nut, Hex [Ku]	1
▲	7	361457	Screw	1
▲	8	361528	Spring	1
▽	9	9006480	Lever, Cntrl, Spd [Ku]	1
▲	10	9006481	Stop, Lever, Cntrl, Spd [Ku]	1
	11	361486	Sleeve [Ku]	1
	12	9006482	Washer, Flat [Ku]	1
	13	9006483	Stud [Ku]	1
	14	39096	Nut	1
	15	39097	Washer, Lock, Split [Ku,04512- 50080]	1
	16	9004997	Screw, Hex [Ku]	1

Fig. 16 - Sensor Group



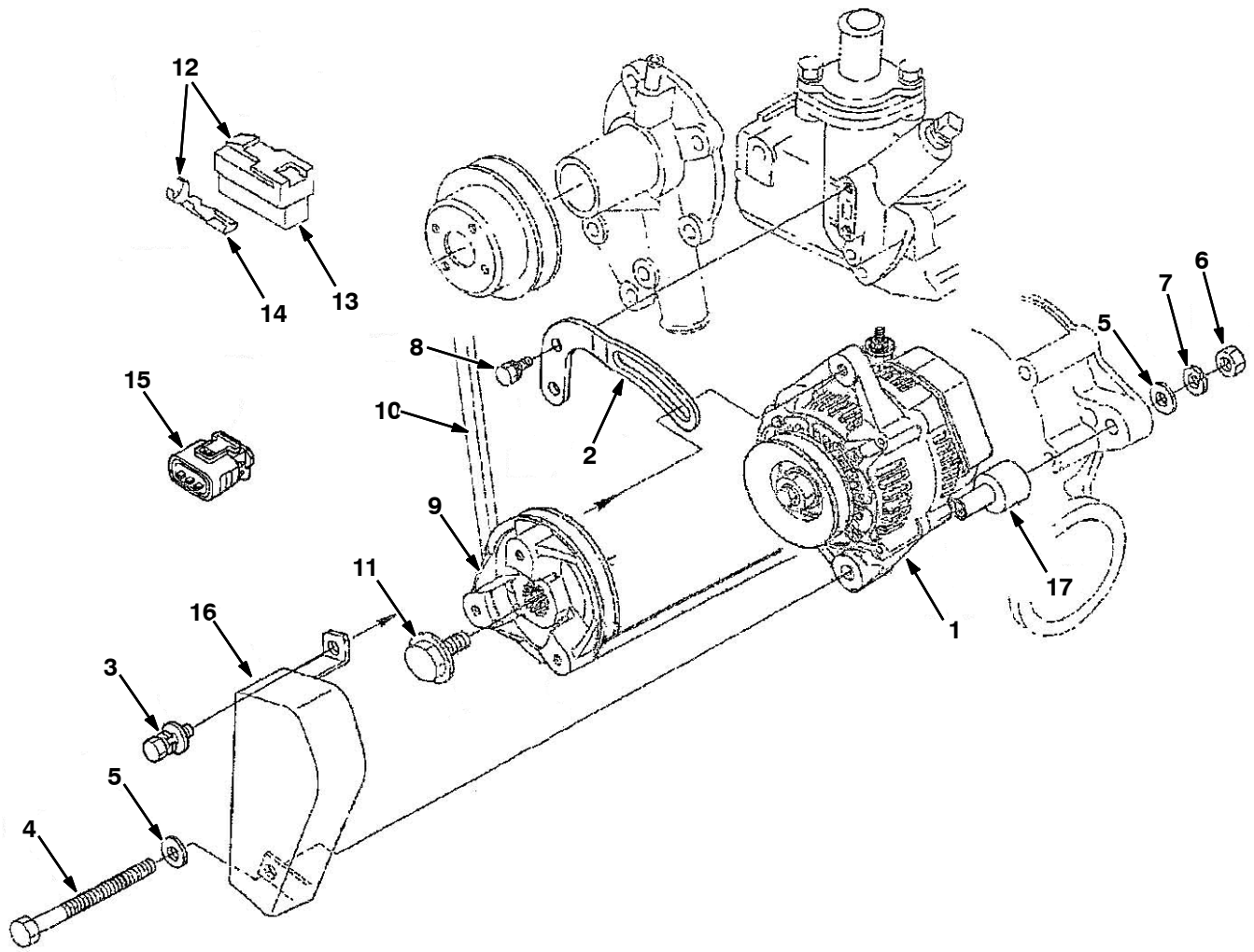
Ref.	Part No.	Description	Qty.
1	9006487	Sensor [Ku]	1
2	9006488	Screw, Hex [Ku]	1
3	9006489	Housing, Sensor [Ku]	1
4	9006490	Screw, Hex, Flng [Ku]	2
5	9006492	Screw, Soc [Ku]	1
6	9006493	Washer, Lock, Ext [Ku]	1
7	9006494	Cover, Sensor [Ku]	1
8	9006495	Plug, Screw [Ku]	1

Fig. 17 - Spark Plug and Ignition Coil Group



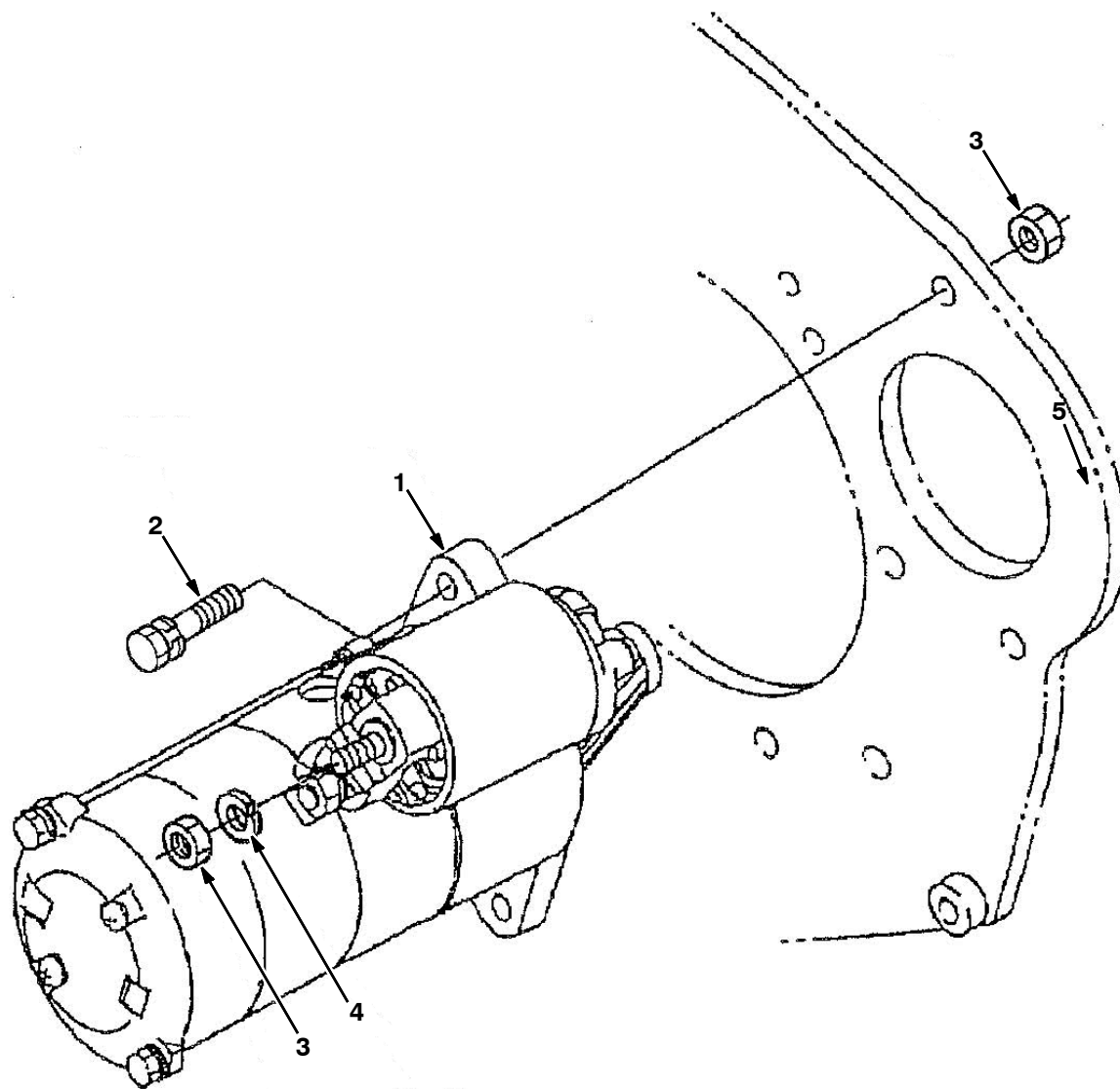
Ref.	Part No.	Description	Qty.
1	9006496	Sparkplug [Ku]	3
2	9006497	Cap, Sparkplug [Ku]	3
3	9006498	Coil, Ignition [Ku]	1
4	9006499	Coil, Ignition [Ku]	1
5	9006500	Coil, Ignition [Ku]	1
6	393566	Screw, W / Washer	6
7	9006501	Bracket, Mtg, Coil [Ku]	1
8	73616	Bolt	1
9	9006502	Tie, Wire [Ku]	2

Fig. 18 - Alternator and Pulley Group



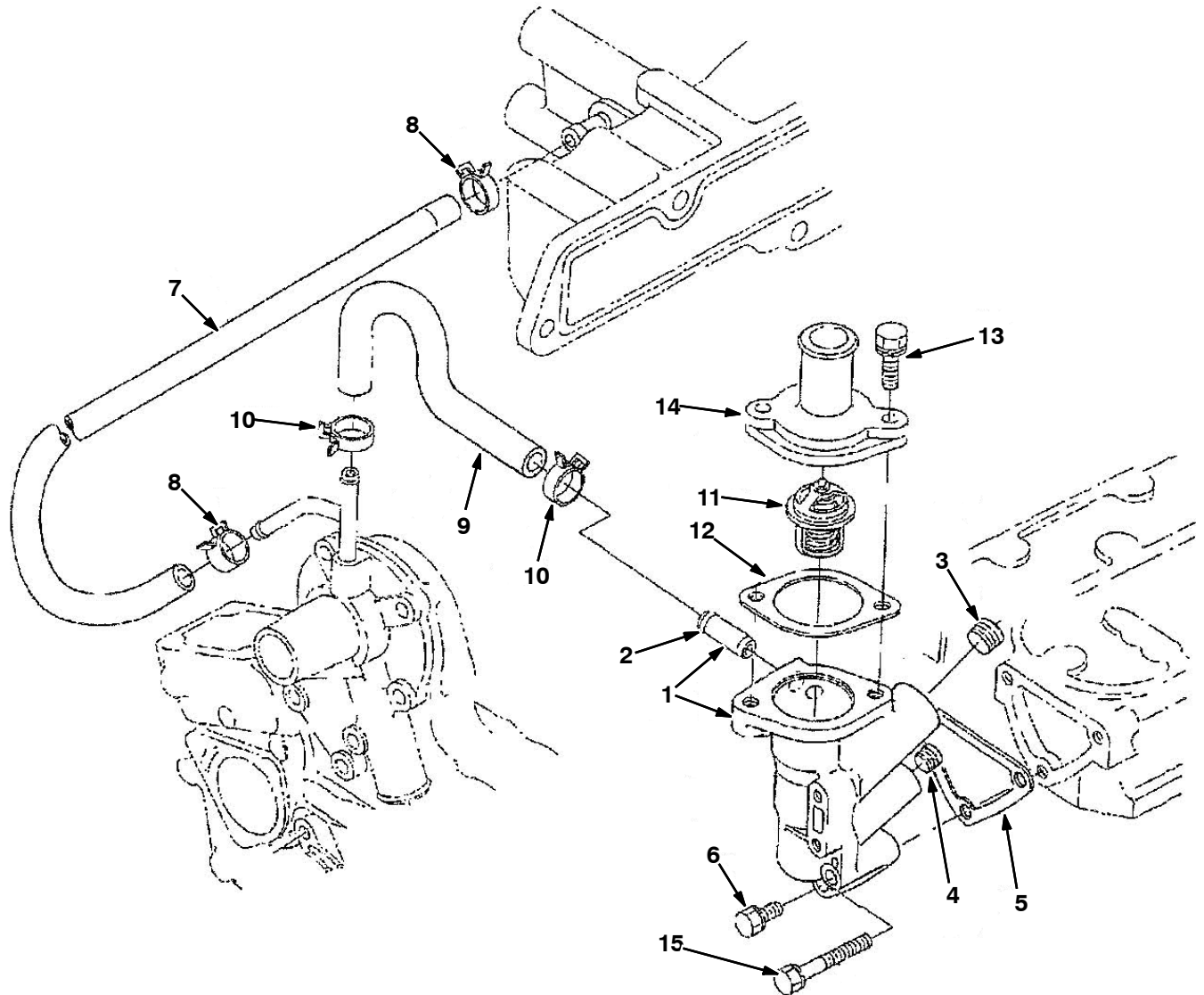
Ref.	Part No.	Description	Qty.
1	9006504	Alternator, 12vdc 040a [Ku]	1
2	361615	Arm, Alternator [Ku]	1
3	9006505	Screw, Hex [Ku]	1
4	9006506	Screw, Hex [Ku]	1
5	40231	Washer	1
6	39096	Nut	1
7	39097	Washer, Lock, Split [Ku,04512- 50080]	1
8	41973	Bolt, Hex [Ku]	1
9	361649	Sheave, Cshft [Ku]	1
10	375047	Belt, V, Alternator [Ku]	1
11	361628	Bolt, Hex, Crank [Ku]	1
12	9006508	Terminal, Alternator [Ku]	1
13	368075	Connector, Blade, 2 Terminal [AltV]	1
14	368078	Terminal, Qf, .25	2
15	PP163	Connector Kit,90 Amp Kubota Alternator	1
16	9006507	Guard, Belt [Ku]	1
17	9006561	Tube, Spacer, Alternator [Ku]	1

Fig. 19 - Starter Group



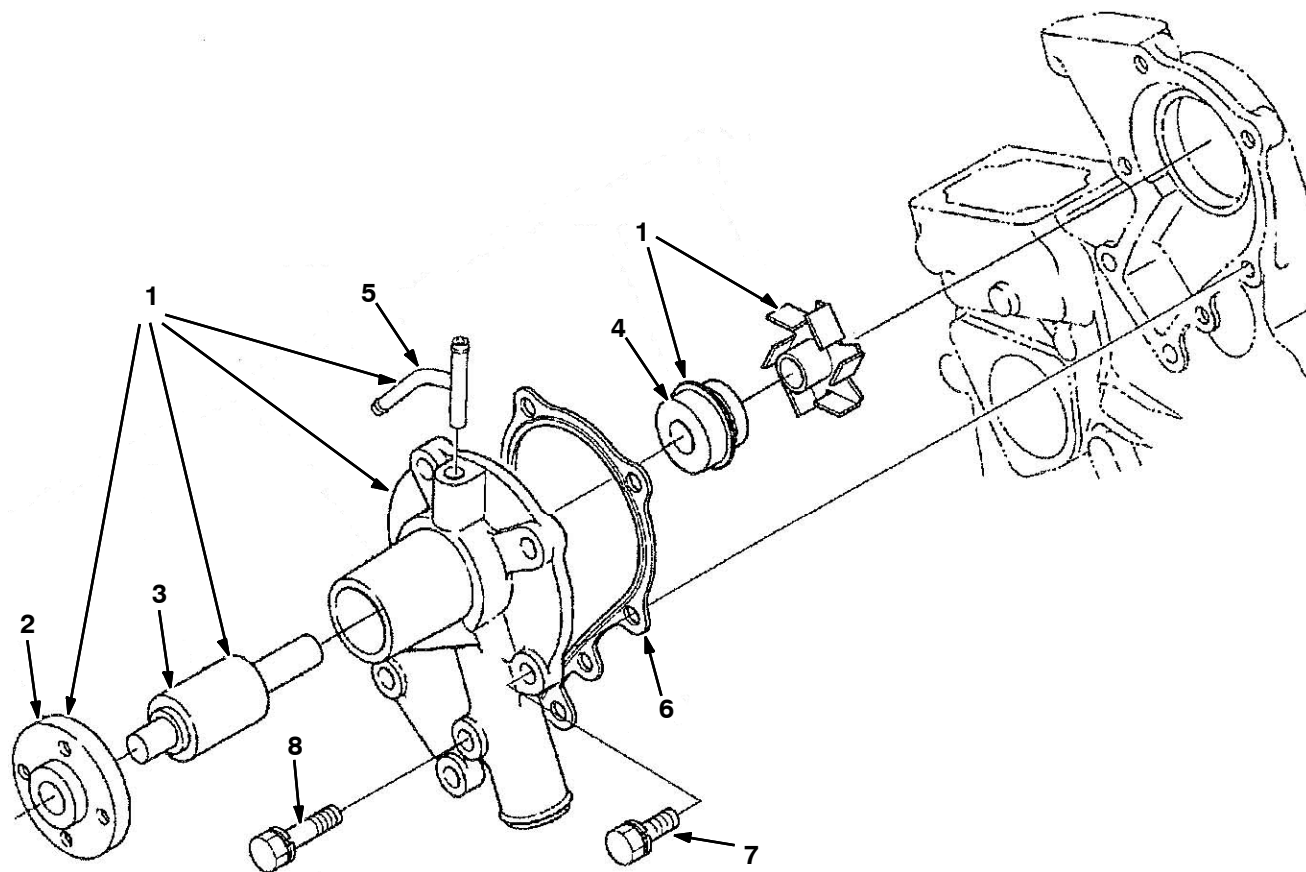
	Ref.	Part No.	Description	Qty.
▽	1	393577	Starter, 12vdc [Kubo]	1
▲		9006509	Solenoid, Starter [Ku]	1
	2	73535	Screw, Hex [Ku]	2
	3	39096	Nut	2
	4	39097	Washer, Lock, Split [Ku,04512- 50080]	2

Fig. 20 - Water Flange and Thermostat Group



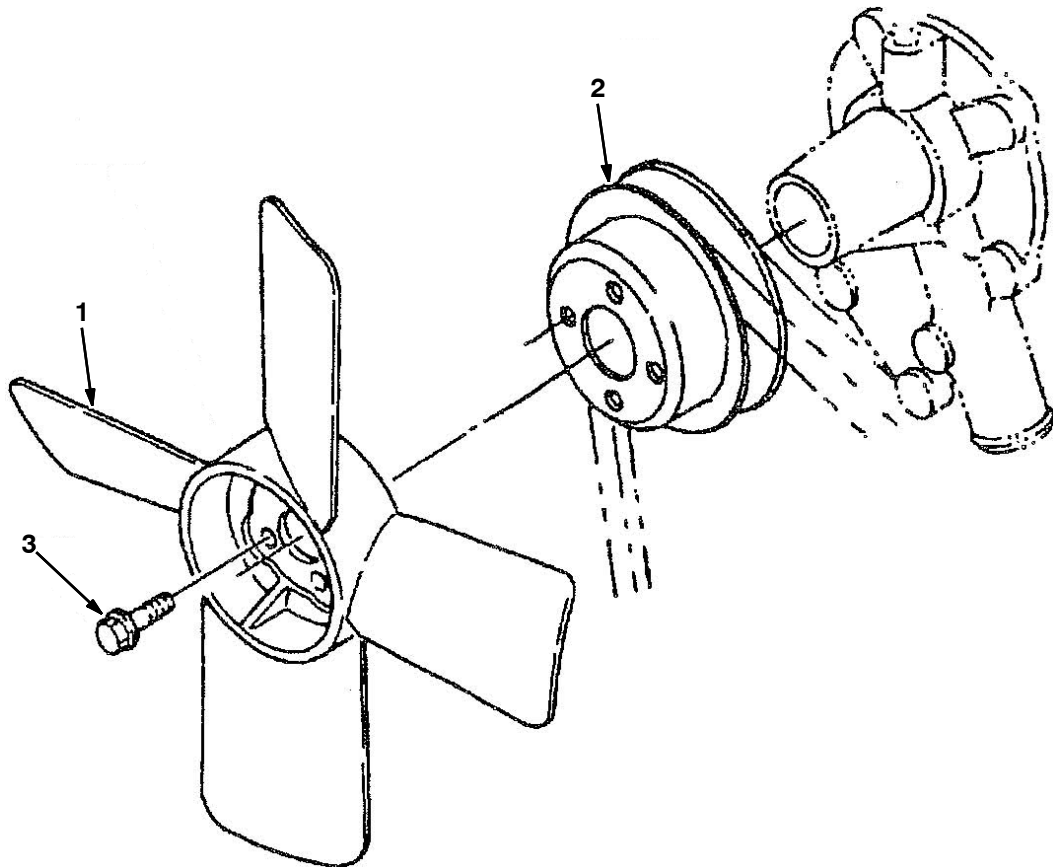
	Ref.	Part No.	Description	Qty.
▽	1	9006510	Housing, Thermostat [Ku]	1
▲	2	384859	Pipe, Water, Return	1
	3	371930	Fitting, Plug	1
	4	9006511	Plug [Ku]	1
	5	361614	Gasket, Hsg, Thermostat [Ku]	1
	6	41973	Bolt, Hex [Ku]	2
	7	9006512	Hose, Water [Ku]	1
	8	73634	Clamp, Hose, Heater [Ku]	2
	9	9006513	Hose, Water [Ku]	1
	10	73634	Clamp, Hose, Heater [Ku]	2
	11	368089	Thermostat, 160deg, 1.7d [Ku]	1
	12	10851	Gasket	1
	13	39128	Bolt, Hex [Ku]	2
	14	9006514	Cover, Thermostat [Ku]	1
	15	72994	Screw, Hex [Ku]	1

Fig. 21 - Water Pump Group



Ref.	Part No.	Description	Qty.	
▽	1	9006515	Pump, Water [Ku]	1
▲	2	393583	Flange, Pump, Water	1
▲	3	393584	Bearing, Ball	1
▲	4	393585	Seal Assy, Mechanical	1
▲	5	9006516	Pipe, Water [Ku]	1
	6	9006517	Gasket, Pump, Water [Ku]	1
	7	39119	Bolt, Hex [Ku]	4
	8	72996	Screw, Hex [Ku]	1

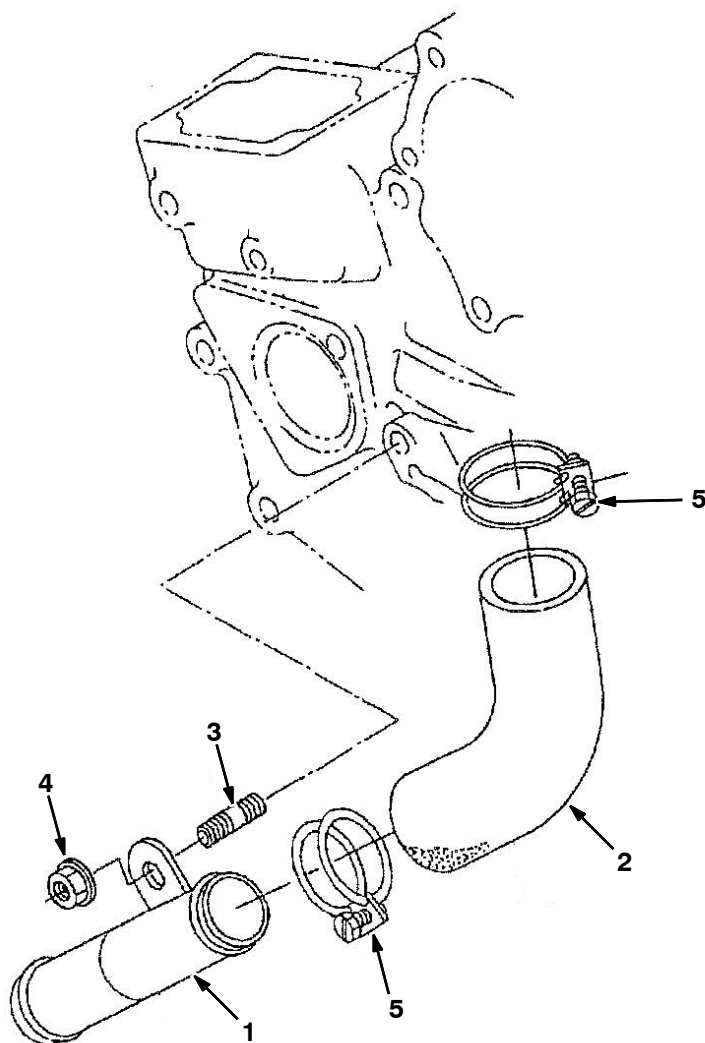
Fig. 22 - Fan Group



Ref.	Part No.	Description	Qty.
1	361626	Fan, Eng, 5 Blade [Kubota]	1
2	361584	Sheave, Pump, Water [Ku]	1
3	393588	Bolt, Flng	4

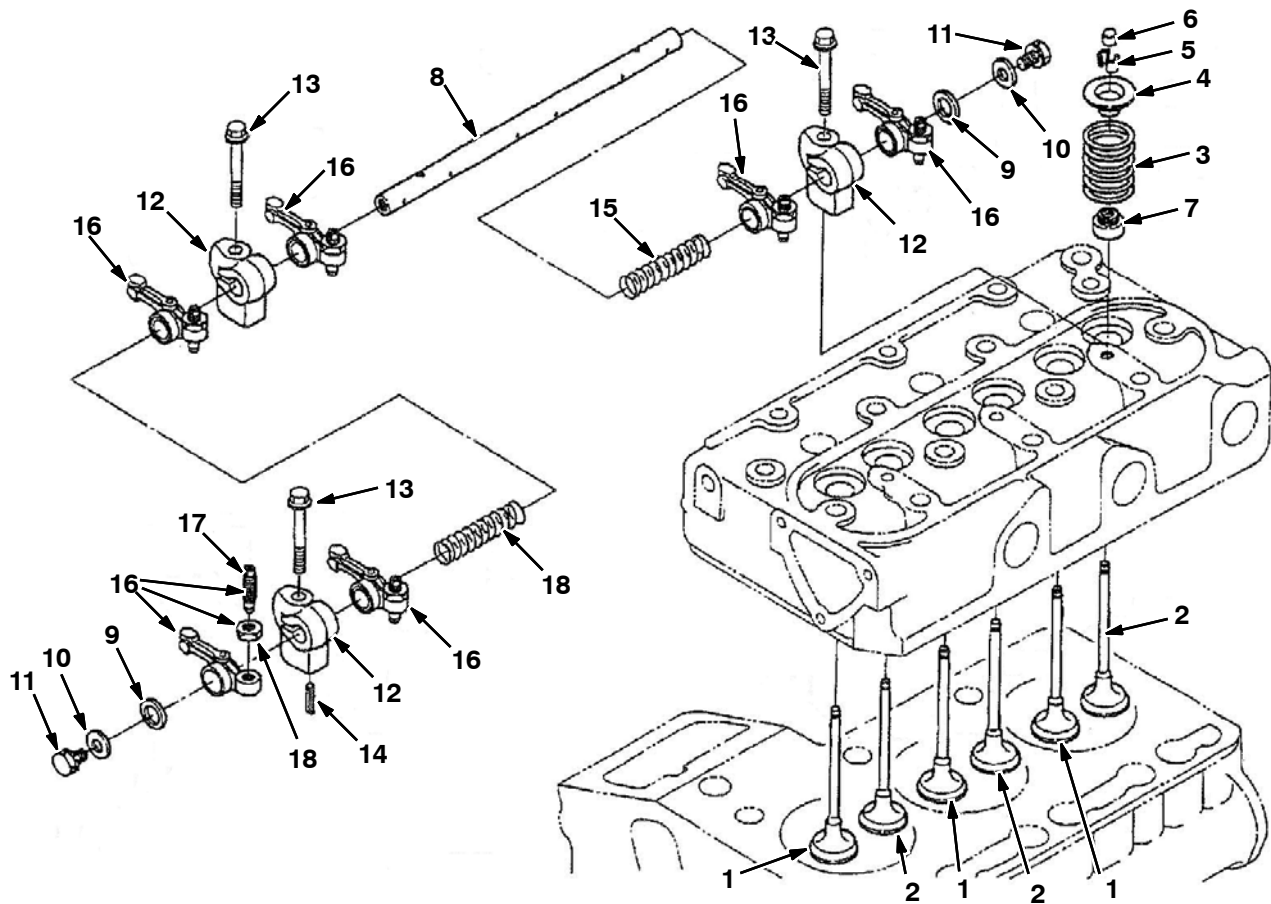
☐ Machine Serial number (000000- 002099)

Fig. 23 - Water Pipe Group



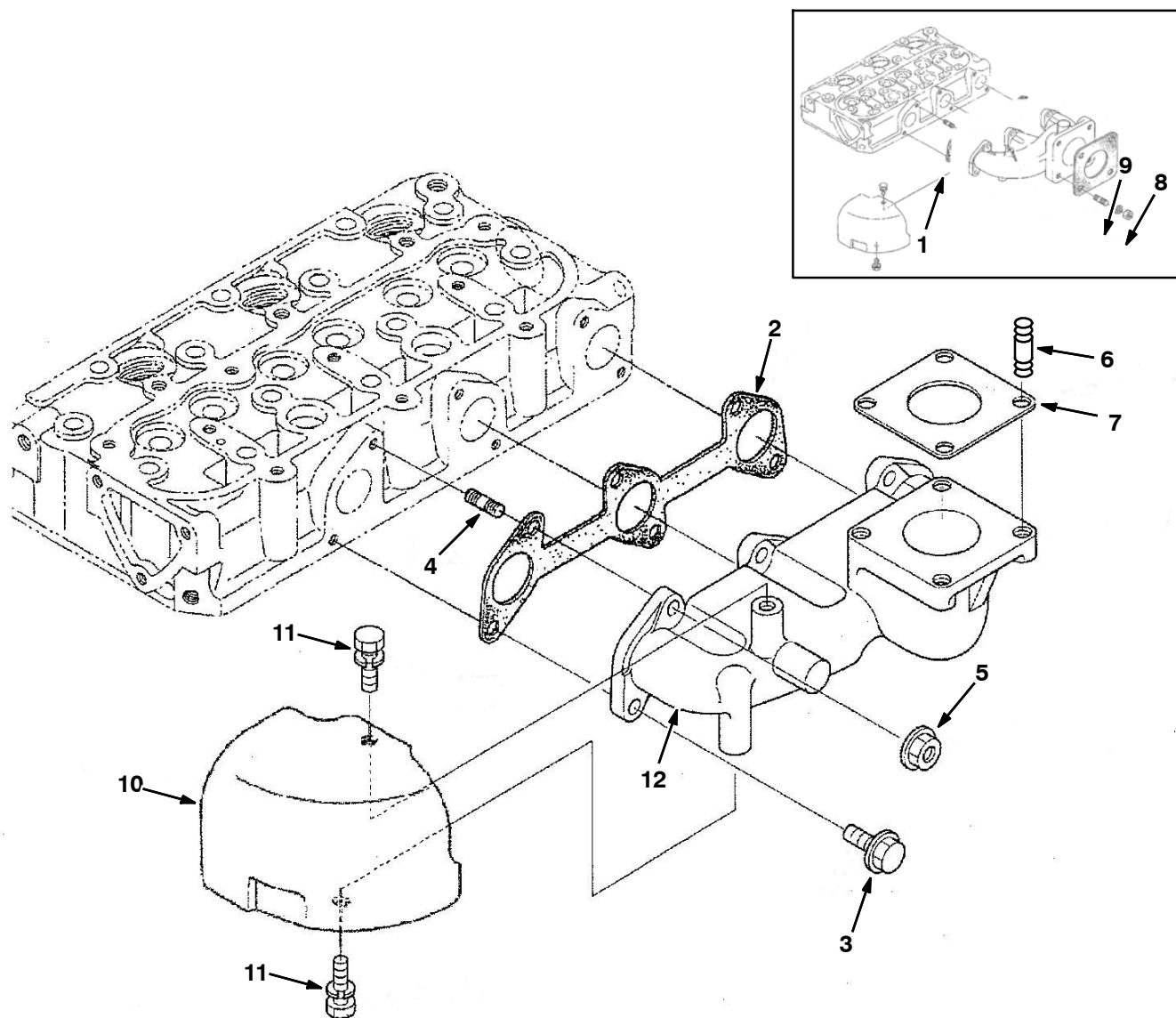
Ref.	Part No.	Description	Qty.
1	9006518	Pipe, Water [Ku]	1
2	9006519	Hose, Water [Ku]	1
3	393645	Stud	1
4	9005006	Nut, Hex [Ku]	1
5	9006520	Clamp, Hose [Ku]	2

Fig. 24 - Valve and Rocker Arm Group



Ref.	Part No.	Description	Qty.
1	9006521	Valve, Intake [Ku]	3
2	9006522	Valve, Exhaust [Ku]	3
3	9006523	Spring, Valve [Ku]	6
4	361532	Retainer, Spring, Valve [Ku]	6
5	361533	Reainre, Spring [Ku] 14601- 13361	6
6	361631	Cap, Valve [Ku] 16851- 13281	6
7	9006524	Seal, Valve [Ku]	6
8	9006525	Shaft, Arm, Rocker [Ku]	1
9	361651	Washer, Shaft, Rocker [Ku]	2
10	361589	Washer, Flat [Ku]	2
11	393598	Bolt	2
12	361458	Seal, Oil, Rear [Ku]	3
13	9006526	Screw, Hex [Ku]	3
14	40407	Pin, Spring [Ku]	1
15	9006527	Spring, Arm, Rocker [Ku]	2
16	361566	Arm, Rocker [Ku]	6
17	361567	Screw, Adj, Rocker Arm [Ku]	6
18	361534	Nut, Lock, Rocker Arm [Ku]	6

Fig. 25 - Exhaust Manifold Group

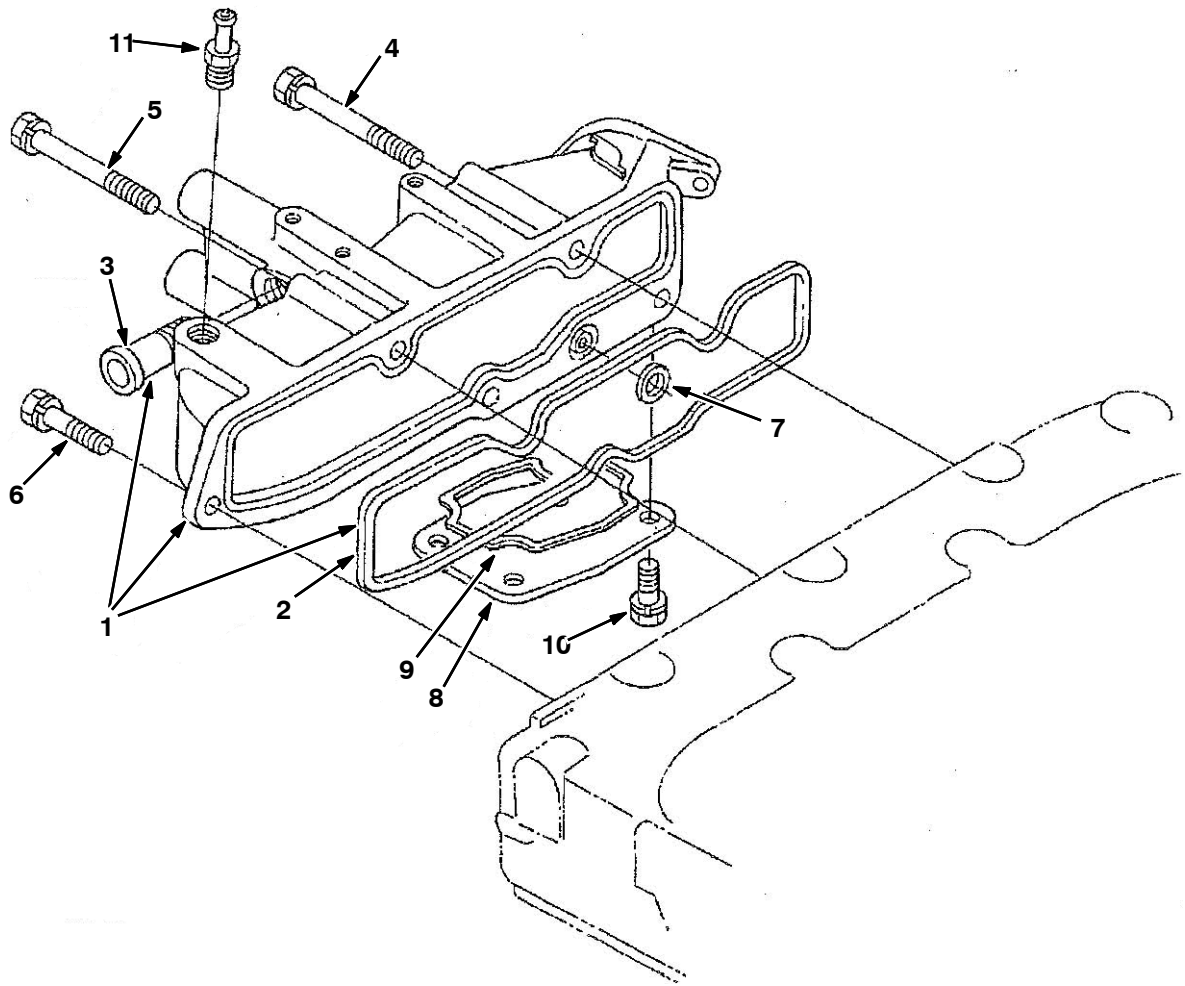


Ref.	Part No.	Description	Qty.
1	9006529	① Manifold, Exhaust [Ku]	1
2	9006530	Gasket, Manifold [Ku]	1
3	361447	Bolt, Hex [Ubs, Ku]	3
4	393599	Stud	3
5	361448	Nut, Hex, Ubs [Ku]	3
6	39512	Stud [Ku]	4
7	368312	Gasket, Muffler	1
8	39096	① Nut	4
9	39097	① Washer, Lock, Split [Ku,04512- 50080]	4
10	361623	Cover, Exhaust [Ku]	1
11	9006531	Screw, Hex [Ku]	2
12	1061594	② Manifold, Kubota [S20]	1

① Machine Serial number (000000- 002099)

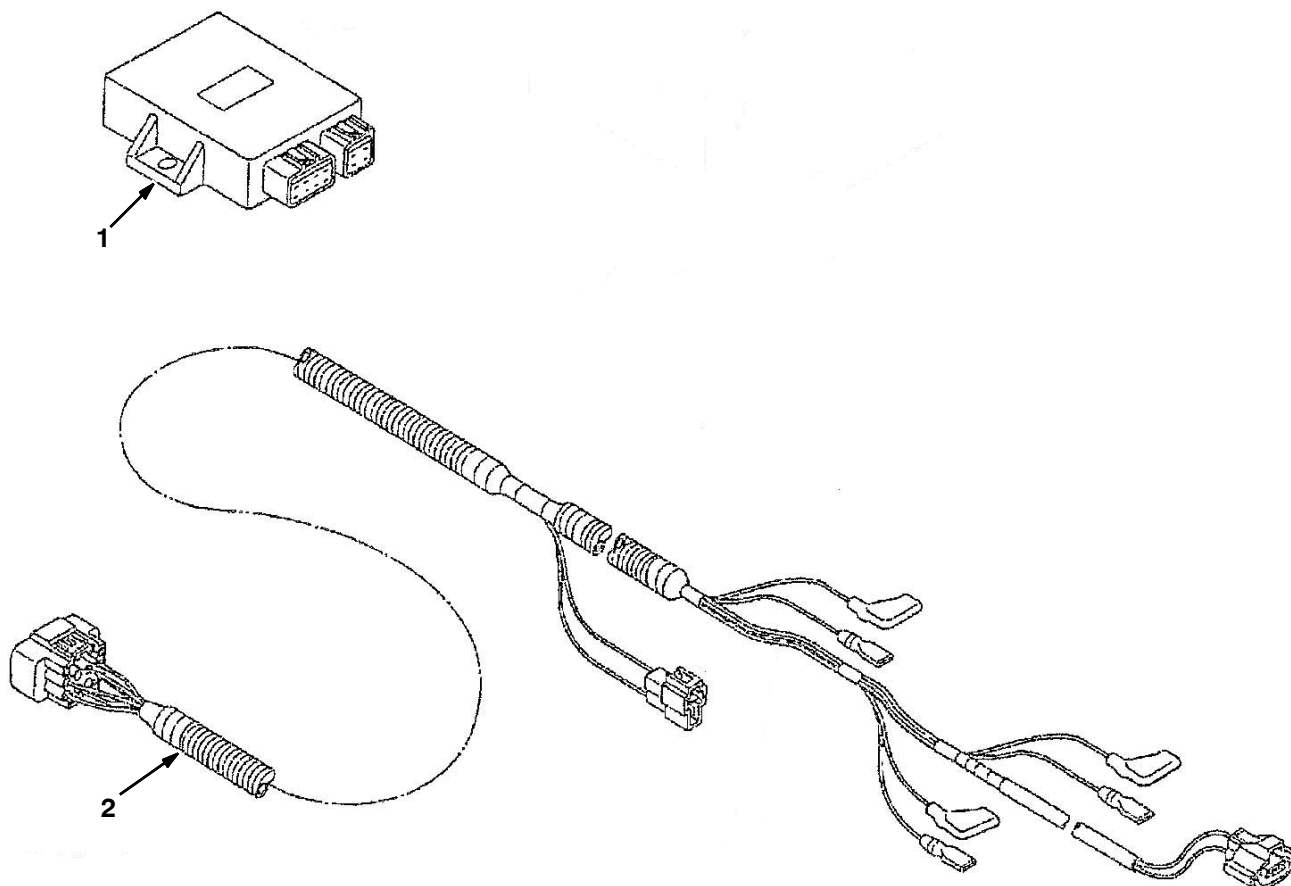
② Machine Serial number (002100-)

Fig. 26 - Inlet Manifold Group



Ref.	Part No.	Description	Qty.
1	9007360	Manifold Assy, Inlet	1
2	9007361	Gasket, Manifold	1
3	384859	Pipe, Water, Return	1
4	9005005	Screw, Hex [Ku]	2
5	72995	Screw, Hex [Ku]	1
6	72999	Screw, Hex [Ku]	2
7	361462	Gasket, Seal, Intake [Ku]	1
8	361460	Cover, Intake [Ku]	1
9	361463	Gasket, Manifold, Intake [Ku]	1
10	41973	Bolt, Hex [Ku]	4
11	9006528	Fitting, Manifold [Ku]	1

Fig. 27 - Wire Harness Group



Ref.	Part No.	Description	Qty.
1	9006532	Control, Ignition [Ku]	1
2	9006533	Harness, Eng [Ku]	1

SECTION 6

CONTENTS

PAGE

PART NUMBER TO PAGE NUMBER CROSS REFERENCE LIST 6-2
PART DESCRIPTION TO PAGE NUMBER CROSS REFERENCE LIST 6-12

CROSS REFERENCE

PART NUMBER TO PAGE NUMBER CROSS REFERENCE LIST

Part Number	Page Number	Part Number	Page Number	Part Number	Page Number
IB2561	4-9	07514	2-75	1017250	3-5, 3-9
PP163	5-23	07785	2-55, 3-23, 3-25	1020341	2-7, 2-9, 2-29, 2-45, 2-61, 3-7, 3-9
SK2561	4-9	07790	2-31, 2-33, 2-59	1021327	2-67
00500-10	2-59	07791	2-5, 2-11, 2-13, 2-19, 2-23, 2-27, 2-29, 2-31, 2-43, 2-57, 2-61, 2-69, 2-73, 3-3, 3-5, 3-11, 3-13	1023920	3-17
00500-15	4-7			1024478	2-21
00954	2-59			1027321	2-81
01684	2-19, 3-23			1027798	3-3, 3-5, 3-7, 3-9
01685	2-55, 3-25			1027800	3-3, 3-5, 3-7, 3-9
01714	2-77			1028492	2-47
01754	2-19, 2-63, 3-7, 3-9	07792	2-29, 2-61	1029280	2-65, 2-67
01762	2-51	07793	3-11, 3-13	1030985	2-19
01999	2-81	07887	3-35	1031574	2-37
02431	2-5	08013N	2-3	1031617	3-15
02603	4-8	08085	2-11, 2-13, 2-55, 3-23, 3-25	1031670	4-8
02645	4-8			1032812	2-31
02646	4-8	08165	2-39	1035826	2-53, 2-55, 3-23, 3-25
02647	4-8	08170	2-45	10362	2-59
02706	4-3	08175	2-51, 3-23	1036203	3-29
02850	2-23, 2-73, 2-75, 3-3, 3-5, 3-7, 3-9, 3-15	08179	2-57	1036892	2-17, 2-21, 2-51, 2-63, 2-69, 2-73, 3-3, 3-5, 3-7, 3-9
02863	3-36	08182	2-43, 2-45, 2-73	1036903	2-81
03026	2-27	08298	2-63	1037345	2-31
03192	2-85	08346	2-43, 2-57	1037346	2-5, 2-9, 2-11, 2-13, 2-15, 2-17, 2-19, 2-29, 2-31, 2-43, 2-47, 2-69, 2-73, 2-75, 3-3, 3-5, 3-7, 3-9, 3-15, 3-23, 3-31, 3-33
04375	2-23, 2-71	08361	2-61	1037354	2-5, 2-19, 2-23, 2-31, 2-49, 2-57, 2-65, 2-73, 2-87, 3-11, 3-13
04706	2-21	08708	2-15, 2-19, 2-21, 2-23, 2-45, 2-57, 2-59, 2-63, 2-65, 2-67, 2-69, 2-73, 2-89, 3-3, 3-5, 3-7, 3-9, 3-11, 3-13, 3-17, 3-35, 3-45	1037355	2-27, 2-43, 2-45, 2-61, 2-65, 2-67, 2-75, 3-17, 3-31
06415	2-65			1037358	2-25, 2-29, 2-35, 2-41, 2-59, 2-65, 2-67, 2-71, 3-21, 3-25
06535	2-33	08709	2-5, 2-11, 2-13, 2-23, 2-31, 2-35, 2-39, 2-43, 2-45, 2-49, 2-51, 2-53, 2-61, 2-65, 2-71, 2-73, 2-75, 2-87, 3-3, 3-5, 3-7, 3-9, 3-17, 3-19, 3-23, 3-31, 3-33	1037427	2-55
06549	2-19, 2-45, 2-73, 3-3, 3-5, 3-7, 3-9, 3-15, 3-17			1037485	2-55
06750	2-85			1038176	2-73
06920	3-7, 3-9			1038362	2-23
06927	2-23, 2-73, 3-3, 3-5, 3-7, 3-9, 3-15			1039250	2-75
06933	3-3, 3-5, 3-7, 3-9			1039735	2-45, 3-3, 3-5, 3-7, 3-9
06935	3-17			1040467	2-31, 2-33, 2-59, 3-3, 3-5, 3-7, 3-9, 3-31, 3-33
06941	3-23			1040629	3-29
06942	3-17			1041869	2-29
06943	2-23, 2-57, 2-59, 3-3, 3-5, 3-7, 3-9, 3-11, 3-13	08711	2-23, 2-25, 2-45, 2-47, 2-51, 2-61	1041941	3-29
06945	2-23	08713	2-55, 3-25	1042282	2-75
06946	2-23	08714	2-47, 3-42, 3-43	1042285	2-75
06949	2-45, 2-89	08716	3-35		
06955	2-11, 2-13, 2-23, 2-25, 3-23	09010	2-55, 3-25		
06956	2-49	09026	2-73		
06957	2-53, 2-61	09028	2-55, 2-61		
06960	2-21	09087	2-57		
06961	2-75, 2-91, 3-20, 3-27	09200	2-65, 2-67, 2-69		
06964	2-47	09228	3-15		
06968	2-45	09244	2-73		
06972	2-23, 2-25, 2-47	09252	3-15		
06977	2-51	09740	2-5, 2-51, 3-31, 3-33		
06988	2-55, 3-25	1008142	2-19, 2-63		
07259	2-61	10137	2-41		
		1014563	2-65, 2-67, 2-73		
		1017141	2-102		
		1017248	3-3, 3-7		

CROSS REFERENCE

Part Number	Page Number	Part Number	Page Number	Part Number	Page Number
1042727	3-25	1046037	3-23	1048522	3-15
1042730	3-25	1046046	2-77	1048526	3-26
1042791	2-5	1046055	2-23	1048556	3-23
1042875	2-65, 2-67	1046155	2-81	1048639	3-15
1043049	3-29	1046156	2-81	1048640	3-15
1043176	3-21	1046246	2-55	1048718	3-33
1043383	2-75	1046248	3-25	1048720	3-31, 3-33
1043490	2-65	1046302	2-27	1048732	2-65
1043815	2-75	1046406	3-11, 3-13	1048733	2-39
1043818	2-75	1046498	3-23	1048737	2-35
1043819	2-75	1046553	2-45	1048744	2-51
1043938	2-69	1046590	2-57	1048746	2-7, 2-9
1044075	3-13	1046635	2-77, 3-3, 3-5, 3-7, 3-9	1048750	2-7, 2-9
1044146	2-75			1048751	2-9
1044214	2-69	1046687	2-91, 4-14	1048785	3-33
1044254	2-65, 2-67	1047115	3-21	1048787	2-31
1044273	2-73	1047116	3-21	1048789	2-31
1044285	2-75	1047280	2-73	1048791	2-31
1044351	2-75	1047447	2-11, 2-13	1048794	2-33
1044352	2-75	1047456	3-15	1048796	2-33
1044356	1-1, 1-2, 2-75	1047480	3-11, 3-13	1048800	2-51
1044357	1-1, 1-2, 2-57	1047575	1-1, 1-2, 2-65	1048801	2-49
1044360	2-75	1047578	2-81	1048802	2-49
1044372	2-5	1047592	3-15	1048804	2-23
1044844	2-7	1047632	3-35	1048840	2-25
1044845	2-9	1047635	3-35	1048843	2-39
1044900	2-65, 2-67	1047653	3-15	1048845	2-23
1044907	2-65	1047676	2-81	1048849	3-15
1045001	2-23	1047690	3-15	1048883	3-31
1045211	2-19	1047696	3-31, 3-33	1048894	2-31
1045222	2-21	1047703	2-31	1048955	2-11, 2-13
1045229	2-11	1047704	3-11, 3-13	1048974	2-33
1045365	2-65, 2-67	1047705	3-11, 3-13	1048990	2-65, 2-67
1045404	3-17	1047706	3-15	1049102	2-65, 2-67
1045423	2-69	1047709	2-81	1049253	2-65, 2-67
1045434	2-69	1047717	2-101	1049263	2-65, 2-67
1045475	3-23	1047728	3-17	1049408	2-75
1045478	2-81	1047773	3-31, 3-33	1049409	2-75
1045493	2-65, 2-67	1047878	2-53	1049553	3-3, 3-5
1045507	2-27	1048063	2-67	1049554	3-3, 3-5
1045524	2-27	1048142	2-45	1049580	2-31, 2-87
1045563	3-23	1048161	3-17	1049687	3-17
1045567	3-15	1048166	3-17	1049702	3-15
1045569	3-15	1048198	2-11, 2-13	1049734	3-15
1045571	3-23	1048222	3-15	1049735	2-19
1045627	2-57	1048274	2-57	1049781	3-15
1045642	2-25	1048311	2-55, 3-25	1049795	2-81
1045645	2-25, 3-3, 3-5, 3-7, 3-9	1048335	2-75	1049860	2-75
1045647	3-23	1048351	2-21	1049908	1-1, 1-2, 2-59
1045676	2-23	1048353	2-75	1049937	3-13
1045707	2-81	1048383	2-25	1049938	3-13
1045764	2-29	1048408	3-21	1049982	2-75
1045768	2-101	1048422	2-87	1049987	2-11, 2-13
1045822	2-21, 4-13	1048456	2-19	1049988	2-11, 2-13
1045853	3-27, 4-15	1048468	2-23	1049990	3-11, 3-13
1045900	1-1, 1-2, 2-75	1048489	2-29	1049991	3-11, 3-13
1045923	2-19	1048501	2-29	1049992	3-11, 3-13
1045975	2-23	1048504	2-101	1050046	3-7, 3-9
1045993	2-85, 4-3	1048508	2-43	1050106	2-75
		1048519	2-67	1050162	3-15

CROSS REFERENCE

Part Number	Page Number	Part Number	Page Number	Part Number	Page Number
1050165	2-59	1052763	2-59	1057684	2-5
1050170	2-102	1052803	2-15	1057710	1-1, 1-2
1050242	2-73	1052804	2-15	1057734	2-57
1050243	2-73	1052805	2-15	1057735	2-57
1050244	2-59	1052806	3-36	1057959	2-75
1050249	2-59	1052808	3-17	1057960	2-75
1050331	2-23	1052817	2-15	1057977	2-102
1050409	2-67	1052885	2-73	1058032	2-77
1050412	2-67	1052919	2-75	1058233	4-15
1050417	2-67	1053068	3-17	1058333	2-102
1050423	2-59	1053229	2-35, 2-37	1058391	2-23
1050424	2-59	1053233	3-11, 3-13	1058574	2-31
1050425	2-59	1053291	2-75	1058594	2-31
1050426	2-59	1053318	2-65	1058662	2-65
1050490	2-39	1053321	2-75	1058717	2-11, 2-13
1050720	2-102	1053385	3-15	1058722	2-11, 2-13
1050732	2-102	1053746	2-61	1058996	2-21
1050757	2-23	1053967	2-23	1059119	2-71
1050780	4-14, 4-15	1054045	2-51	1059158	2-71
1050785	2-11, 2-13	1054106	2-63	1060278	2-71
1050888	2-19	1054256	2-55, 3-25	1060331	2-57
1050933	2-77	1054369	3-31, 3-33	1060334	2-57
1051045	2-73	1054371	3-31, 3-33	1060389	2-39
1051049	2-73	1054374	3-33	1060413	2-65, 2-67
1051115	2-73	1054391	3-31, 3-33	1060541	2-11
1051124	2-19	1054559	2-29	1060690	2-57
1051199	2-75	1054567	3-31, 3-33	1061216	2-5
1051250	2-5	1054619	2-5	1061277	3-3, 3-5, 3-7, 3-9
1051510	2-21	1054620	2-5	1061575	2-75
1051572	2-81	1054625	3-31	1061582	2-101
1051766	2-73	1054730	2-31	1061594	5-30
1051773	2-73	1054735	2-31	1061911	2-39
1051779	3-7, 3-9	1054752	2-39	1061942	2-39
1051788	3-3, 3-5	1054872	2-19, 2-63	1062022	2-39
1052067	2-23	1054873	3-23	1062212	2-39
1052113	2-45	1054874	2-19	1062463	2-23
1052114	2-45	1054875	2-19, 2-45	1062464	2-23
1052203	2-61	1055022	2-63	1062788	2-31
1052231	2-61	1055049	2-49	1062789	2-31
1052263	2-45	1055074	2-49	10632-1	2-77, 3-7, 3-9
1052435	2-19	1055164	2-31	10632-14	2-59
1052446	2-73	1055453	2-63	10632-18	2-65, 2-67
1052452	2-65	1055583	2-73	1063238	2-45
1052454	2-65	1055605	2-5	1063558	2-23
1052521	2-47	1055606	3-15	1064550	3-15
1052522	2-47	1055757	3-11, 3-13	1064551	3-15
1052523	2-47	1056045	2-11, 2-13	1064956	2-11, 2-13
1052524	2-81	1056194	2-67	1065829	2-17
1052527	2-81	1056205	2-9	1066063	2-65, 2-67
1052550	2-43	1056206	2-9	1066138	2-17
1052553	2-43	1056298	2-75	1066146	2-17
1052557	2-43	1056539	3-19	10664	2-87
1052558	2-43	1056543	3-19	1067558	2-31
1052559	2-43	1057564	2-39	1067645	2-19
1052585	2-31	1057578	2-39	1067978	3-3, 3-5, 3-7, 3-9
1052620	3-35	1057581	2-39	1068098	2-17
1052644	2-59	1057585	3-11	1068101	2-11, 2-13
1052652	2-57	10576	2-11, 2-13	1068102	2-11, 2-13
1052653	2-57	1057602	1-1, 1-2, 2-5	1068103	2-11, 2-13
1052670	3-29	1057643	2-51	1068104	2-11, 2-13

CROSS REFERENCE

Part Number	Page Number	Part Number	Page Number	Part Number	Page Number
1068105	2-11, 2-13	12459	2-61, 2-73, 2-87, 3-31, 3-33	222516	2-11, 2-13, 3-45
1068802	2-55, 3-25	12916	5-6	22290	2-21
1068806	2-51	13513	2-77	22297	2-27
1068904	2-19	13904	4-11	223198	2-11, 2-13
1070324	3-45	13907	4-3	22324	2-33
1070338	2-67	140147	2-57	22615	2-51, 2-55, 3-25
1071132	3-45	140916	3-45	23156	2-33
1071256	2-85	14131	2-31	23498	2-59
1071359	2-101	14242	2-47	23694	2-39
1071702	2-63	14595-1	2-45	23788	2-63
1071703	2-89	14601	2-77	24012-1	2-39
1071718	2-83	14605	2-45, 2-55, 3-23, 3-25	24047	2-33
1071719	2-83	150525	2-31	24265	2-75
1071720	2-83, 3-29	15331	2-55, 3-25	24339	2-47, 3-40, 3-41, 3-42, 3-43
1071728	2-83	15675	2-15, 2-17, 2-73	24576	3-3, 3-5, 3-7, 3-9
1071729	2-83	15803	3-29	24576-1	3-3, 3-5, 3-7, 3-9
1071730	2-83	16082	2-55, 3-25	24899	2-51
1071731	2-83	16213	2-77	24928-1	2-33
1071732	2-83	16411	1-2	25005	2-57
1071733	2-83	16412	1-2	25046	3-17
1071734	2-83	16695	4-5, 4-7	25049	2-77
1071735	2-83	16735	2-11, 2-67, 2-69, 2-75	25312	3-36
1071736	2-83	16931	2-77	25887	2-51
1071737	2-83	16949	2-15, 2-35	26426	2-31
1071738	2-83	17164	2-35	26496	2-33
1071739	2-83	17284	2-11, 2-13, 2-61	27048	2-33
1071740	2-83	17404	2-61	27108	2-55, 3-25
1071741	2-83	17414	2-33	27985	2-15
1071742	2-83	19065	2-57	27988	2-77
1071743	2-83	19066	2-45, 2-65, 2-67, 2-75, 3-3, 3-5, 3-7, 3-9, 3-15	28499-1	3-3, 3-5, 3-7, 3-9
1071744	2-83	19747	2-23	28835	4-5, 4-7
1071745	2-83	19760	2-33	29499	2-55, 3-25
1071748	2-83	19774	2-35	29558	3-23
1071759	3-29	21168	2-61	29584	2-53
1071764	3-29	21195	2-87	29832-5	2-41
1071776	3-29	21802	5-15	30013	2-5, 2-61, 2-65, 2-75, 3-17, 3-31, 3-33
1071938	3-29	21925	4-3	30251	2-51
1071939	3-29	21933	4-13	30252	2-51
1071940	3-29	21935	4-13	30253	2-51
1071945	2-85	21951	4-8	30255	2-51
1072081	2-63	21952	4-8	30406	2-75
1072210	2-13	21959	4-5	30533	3-19, 3-20
1073048	2-13	21960	4-5	31258	2-41
1074066	2-19	21961	4-11	312584	3-15
1074099	2-19	21978	4-9	31354	4-5, 4-7
1074442	2-23	21980	4-9	31373	4-5
1074443	2-23	21981	4-9	31375	4-7
10756	2-33	21982	4-9	314012	3-15, 3-17
10851	5-25	21983	4-9	31597	3-29
11211	2-73	21984	4-9	31598	2-81
11329	2-11, 2-13	21985	4-9	31646	2-55, 2-87, 3-25
11399	2-29	21993	4-9	32126	2-47, 3-40, 3-41, 3-42, 3-43
11442-1	2-35, 2-37	222196	2-43	32183	2-37
11631	2-51	222290	2-19, 3-23	32483	2-57, 3-3, 3-5, 3-7, 3-9, 3-45
1201894	2-13	222460	2-53, 3-23		
12138	2-61				
12317	2-65, 2-67				
12364	2-53				

CROSS REFERENCE

Part Number	Page Number	Part Number	Page Number	Part Number	Page Number
32485	2-41, 2-47, 2-77, 2-85, 2-87, 3-17	360181	2-59	360848	2-73
32486	2-15, 2-23, 2-45, 2-55, 2-73, 3-11, 3-13, 3-25	360270	2-45	360867	2-21
32490	2-11, 2-13, 2-29, 2-33, 2-39, 2-63, 2-65, 2-67, 2-73, 2-77, 2-87, 3-19, 3-23, 3-31, 3-33, 3-35	360271	2-45	360893	2-65, 2-67
32491	2-5, 2-11, 2-13, 2-15, 2-17, 2-23, 2-43, 2-45, 2-49, 2-51, 2-53, 2-65, 2-69, 2-71, 2-73, 2-75, 2-89, 3-3, 3-5, 3-7, 3-9, 3-11, 3-13, 3-23	360272	2-45	360894	2-65, 2-67
32492	2-23, 2-33, 2-53, 2-55, 2-61, 2-65, 2-67, 2-73, 2-75, 2-91, 3-25, 3-27	360273	2-45	360906	2-43
32515	2-57	360274	2-45	360932	3-20
32523	2-15	360275	2-45	360935	2-45
32525	2-59	360276	2-45	360943	2-75
32598	2-63	360283	2-7, 2-9	360961	2-53
32747	2-19	360295	3-37, 3-40	360969	2-19
32899	2-45	360296	3-38, 3-41	360973	2-11, 2-13, 2-75, 3-35, 3-36
32960	2-7, 2-9	360300	3-39, 3-43	360981	2-57
32981	2-77	360319	2-7	360991	2-87
32983	2-15	360327	1-1, 1-2, 2-65	361009	2-81
32987	2-47, 2-51	360336	1-1, 1-2, 2-73	361012	2-89, 4-11
33342	2-55, 3-25	360349	2-51	361014	2-55, 3-25, 4-5
33671	2-41	360357	2-55, 3-25	361018	2-85, 4-9
34176	4-7	360363	2-29	361021	2-51, 4-7
34329	2-47	360368	2-29	361023	1-1, 1-2, 2-87
34877	2-61	360372	2-39	361028	2-89, 4-11
34878	2-35	360386	2-61	361040	2-81
35529	2-63	360388	2-7, 2-9	361041	2-81, 3-29
35586	2-89	360410	2-53	361042	2-81
35886	2-47	360411	2-53	361044	2-81
35973	2-51	360414	2-53, 3-23	361050	2-81
360023	2-45	360417	2-53	361052	2-81
360062	2-89	360424	2-73	361069	3-39
360063	2-89	360442	2-77	361075	2-19
360064	2-61	360449	2-53	361076	2-19
360074	2-45, 3-40, 3-41, 3-42, 3-43	360451	2-53	361077	2-47, 3-39, 3-42, 3-43
360077	2-61, 3-23	360455	2-61	361081	2-47, 3-42
360081	2-55, 3-25	360460	2-13, 2-23, 2-43, 2-49	361086	2-81
360109	2-51	360465	2-19	361118	2-25
360110	2-51	360467	2-89	361144	2-19
360134	1-1, 1-2, 2-5	360492	2-51	361153	1-1, 1-2, 2-59
360136	1-1, 1-2, 2-5	36050	1-1, 2-31	361160	2-5
360137	2-5	360602	2-65, 2-67	361165	2-15
360138	2-5	360603	1-1, 1-2, 2-73	361295	2-63
360152	2-47	360606	2-73	361299	2-89
360162	3-38, 3-41	360630	3-20	361306	2-7
360163	3-37, 3-40	360704	2-11, 2-13	361327	2-59
		360711	2-21	361339	2-29, 2-39, 2-65, 3-11, 3-13, 3-15
		360721	2-23	361342	2-11
		360761	1-1, 1-2, 2-9	361343	2-11
		360763	2-9	361344	2-11, 2-13
		360768	2-61	361345	2-11, 2-13
		360769	2-47	361346	3-15
		360774	2-49	361374	5-7
		360781	2-5, 2-9	361410	5-9
		360784	1-1, 1-2, 2-7	361447	5-30
		360801	2-53, 2-55, 3-23, 3-25	361448	5-30
		360802	2-45	361449	5-3
		360819	2-41	361455	5-17
		360821	2-43	361456	5-20
		360824	2-69	361457	5-20
		360836	2-31	361458	5-9, 5-29
		360840	2-43	361460	5-31
		360844	1-1, 1-2		

CROSS REFERENCE

Part Number	Page Number	Part Number	Page Number	Part Number	Page Number
361462	5-31	361619	5-10	373226	4-8
361463	5-31	361620	5-10	373236	4-8
361468	5-13	361621	5-6	373260	4-8
361471	5-18	361623	5-30	373291	4-8
361472	5-18	361624	5-15	373292	4-8
361473	5-18	361626	5-27	373317	4-3
361474	5-19	361628	5-23	373327	4-3
361475	5-19	361631	5-29	373346	4-3
361476	5-18	361632	5-10	373347	4-3
361477	5-19	361633	5-10	373348	4-3
361479	5-18	361634	5-15	373389	4-3
361480	5-18	361636	5-3	373391	4-3
361481	5-18	361638	5-6	373393	4-3
361486	5-20	361639	5-11	373394	4-3
361498	5-17	361642	5-3	373395	4-3
361499	5-20	361643	5-3	373398	4-3
361512	5-20	361649	5-23	373402	4-3
361528	5-20	361650	5-7	373413	4-3
361530	5-5	361651	5-29	373427	4-3
361532	5-29	361652	5-3	373428	4-3
361533	5-29	361927	2-59	373429	4-3
361534	5-29	361951	2-11	373434	4-3
361539	5-15	36328	2-61	373493	4-3
361540	5-15	363502	2-7	373584	4-14, 4-15
361541	5-13	36438	3-3, 3-5, 3-7, 3-9	373586	4-14
361542	5-19	364779	2-31	373721	4-3
361552	2-31	364826	2-47	373722	4-13
361554	2-11, 2-13	364827	2-47	373723	4-13
361555	2-51	364861	2-47	373726	4-13
361556	5-9	364863	2-47	373727	4-13
361564	5-5	366025	3-3, 3-5, 3-7, 3-9	373728	4-13
361565	5-5	366057	2-35	373732	4-14, 4-15
361566	5-29	366092	2-47, 3-39, 3-42,	373733	4-14, 4-15
361567	5-29		3-43	373734	4-15
361569	5-10	366093	3-39, 3-43	373735	4-15
361570	5-13	366094	2-47, 3-42	373736	4-14, 4-15
361573	5-15	366104	2-47, 3-39, 3-42,	373737	4-15
361574	5-15		3-43	373745	4-14, 4-15
361575	5-3	366107	3-40, 3-41, 3-42,	374559	2-47, 4-8
361576	5-6		3-43	375001	3-40, 3-41, 3-42,
361578	5-13	366111	3-42		3-43
361579	5-13	366112	3-43	375019	2-57
361580	5-19	366113	3-42	375020	2-49
361581	5-18	366114	3-43	375047	1-1, 1-2, 5-23
361584	5-27	366116	3-41	37555	4-5, 4-7
361585	5-6	366119	3-40	377537	1-2
361586	5-3	367771	2-67	377538	1-2
361588	5-6	368075	5-23	377540	1-2
361589	5-29	368078	5-23	378969	2-31
361590	5-9	368089	5-25	379000	3-11, 3-13
361591	5-11	368312	2-39, 5-30	379719	2-73
361601	5-15	369704	2-5	379791	2-67
361602	5-15	369781	2-53, 3-23	382101	2-27
361610	5-9	370010	2-3	382320	3-45
361612	5-3	370025	2-3	382493	1-1, 1-2, 2-27
361614	5-25	371017	5-9	38263	4-5
361615	5-23	371930	5-5, 5-25	38315	4-8
361616	5-10	372248	5-17	384418	2-75
361617	5-10	372931	5-7	384419	2-75
361618	5-10	373217	4-8	384859	5-7, 5-25, 5-31

CROSS REFERENCE

Part Number	Page Number	Part Number	Page Number	Part Number	Page Number
384872	5-6	393645	5-28	47513	2-87
38490	4-8	39395	2-51	47566	2-27
384908	5-17	39396	2-55, 3-25	47585	2-21
384909	5-17	39512	5-30	47638	2-89
385947	2-3	39527	4-7	47655	2-87
386346	2-19	395973	2-91	47719	2-47
387281	2-81	39658	2-63, 3-7, 3-9	47720	2-33
387376	2-59	397249	3-23	47752	2-21
387387	2-59	398468	2-37	47753	2-55, 3-25
39051	5-3	39987	2-77	47801	2-47
39052	5-3, 5-6	40166	5-13, 5-18	48732	2-61
39073	5-4	40203	5-3	49034	3-11, 3-13
39088	5-3, 5-5	40231	5-18, 5-23	49145	2-45
39093	5-5	40407	5-29	49225	2-47
39094	5-5	40409	5-6, 5-18	49263	2-33
39096	5-17, 5-18, 5-20, 5-23, 5-24, 5-30	40585	2-31	49266	2-29, 2-31, 2-35, 2-47, 2-55, 2-65, 2-67, 2-77, 3-25, 3-45
39097	5-17, 5-18, 5-20, 5-23, 5-24, 5-30	40607	2-35, 2-37, 2-75	49609	2-39
39117	5-13	40678	2-31	49697	2-75
39119	5-9, 5-26	40678-1	2-33, 2-41	49826	2-65
39128	5-5, 5-25	40870-8	1-1, 1-2, 2-59	51020	5-15
39160	5-10, 5-13	41016	2-87	51109	2-45
39239	2-19	41140	2-75	51176	2-25
39277	2-5, 2-23, 2-39	41141	2-5	51194	5-15
39283	2-33, 2-47, 3-19, 3-42, 3-43	41142	2-41	51225-1	2-73
39308	2-25	41178	2-73, 3-17	51276	5-15
39311	2-39	41186	3-17	51277	5-15
39322	2-75	41305	2-55, 3-25	51285	5-3
39332	2-59	41342	2-31, 3-19	51417	4-8
39338	2-59	41346	3-11, 3-13	51529	2-49
39346	2-53	41359	2-19, 2-53, 3-23	51562	3-23
39349	2-7, 2-9, 2-23, 2-25, 2-39, 2-77	41430	2-25, 2-47, 2-53, 2-61, 2-65, 2-67, 3-19, 3-20	51564	2-23, 2-25, 2-51
39350	2-47	41561	2-59	51813	2-53
393501	5-3	41973	5-17, 5-23, 5-25, 5-31	52402	2-51, 2-85, 2-89
393504	5-5	42120-1	2-61	52424	2-35
393508	5-6	42215	2-21	52508	2-51
393509	5-6	42223	2-85	53268	2-33
393515	5-10	42227	2-87	53400-1	2-33
393524	5-15	43454	2-15	53400-4	2-33
393525	5-15	43672	3-3, 3-5, 3-7, 3-9	54009	3-35
393526	5-15	43673	3-3, 3-5, 3-7, 3-9	54345	2-31, 2-33
393528	5-15	43844	2-31, 2-35, 2-37	54390	2-45
393529	5-13, 5-15	44078	2-57	54395	2-11
393532	5-13	44868	2-85	54400	2-53, 3-23
393534	5-13	44869	2-85, 2-91	54911-32	2-29
393535	5-13	44906	2-49, 2-53	54995	2-49, 2-53
393537	5-13	44936	2-47	55034	3-7, 3-9, 3-15
393539	5-13	44951	2-33	55041	3-15
393549	5-19	44961	2-5	55586	2-51, 3-27
393566	5-22	45628	4-5, 4-7	55685	2-63, 2-89
393577	5-24	45786	2-47, 3-39, 3-42, 3-43	55779	2-51
393583	5-26	46236	2-31	55926	4-3
393584	5-26	46480	2-47	55965	3-35
393585	5-26	46481	2-87	56185	2-21
393588	5-6, 5-27	46559	2-55, 3-25	56186	2-19
393598	5-29	47313A	2-19	56690	2-21, 2-91
393599	5-30	47501	2-55, 3-25	56820	2-47, 2-63, 2-89, 2-91

CROSS REFERENCE

Part Number	Page Number	Part Number	Page Number	Part Number	Page Number
56821	2-55, 3-25	70998	5-3	762426	2-63, 2-89
56875	2-35	71026	2-17	762427	2-47, 2-73, 2-87, 2-91, 3-23
57224	2-29	71126	2-53, 3-23	762428	2-51, 3-27
57370	4-8	71244	2-59	762432	2-47, 2-63, 2-89, 2-91
57373	4-8	71367	2-45	762433	2-21, 2-91
57374	4-8	71477	3-19	762434	2-87
57375	4-8	71579	2-5	762435	2-21
57564	2-5, 2-9	71721	2-85	762438	2-51, 2-85, 2-89
57578	2-35	71988	5-3	762443	3-29
57962	2-81	71990	5-3	762445	2-85, 2-91
57988	3-27	71995	5-10	762446	2-85
58056	2-47	71999	5-5	762457	2-87
58286	2-23, 2-41	72040	2-35, 2-37	762458	2-55, 3-25
58346	2-27	72171	3-3, 3-5, 3-7, 3-9	762461	2-87
58366	2-19, 3-7, 3-9	72439	2-15	762462	2-87
59015	2-31	72728	2-77	762463	2-47
59118-6	2-59	72968	2-5, 2-67	762465	2-47
59431	2-3	72994	5-25	762465	2-47
59432	2-3	72995	5-31	762468	2-85
59542	2-61	72996	5-26	762492	2-87
59633	2-55, 3-25	72997	5-6	763045	2-29, 3-11, 3-13, 3-15, 3-17
59661	3-17	72999	5-31	763149	2-75
59672	2-43	73020	2-35	76316	2-87
59870	2-89	73411	2-77	76570	2-25, 2-43, 2-53, 3-23
59886	2-35	73482	5-7	767411	2-55, 3-25
59892	2-33	73512	5-10	767422	3-27
59965	2-73	73527	5-10	767428	2-21
61687	2-31	73535	5-24	76960	2-15
63416	2-89	73565	5-17	77097	2-47, 2-73, 2-87, 2-91, 3-23
63810	2-35, 2-37	73616	5-22	78122	2-33
64173	2-53	73634	5-7, 5-25	78785	2-77
64379	2-73	74094	4-5, 4-7	79246	2-73
64425	2-55, 3-25	74095	4-7	79729	4-8
64886	2-47	74098	4-7, 4-8	79785	4-11
64887	2-47	74099	4-7	79786	4-11
65145-1	2-85	74100	4-5, 4-7	79787	4-11
65221	1-1, 1-2, 2-87	74120	4-8	79788	4-11
65222	2-87	74174	4-7	79789	4-11
65229	4-7	74180	4-3	79792	4-11
65230	4-5	74183	4-13	79794	4-11
65441	2-77	74185	4-13	79795	4-11
65527	1-2, 2-35	74196	4-13	79796	4-11
67004	3-35	74222	4-13	79800	4-11
67366	2-61	74225	4-3	79801	4-11
67767	2-5, 2-29, 2-51, 2-73, 2-75	74226	4-3	79802	4-11
68866	2-77	74232	4-13	79805	4-11
68872	2-41	74237	4-3	79806	4-11
68873	2-41	74243	4-13	79807	4-11
69899	2-31	74250	4-5, 4-7	79808	4-11
69971	3-19	74454	2-59	79812	4-11
70006	2-87	74455	2-5, 2-23, 2-25, 2-31, 2-61, 2-73,	79814	4-11
70096	4-3		2-75, 3-17	79820	4-11
70100	4-3	75128	2-11, 2-13	83887	2-77
70622	2-21	75430	2-43	84170	2-77
70709	2-21	75934	2-77	84581	2-55, 3-25
70717	2-21	75939	2-57		
70888	5-3	75968	2-21		
70913	5-7	762178	2-33		
70974	5-17	762425	2-89		

CROSS REFERENCE

Part Number	Page Number	Part Number	Page Number	Part Number	Page Number
86029	2-55, 3-25	9006427	1-1, 1-2, 5-6	9006488	5-21
86328	2-25	9006428	5-8	9006489	5-21
86618	2-75	9006429	5-8	9006490	5-21
86659	2-45	9006431	5-9	9006492	5-21
86798	2-19	9006432	5-9	9006493	5-21
86866	2-5	9006433	5-9	9006494	5-21
87097	2-3	9006434	5-9	9006495	5-21
87099	2-3	9006435	5-10	9006496	1-1, 1-2, 5-22
87104	2-73	9006436	5-10	9006497	5-22
87172	3-21	9006437	5-15	9006498	5-22
87180	2-5	9006438	5-15	9006499	5-22
87181	1-1, 1-2, 2-5	9006439	5-15	9006500	5-22
87216	2-61	9006440	5-15	9006501	5-22
87244	2-61	9006441	5-15	9006502	5-22
87299	2-59	9006442	5-15	9006504	5-23
87308	2-15, 2-45	9006443	5-15	9006505	5-23
87333	2-3	9006444	5-15	9006506	5-23
87334	2-3	9006445	5-15	9006507	5-23
87546	2-75	9006446	5-15	9006508	5-23
87581	2-15	9006447	5-15	9006509	5-24
87631	2-51	9006448	5-9, 5-15	9006510	5-25
87689	1-1, 1-2, 2-73	9006449	5-15	9006511	5-25
87707	2-57	9006450	5-15	9006512	5-25
87838	2-59	9006451	5-9, 5-15	9006513	5-25
87940	5-3	9006452	5-15	9006514	5-25
87983	2-57	9006453	5-15	9006515	5-26
9000351	2-81	9006454	5-15	9006516	5-26
9000845	3-5, 3-9	9006455	5-15	9006517	5-26
9000846	3-3, 3-7	9006456	5-15	9006518	5-28
9000879	3-3, 3-5, 3-7, 3-9	9006457	5-15	9006519	5-28
9004339	5-4	9006458	5-11	9006520	5-28
9004997	5-4, 5-13, 5-20	9006459	5-11	9006521	5-29
9005005	5-31	9006460	5-11	9006522	5-29
9005006	5-28	9006461	5-11	9006523	5-29
9006013	3-31	9006462	5-11	9006524	5-29
9006014	3-33	9006463	5-13	9006525	5-29
9006015	3-11	9006464	5-13	9006526	5-29
9006021	3-21	9006465	5-18	9006527	5-29
9006023	3-35	9006466	5-18	9006528	5-31
9006025	3-36	9006467	5-18	9006529	5-30
9006029	3-19	9006468	5-18	9006530	5-30
9006389	1-1	9006469	5-18	9006531	5-30
9006390	1-2	9006470	5-18	9006532	5-32
9006393	1-1	9006471	5-17	9006533	5-32
9006394	1-2	9006472	5-17	9006534	1-1, 1-2
9006408	5-3	9006473	5-17	9006560	5-13, 5-18
9006409	5-3	9006474	5-17	9006561	5-23
9006410	5-4	9006475	5-17	9006620	2-37
9006411	5-4	9006476	5-19	9006698	2-101
9006412	5-5	9006477	5-20	9006712	3-46
9006413	5-5	9006478	5-20	9006713	3-46
9006414	5-6	9006479	5-20	9006714	3-46
9006416	5-6	9006480	5-20	9006715	3-46
9006417	5-6	9006481	5-20	9006716	3-46
9006418	5-6	9006482	5-20	9006717	3-46
9006419	5-7	9006483	5-20	9006718	3-46
9006420	5-7	9006484	2-35, 2-37	9006719	3-46
9006424	5-7	9006485	2-35, 2-37	9006720	3-46
9006425	5-7	9006486	2-35, 2-37	9006721	3-46
9006426	5-7	9006487	5-21	9006722	3-46

Part Number	Page Number
9006723	3-46
9006724	3-46
9006725	3-46
9006726	3-46
9006727	3-46
9006897	2-29
9006899	2-29
9006900	2-61
9006902	2-61
9006903	2-19
9006905	2-19
9006906	2-29
9006908	2-29
9006909	3-35
9006911	3-35
9007131	3-3, 3-5, 3-7, 3-9
9007360	5-31
9007361	5-31
9007372	2-61
9007374	2-61
9007380	2-37
9007390	2-57
9007868	3-7
9007869	3-5
9007870	3-9
9007871	3-3
9008152	2-39
9008154	2-39
9009111	2-37
9009383	3-46
9010085	3-45
9010086	3-45
9010740	2-11
9011421	2-63
97163	2-43

PART DESCRIPTION TO PAGE NUMBER CROSS REFERENCE LIST

A

Ace, Thrust, Motor, Hyd [En], 4-5, 4-7
 Actuator, Valve, By-Pass [En], 4-3
 Adapter Wldt, Wand, Vacuum, 3-35
 Adapter, Detent, Valve, Hyd, 4-11
 Alarm Assy, Backup, 12-48vdc
 82-102dba, 3-3, 3-5, 3-7, 3-9
 Alarm Assy, Backup, 12/48vdc, 3-3, 3-5,
 3-7, 3-9
 Alarm Kit, Backup, Flsh, Ohg, Ic, Ci, 3-7
 Alarm Kit, Backup, Flsh, Rear, Ic, Ci, 3-3
 Alarm Kit, Backup, Strb, Ohg, Ic, Ci, 3-9
 Alarm Kit, Backup, Strb, Rear, Ic, Ci, 3-5
 Alarm, Audio, 10-48vdc [Mallory], 2-19
 Alternator, 12vdc 040a [Ku], 5-23
 Angle Wldt, Bmpr, Tower, Lh, 3-21
 Angle Wldt, Bmpr, Tower, Rh, 3-21
 Angle Wldt, Mtg, Door, 3-17
 Angle Wldt, Mtg, Eng, Front [Df972], 2-25
 Angle, Baffle, 2-59
 Angle, Bottom, 3-23
 Angle, Brace, 2-29
 Angle, Cab, Rear [Drip Ledge, S20], 3-15
 Angle, Cab, Side [Drip Ledge, S20], 3-15
 Angle, Mtg, Alarm, 3-3, 3-5
 Angle, Mtg, Latch, 3-17
 Angle, Mtg, Muffler, 2-39
 Angle, Mtg, Radiator, 2-29
 Angle, Mtg, Wndw, Lh, 3-15
 Angle, Mtg, Wndw, Rh, 3-15
 Antenna, Telem, 110 In [Gprs], 3-45
 Arm Wldt, Brush, Main, Drive, 2-51
 Arm Wldt, Brush, Main, Idler, 2-51
 Arm Wldt, Lift, Brush, 2-53
 Arm Wldt, Lift, Lh, 3-25
 Arm Wldt, Lift, Rh, 2-55
 Arm, Alternator [Ku], 5-23
 Arm, Lever, Brake, 4.1 [Knott], 2-45
 Arm, Lift, Hppr, W/ Label [S20] Jp, 2-61
 Arm, Lift, Hppr, W/ Label [S20] Na, 2-61
 Arm, Rocker [Ku], 5-29
 Arm, Safety, Hppr, W/ Label, [S20], 2-61
 Arm, Safety, Hppr, W/ Label, Tj [S20],
 2-61
 Arm, Wiper, Windshield 16.0l, 3-15
 Armrest Assy, Rh, F/53845 [Grammer],
 3-19

B

Ball, 5-6, 5-13, 5-15
 Ball Case, Gov, 5-13
 Ball, Cshft [Ku], 5-10
 Ball, Valve, Hyd, 4-11
 Balljoint, .25-28 Fem, .25-28 Mal, 2-77
 Bar, Cover, 2-75
 Bar, Flat, Stil 0.19, 01.50 X 04.1l, 2-47
 Bar, Flat, Stil 0.38, 01.00 X 03.3l, 2-31
 Bar, Hex, Stil 0.75, 01.6l .50h Thru, 2-51
 Battery, Wet, 12vdc 0475cca, 2-41

Bearing Assy, 2.33d 1.25b Cup / Cone Kit,
 2-47
 Bearing Kit [Cj], 4-13
 Bearing Kit, Cshft [-.2mm, Ku], 5-15
 Bearing Kit, Cshft [-.4mm, Ku], 5-15
 Bearing Kit, Cshft, Std [Ku], 5-15
 Bearing Kit, Motor, Hyd, Repair [Cj], 4-8
 Bearing, Ball, 5-13, 5-26
 Bearing, Ball [Ku], 5-13, 5-18
 Bearing, Ball, 0.67b 1.57d 0.47w, 2-59
 Bearing, Ball, 1.18B 2.44D 0.6, 3-40,
 3-41, 3-42, 3-43
 Bearing, Ball, 1.18b 2.44d 0.63w, 2-45
 Bearing, Ball, 1.38b 2.83d 0.67w, 2-51
 Bearing, Cone, Pump, Hyd, 4-3
 Bearing, Cshft [-.2mm, Ku], 5-15
 Bearing, Cshft [-.4mm, Ku], 5-15
 Bearing, Cshft, Std [Ku], 5-9, 5-15
 Bearing, Cup, 4-3
 Bearing, Flng, 2hole, 0.50b, 2-21
 Bearing, Flng, 2hole, 0.50b [Nyl], 2-21
 Bearing, Flng, 2hole, 1.00b, 2-61
 Bearing, Main [Ku], 5-9
 Bearing, Needle Bn, 4-9
 Bearing, Rod, Connecting [-.2mm, Ku],
 5-15
 Bearing, Rod, Connecting [-.4mm, Ku],
 5-15
 Bearing, Self Align, 1.25b 2.00d, 2-61
 Bearing, Thrust, 4-5, 4-7
 Bearing, Thrust [-.2mm, Ku], 5-15
 Bearing, Thrust [+ .2mm, Ku], 5-15
 Bearing, Thrust [+ .4mm, Ku], 5-15
 Bearing, Thrust, Pump, Hyd, 4-3
 Bearing, Thrust, Std [Ku], 5-15
 Bearing, W/ Collar, 0.75b 1.85d 1.06w,
 2-51
 Bellcrank, Lift, Brush, Side, Lh, 2-53
 Bellcrank, Lift, Brush, Side, Rh, 2-53
 Bellows, Solenoid, .75-16, 1.5l, 2-57
 Belt, V, 37.5l [3v, 3vx], 1-1, 1-2, 2-59
 Belt, V, Alternator [Ku], 1-1, 1-2, 5-23
 Blade, Wiper, Windshield, 22.0l, 3-15
 Block, Adj, 2-49
 Block, Adj, Pivot, 2-53, 3-23
 Block, Guide, Hppr, 2-67
 Bolt, 5-3, 5-4, 5-6, 5-7, 5-9, 5-10, 5-13,
 5-18, 5-19, 5-22, 5-29
 Bolt, Carriage, M06 X 1.00 X 30, 2-67
 Bolt, Flng, 5-6, 5-27
 Bolt, Hex [Ku], 5-5, 5-9, 5-17, 5-23,
 5-25, 5-26, 5-31
 Bolt, Hex [Ubs, Ku], 5-30
 Bolt, Hex, Case, Brg, Main [Ku], 5-9
 Bolt, Hex, Crank [Ku], 5-23
 Bolt, Hex, Flywheel [Ku], 5-11
 Bolt, Motor, Hyd, 4-8
 Bolt, Rod, Connecting [Ku], 5-15
 Bolt, Shld 1.25d X 4.45l, 1.0-20 Drilled,
 2-47
 Bolt, Shld, .31d X 1.00, .25-20, 2-77

Bolt, Cyl Head, 5-5
 Boot, Bellows, 3.1l 4.4w 2.8h 1hole, Neo,
 2-21
 Boot, Terminal, Battery, 02-01ga, Blk,
 2-41
 Boot, Terminal, Battery, 02-01ga, Red,
 2-41
 Box Wldt, Muffler, Vacfan, 2-59
 Bracket Wldt, Fltr, 2-75
 Bracket Wldt, Latch, 2-15
 Bracket Wldt, Mtg, Bmpr, 3-21
 Bracket Wldt, Mtg, Door, 3-17
 Bracket Wldt, Mtg, Eng, Rear, 2-25, 3-3,
 3-5, 3-7, 3-9
 Bracket Wldt, Mtg, Lpg, 2-33
 Bracket Wldt, Sppt, Vaporizer, 2-35
 Bracket Wldt, Steering, Tilt, 2-21
 Bracket Wldt, Switch, Shagr, 2-57
 Bracket, Adj, Seat, 2-11
 Bracket, Adj, Strike, 2-17
 Bracket, Angle, Hppr Bottom Stiffener,
 2-65
 Bracket, Angle, Keeper, Cable, 2-53, 3-23
 Bracket, Angle, Mtg, Brg, 2-51
 Bracket, Angle, Mtg, Pin, Latch, 2-15
 Bracket, Angle, Mtg, Relief Valve, 2-33
 Bracket, Angle, Pivot, Door, Dump, Lh,
 2-73
 Bracket, Angle, Pivot, Door, Dump, Rh,
 2-73
 Bracket, Arm, Side Brush, 2-55
 Bracket, Clip, Safety, 2-77
 Bracket, Door, Indicator, 2-73
 Bracket, Hinge, Door, 2-7, 2-9
 Bracket, Inlet, Vacfan, 2-57
 Bracket, Latch, Door, 3-17
 Bracket, Latch, Keeper [Southco], 2-75
 Bracket, Latch, Mtg, Strike, 2-17
 Bracket, Motor, Drive, 2-47
 Bracket, Mtg, Bmpr, Front, Lh, 2-65, 2-67
 Bracket, Mtg, Bmpr, Front, Rh, 2-65, 2-67
 Bracket, Mtg, Cable, Propel, 2-77, 3-3,
 3-5, 3-7, 3-9
 Bracket, Mtg, Coil [Ku], 5-22
 Bracket, Mtg, Cyl, 2-73
 Bracket, Mtg, Fan, 3-15
 Bracket, Mtg, Fltr, Air, 2-27
 Bracket, Mtg, Hinge, 2-65
 Bracket, Mtg, Horn, 3-7, 3-9
 Bracket, Mtg, Mirror, 3-11, 3-13
 Bracket, Mtg, Mirror, Brush, 3-11, 3-13
 Bracket, Mtg, Mirror, Top, 3-11, 3-13
 Bracket, Mtg, Motor, Lh, 3-25
 Bracket, Mtg, Motor, Rh, 2-55
 Bracket, Mtg, Panel, Cab, 3-15
 Bracket, Mtg, Switch, 2-63
 Bracket, Mtg, Tank, Fuel, 2-31
 Bracket, Mtg, Wire, 2-31
 Bracket, Retainer, Hppr, Lip, 2-67
 Bracket, Retainer, Safety, 2-77
 Bracket, Rod, Safety, 2-69

Bracket, Sbdc, Lh, 3-33
 Bracket, Sbdc, Rh, 3-31, 3-33
 Bracket, Sidebrush, Lh, 3-25
 Bracket, Sppt, Fuelline, 2-31
 Bracket, Stop, Brush Door, 2-7, 2-9
 Bracket, Switch, Brake, 2-45
 Bracket, Switch, Reverse, 3-3, 3-5, 3-7, 3-9
 Bracket, Switch, Shaker, 2-57
 Bracket, Tray, 2-75
 Brake Assy, 2-45
 Brush-Side Swp, Flatwire, 2-3
 Brush-Side Swp, Polypropylene, 2-3
 Brush-Side Swp, Soft Nylon, 2-3
 Brush-Sweep, Natural Fiber, 2-3
 Brush-Sweep, Polyester 24Dr, 2-3
 Brush-Sweep, Polyester 8Dr, 2-3
 Brush-Sweep, Polypropylene, 2-3
 Brush-Sweep, Polypropylene and Wire, 2-3
 Brush-Sweep, Wedge, Polypropylene, 2-3
 Brush-Sweep, Window, Polypropylene, 2-3
 Bumper Kit, Corner, Rear, Ci [S20], 3-21
 Bumper Wldt, Front, 2-65, 2-67
 Bumper, Rbr, 0.90d 0.38th 0.18h, 2-11, 2-13
 Bushing, Gear, Cam [Ku] 15875-24282, 5-10
 Bushing, Pin, Piston, 5-15
 Bushing, Sleeve, 0.50b 0.59d 0.38l, Stl, 2-53
 Bushing, Sleeve, 0.75b 0.88d 0.75l, Tef, 2-73
 Bushing, Sleeve, 0.78b 0.86d 0.93l, Bnz, 2-45
 Bushing, Sleeve, 1.00b 1.13d 0.99l, Fgl, 2-63
 Bushing, Valve, Hyd En, 4-11
 Button, Cntrl, Horn, 2-21

C

Cable, 04ga 11.0l Blk .41ring /.41ring, 2-41
 Cable, Battery, 04ga 22.0l Blk .41ring, 2-41
 Cable, Battery, 04ga 38.0l Red .41ring, 2-41
 Cable, Cntrl, 46.3l, W/ Handle, 2-19
 Cable, Cntrl, Choke, 67.1l, Knob, 2-19
 Cable, Glv .13d 010.0l .52eye /.52eye, 3-21
 Cable, Glv .13d 024.2l .25eye /.25eye, 2-11, 2-13
 Cable, Push / Pull, 092.0l .25-28/.25-28, 2-77
 Cable, Ss .12d 60.25l .55eye / M6-1.0, 2-53
 Cable, Ss .12d 89.0l .55eye / M6-1.0, 3-23
 Cable, Ss .19d 008.5l .55eye / M6-1.0, 2-55, 3-25

Cam Wldt, Limiter, Spd, 2-43
 Cam, Plt, Brake [Nickel], 2-45
 Camshaft Assy [Ku], 5-10
 Camshaft Assy, Fuel, 5-13
 Cap Assy, Valve, Hyd, 4-11
 Cap Assy, Valve, Hyd [En], 4-11
 Cap, Breather, Hyd, 1-1, 1-2
 Cap, Breather, Hyd, 5.2 Ds, 2-87
 Cap, Dust, Ignition Module, 2-23
 Cap, End, Valve, Steering, 4-13
 Cap, Filler, Oil [Ku], 5-7
 Cap, Fuel, Tank, 2-31
 Cap, Hub, Dust, 2.57d 0.77l, 2-45
 Cap, Radiator, 14psi [Stant], 2-29
 Cap, Sealing, 5-3, 5-5
 Cap, Sealing, Eng [Ku], 5-5
 Cap, Sparkplug [Ku], 5-22
 Cap, Tank, Fuel, 2.3neck 2.6d W/ Chain, 2-31
 Cap, Valve [Ku] 16851-13281, 5-29
 Cap, Valve Stem, 3-39, 3-42, 3-43
 Cap, Valve, Tire, Tubeless [Schrader], 2-47
 Cap, Vinyl, 0.23id, 1.50l, 2-51
 Cap, Vinyl, 3.28d 0.45l, 2-51
 Carburetor [Ku], 5-17
 Catalytic, Converter [Ku S20], 2-39
 Chain, Sash, 35, 02.4l 04 Link, 3-3, 3-5, 3-7, 3-9
 Channel Wldt, 2-59
 Channel Wldt, Ohg, Lh, 3-11, 3-13
 Channel Wldt, Ohg, Rh, 3-11, 3-13
 Channel, Latch, 2-15
 Channel, Mtg, Lock, 2-61
 Channel, Mtg, Steering Latch, 2-21
 Channel, Recirculation Flap, 2-5
 Channel, Shield, Fuel Drip, 2-31
 Cir Clip, Govslv, 5-13
 Cir-Clip, 5-18
 Clamp, Cable, Nyl, 0.62d, Nat, 3-45
 Clamp, Cable, Stl, 0.25d X 0.56w, 1hole, 2-31
 Clamp, Cable, Stl, 0.44d X 0.62w, 1hole, 2-31
 Clamp, Cable, Stl, 0.56d X 0.38w, 1hole, 2-31
 Clamp, Cable, Stl, 0.69d X 0.62w, 1hole, 2-5, 2-29, 2-51, 2-73, 2-75
 Clamp, Cable, Stl, 0.88d X 0.62w, 1hole, 2-33, 2-41
 Clamp, Cable, Stl, 1.0x2.0x0.62w, 1hole, 2-61
 Clamp, Cable, Stl, 1.25d X 1.00w, 1hole, 2-19, 3-7, 3-9
 Clamp, Cable, Stl, 1.50d X 0.75w, 1hole, 2-25
 Clamp, Cable, Stl, 2.25d X 1.00w, 1hole, 2-87
 Clamp, Hose [Ku], 5-28
 Clamp, Hose, Heater [Ku], 5-7, 5-25
 Clamp, Hose, Stl, 0.56d X 0.25w, 2-31
 Clamp, Hose, Wormdrive, 0.25-0.62d, .31w, 2-31, 2-35, 2-37

Clamp, Hose, Wormdrive, 0.56-1.06d, .56w, 2-35, 2-37
 Clamp, Hose, Wormdrive, 0.81-1.50d, .50w, 2-29
 Clamp, Hose, Wormdrive, 1.56-2.50d, .50w, 2-27
 Clamp, Hose, Wormdrive, 3.56-4.50d, .50w, 2-59
 Clamp, Muffler, 1.38D, 2-39
 Clamp, Muffler, 1.75d, 2-39
 Clevis, Adj, 0.25pin, 0.25-28 Rh, Pl, 2-45
 Clevis, Adj, M6 Pin, M6 X 1.0 Rh, Pl, 2-53, 2-55, 3-23, 3-25
 Clip, 5-15
 Clip, Ext, 5-13
 Clip, Grip, Finger, 1.00-1.88d, White Vyl, 3-35
 Clip, Grip, Finger, 1.19-1.35d, Nk Pl, 3-3, 3-5, 3-7, 3-9
 Clip, Grip, Pipe, 0.50, Plstc, 3-15
 Clip, Grip, Pipe, 0.75, Plstc, 2-23
 Clip, Keeper, 2-75
 Clip, Spring, Prop Arm, 2-61
 Coil, Ignition [Ku], 5-22
 Collar, Crank, Front [Ku], 5-15
 Column, Steering, 09.9l 0.86d 36tooth, 2-21
 Comp Gear, Idle, 5-10
 Comp Lever, Gov, 5-18
 Cone, Valve, Hyd, 4-11
 Connector Kit, 90 Amp Kubota Alternator, 5-23
 Connector, Blade, 2 Terminal [Altv], 5-23
 Control Box Assy Kit, Replmt, Telem[Can], 3-45
 Control Box Assy Kit, Replmt, Telem[Usa], 3-45
 Control, Ignition [Ku], 5-32
 Cord, Sponge, Neo, 1.0d 36.3l, 1-1, 1-2, 2-73
 Coupling, Drive, 1.2d 1.5l 09tooth, 2-85
 Coupling, Drive, Flex, 06.0d /13tooth, 2-25
 Cover, 5-13, 5-18
 Cover Assy, Head, Cyl [Ku], 5-7
 Cover, Breather [Ku], 5-7
 Cover, Case, Brg [Ku], 5-9
 Cover, End, 4-3
 Cover, Exhaust [Ku], 5-30
 Cover, Hole, Pump, Fuel [Ku], 5-17
 Cover, Hppr, 2-69
 Cover, Intake [Ku], 5-31
 Cover, Mold, 2-75
 Cover, Plt, Floor, 2-43
 Cover, Sensor [Ku], 5-21
 Cover, Thermostat [Ku], 5-25
 Crankcase Assy [Ku], 5-3
 Crankshaft, Complt [Ku], 5-15
 Cushion, 5-20
 Cyl, Hyd, 2.5b 9.0l 01.50strk, 2500, 3-23
 Cylinder, Hyd, 2.0b 08.0l 04.00strk 2500, 2-73
 Cylinder, Hyd, 2.0b 15.0l 08.00strk 1500, 2-47

CROSS REFERENCE

Cylinder, Hyd, 3.0b 24.8l 13.50strk 3000, 2-63

D

Damper, Inlet, 2-57
Deflector, Hppr, Lh, 2-65, 2-67
Deflector, Hppr, Rh, 2-65, 2-67
Detent Kit, In [Eaton], 4-11
Diode, Ele, Plug, 2-19, 3-23
Dipstick [Ku], 5-8
Disc, 0.06, 04.39d 01.67b, 4/.30h 3.8bc, 2-51
Disc, 0.08, 04.39d 02.56b, 4/.28h 3.8bc, 2-51
Door Wldt, Brush, Lh, 2-9
Door Wldt, Brush, Rh, 2-7
Door Wldt, Cab, 3-17
Door Wldt, Dump, Hppr, 2-73
Door Wldt, Wand, Vacuum, 3-35
Door, Access, Hppr, 2-65, 2-67
Draincock Assy, 5-3
Drive Shaft, 4-8
Drive, Motor, Hyd, 4-5
Drive, Motor, Hyd [En], 4-7
Drive, Valve, Steering, 4-13
Drv Gear, Oilpmp, 5-3
Duct, Vyl, 0.74 X 1.50 .75d Max 48.0l, 3-7, 3-9, 3-15

E

Elbow, Mold, 2-75
Element, Fltr, Air, 1-1, 1-2, 2-27
Element, Fltr, Hyd Oil, 1-1, 1-2, 2-87
Element, Fltr, Oil, Spin-On [Ku], 1-1, 1-2, 5-6
End Cap, Motor, Hyd [En], 4-7
End Cap, Motor, Hyd [En], 4-5
Engine, Gas [Ku Wg972 California Only], 2-23
Engine, Gas [Kubota Df972 2007] (See Engine Breakdown), 2-23
Engine, Gas [Kubota Wg972 2011] (See Engine Breakdown), 2-23
Engine, Lpg [Ku Wg972 California Only], 2-23
Engine, Lpg [Kubota Df972] (See Engine Breakdown), 2-23
Engine, Lpg [Kubota Wg972 2011] (See Engine Breakdown), 2-23
Extinguisher Kit, Fire, Ci [S20], 3-36
Extinguisher, Fire, 2.5 Lb Dry, 3-36

F

Fan, Cooling, 11.8d, 8 Blade, 1.6d Bc, 2-23
Fan, Defroster, 12vdc, 07.3d, 3-15
Fan, Eng, 5 Blade [Kubota], 5-27
Filter Assy, Air, 2-27

Filter Assy, Hyd, 10mic 035gpm, Spin-On, 2-87
Filter, Carbon, Canister, 2-31
Filter, Cyl, 11.09d, 13.31l, 6.724 Id, 1-1, 1-2, 2-75
Filter, Fuel, In-Line [02pm/08if], 1-1, 2-31
Filter, Fuelock, 2-35
Filter, Fuelock, Lpg[Gm1.6l 2010], 2-37
Fitting, Brs, E90, Bm03/Pm02, 2-37
Fitting, Brs, E90, Em04/Pm02, 2-31
Fitting, Brs, E90, Pf04/Pm04, 2-33
Fitting, Brs, Qdc, Pf04, Lpg Fem, 2-33
Fitting, Brs, Str, Bm03/Pm02, 2-35, 2-37, 2-75
Fitting, Brs, Str, Bm04/Pm02, 2-31
Fitting, Brs, Str, If05/Pm02, 2-31
Fitting, Brs, Str, Pf04/Pf04, Bh, 2-33
Fitting, Brs, Str, Pf04/Pm04, 2-33
Fitting, Brs, Str, Pm04/Pm04, 2-37
Fitting, Brs, Tee, Pf02/Pf02/Pm02, Run, 2-31
Fitting, Brs, Tee, Pf04/Pf04/Pm04, Br, 2-33
Fitting, Draincock, .25npt, 2-29
Fitting, Flng [Ku], 5-17
Fitting, Grease, Str Pm04 .47l, 2-61
Fitting, Grease, Str Pm04 .63l, 2-47
Fitting, Hyd, E45, Fm08/Om10, 2-87
Fitting, Hyd, E45, Fm10/Om10, 2-47
Fitting, Hyd, E45, Jm08/Om10, 2-87
Fitting, Hyd, E45, Jm10/Om10, 2-47
Fitting, Hyd, E45, Pf04/Pm04, 2-33
Fitting, Hyd, E90, Fm04/Om04, 2-47, 2-73, 2-87, 2-91, 3-23
Fitting, Hyd, E90, Fm04/Om06, 2-89
Fitting, Hyd, E90, Fm06/Om06, 2-47, 2-63, 2-89, 2-91
Fitting, Hyd, E90, Fm08/Om08, 2-85
Fitting, Hyd, E90, Fm08/Om10, 2-55, 3-25
Fitting, Hyd, E90, Fm08/Om12, 2-87
Fitting, Hyd, E90, Fm12/Om12, 2-87
Fitting, Hyd, E90, Jm04/Om04, 2-47, 2-73, 2-87, 2-91, 3-23
Fitting, Hyd, E90, Jm04/Om06, 2-89
Fitting, Hyd, E90, Jm06/Om06, 2-47, 2-63, 2-89, 2-91
Fitting, Hyd, E90, Jm06/Pm04, 2-35
Fitting, Hyd, E90, Jm08/Om08, 2-85
Fitting, Hyd, E90, Jm08/Om10, 2-55, 3-25
Fitting, Hyd, E90, Jm08/Om12, 2-87
Fitting, Hyd, E90, Jm12/Om12, 2-87
Fitting, Hyd, E90, Jm12/Om12, 2-87
Fitting, Hyd, E90, Metric, Spcl, 2-23
Fitting, Hyd, E90, Spcl, 2-35, 2-37
Fitting, Hyd, Plug, Jm06, 2-23
Fitting, Hyd, Plug, Om04, 4-7, 4-8
Fitting, Hyd, Plug, Om08, 4-3
Fitting, Hyd, Plug, Om20, 4-7
Fitting, Hyd, Plug, W/ Org, Valve, 4-11
Fitting, Hyd, Rst, Fm04/Of04, .055, 2-63
Fitting, Hyd, Rst, Jf04/Jm04, .055, 2-63
Fitting, Hyd, Str, Ff06/Fm04, 2-21
Fitting, Hyd, Str, Ff08/Fm06, 2-55, 3-25

Fitting, Hyd, Str, Fm04/Om04, 2-51, 3-27
Fitting, Hyd, Str, Fm04/Om06, 2-63, 2-89
Fitting, Hyd, Str, Fm06/Fm06 Bh, 3-29
Fitting, Hyd, Str, Fm06/Om06, 2-21, 2-91
Fitting, Hyd, Str, Fm06/Om08, 2-51, 2-85
Fitting, Hyd, Str, Fm08/Om08, 2-85, 2-91
Fitting, Hyd, Str, Fm08/Om12, 2-87
Fitting, Hyd, Str, Fm10/Om10, 2-47
Fitting, Hyd, Str, Fm10/Om12, 2-85
Fitting, Hyd, Str, Fm12/Om10, 2-85
Fitting, Hyd, Str, Fm6/Om08, 2-89
Fitting, Hyd, Str, Jf06/Jm04, 2-21
Fitting, Hyd, Str, Jf08/Jm06, 2-55, 3-25
Fitting, Hyd, Str, Jm04/Om04, 2-51, 3-27
Fitting, Hyd, Str, Jm04/Om06, 2-63, 2-89
Fitting, Hyd, Str, Jm06/Jm06, 3-29
Fitting, Hyd, Str, Jm06/Om06, 2-21, 2-91
Fitting, Hyd, Str, Jm06/Om08, 2-51, 2-85, 2-89
Fitting, Hyd, Str, Jm08/Om08, 2-85, 2-91
Fitting, Hyd, Str, Jm08/Om12, 2-87
Fitting, Hyd, Str, Jm10/Om10, 2-47
Fitting, Hyd, Str, Jm10/Om12, 2-85
Fitting, Hyd, Str, Jm12/Om10, 2-85
Fitting, Hyd, Str, Om04/Qm04, 2-91
Fitting, Hyd, Str, Pf02/Pm04, 2-33
Fitting, Hyd, Str, Pm02/Pm02, 2-27
Fitting, Hyd, Str, Spcl, 2-35
Fitting, Hyd, Tee, F06/Fm06/Fm06, Br, 2-89
Fitting, Hyd, Tee, Ff04/Fm04/Fm04, Run, 3-27
Fitting, Hyd, Tee, Ff06/Fm06/Fm06, Run, 2-21
Fitting, Hyd, Tee, Fm06/Fm06/Om06, Run, 2-87
Fitting, Hyd, Tee, Jf04/Jm04/Jm04, Run, 3-27
Fitting, Hyd, Tee, Jf06/Jm06/Jm06, Br, 2-89
Fitting, Hyd, Tee, Jf06/Jm06/Jm06, Run, 2-21
Fitting, Hyd, Tee, Jm06/Jm06/Om06, Run, 2-87
Fitting, Manifold [Ku], 5-31
Fitting, Pipe, Plug [Ku], 5-6
Fitting, Plstc, Tee, Bm03/Bm03/Bm03, 2-35
Fitting, Plug, 5-5, 5-25
Fitting, Plug, Org, #6, Valve [Cec], 4-11
Fitting, Vaporizer [Ku], 2-35, 2-37
Flange Assy, Fltr, Air [Ku], 5-17
Flange, Brg, 1.9id 2h, 2-51
Flange, Carb [Ku], 5-17
Flange, Motor, Hyd [En], 4-5, 4-7
Flange, Pump, Water, 5-26
Flap, Recirculation, 1-1, 1-2, 2-5
Flap, Tire 2F 500, 3-39, 3-42, 3-43
Flap, Tire, 8.00 [Zf500], 2-47
Flasher, 12vdc [Hd552ps83], 3-3, 3-5, 3-7, 3-9
Flywheel, Complt [Ku], 5-11
Frame Wldt, Main, Gas/Lpg/Dsl, 2-5

Fuelline, .31d 05if/ Stl, 2-31
 Fuelline, .31d 05if/05if, Stl, 2-31
 Fuelock Kit, Replmt, 1-2, 2-35
 Fuse, Blade, 005a, 32vdc [Mini], 3-15
 Fuse, Blade, 015a, 32vdc [Mini], 2-19
 Fuse, Blade, 020a, 32vdc [Mini], 2-19

G

Gasket, 5-13, 5-18, 5-25
 Gasket, Cap, Breather, Hyd, 2-87
 Gasket, Carb [Ku], 5-17
 Gasket, Case, Brg [Ku], 5-9
 Gasket, Case, Gear [Ku], 5-6
 Gasket, Cover, 1-1, 1-2, 2-75
 Gasket, Cover, Cam, Fuel [Ku], 5-13
 Gasket, Cover, Valve [Ku], 5-7
 Gasket, Door, Wand, Vacuum, 3-35
 Gasket, Exhaust [Ku], 2-39
 Gasket, Fltr, Air [Ku], 5-17
 Gasket, Head, Cyl [Ku], 5-5
 Gasket, Hsg, Thermostat [Ku], 5-25
 Gasket, Manifold, 5-31
 Gasket, Manifold [Ku], 5-30
 Gasket, Manifold, Intake [Ku], 5-31
 Gasket, Muffler, 5-30
 Gasket, Pump, Fuel [Ku], 5-17
 Gasket, Pump, Water [Ku], 5-26
 Gasket, Seal, Intake [Ku], 5-31
 Gasket, Sender, Fuel, 2.7d 1.5b 5/ 2.1bc, 2-31
 Gasket, Tray, 2-75
 Gauge, Fuel, 2-19
 Gauge, Hourmeter, 05-277vdc/Vac, 2-Hole, 2-19
 Gear Assy, Idler, Cam [Ku], 5-10
 Gear Collar, Idl, 5-10
 Gear Shaft, Idle, 5-10
 Gear, Camshaft, 5-10
 Gear, Cshft [Ku], 5-15
 Gear, Gc .750 Bn, 4-9
 Gear, Pump, Injection, 5-13
 Gear, Ring, Flywheel [Ku], 5-11
 Geroler Assy, Pump, Gear, 4-8
 Gerotor Set [En], 4-7
 Gerotor, Motor, Hyd, 4-5
 Gerotor, Valve, Steering, 4-13
 Grip, Vyl, 2-57, 2-89
 Grommet, Rbr, 0.69id, F/1.0h, .25 Matl, 2-65, 2-67
 Grommet, Rbr, 1.00id, F/1.4h, .12 Matl, 2-59
 Grommet, Rbr, 1.06id, F/1.4h, .19 Matl, 2-77, 3-7, 3-9
 Grommet, Rbr, 1.62id, F/1.9h, .13 Matl, 2-31, 2-33
 Grommet, Taillight, 5.44 X 3.56, 2-5
 Gskt, Oil Pump, 5-3
 Guard, Belt [Ku], 5-23
 Guard, Brush, 2-55, 3-25
 Guard, Fan, Eng, Perf, 2-29
 Guard, String, Motor, Brush, 2-55, 3-25

H

Handle Wldt, Brush, Side, 2-53
 Handle Wldt, Door, 3-11, 3-13
 Handle Wldt, Latch, Shrd, 2-15
 Handle Wldt, Lift, Brush, 2-49
 Handle, Cntrl, Valve, 2-89
 Handle, Door, 3-17
 Harness Kit, Main, Gas/Lpg, Replmt [S20], 2-101
 Harness, Alarm / Strobe [S20], 3-3, 3-5
 Harness, Alarm / Strobe, Ohg [S20], 3-7, 3-9
 Harness, Brush, Side, Lh, 12vdc [S20], 3-26
 Harness, Ele [Extn, Telemetry], 3-45
 Harness, Eng [Ku], 5-32
 Harness, Fan, Ic [S20], 3-15
 Harness, Hppr, 12vdc [S20], 2-101
 Harness, Hppr, Cover [S20], 2-101
 Harness, Jumper [Kubota Engine], 5-17
 Harness, Main, Gas/Lpg [S20], 2-101
 Harness, Seat [S20], 3-19
 Harness, Shakr, Motor [S20], 2-101
 Harness, Wiper, Windshield, Ic [S20], 3-15
 Harness, Wire, Seat [S20], 2-13
 Head, Cyl, W/O Valve [Ku], 5-5
 Headlight, 12vdc, 35watt 2.8a, Halogen, 2-65, 2-67
 Hinge, .25pin .12 3.0w 03.0l, 4/0.28sl, 2-65, 2-67
 Hinge, .25pin .12 3.0w 04.5l, 6/0.38sl, 2-11, 2-13
 Hinge, .38pin .12 3.5w 07.8l, 4/0.38h, 2-7, 2-9
 Hinge, .38pin .12 3.5w 4.0l [Oal], 2-69
 Holder, Fork Lev, 5-19
 Hook, Eng, 5-5
 Hopper [S20], 2-65
 Hopper Wldt, Stl, 2-67
 Horn, 12vdc, DbA [Wolo], 2-5
 Hose Assy, W/2cuff, 2.0d 120l 2.0/2.0, 3-35
 Hose, Afmkt, Vacuum, 0.16id, 02ft, 2-37
 Hose, Coolant, Mold, 0.87id To 1.00id, 2-29
 Hose, Coolant, Mold, 1.00id To 1.00id, 2-29
 Hose, Flex, Vacuum, 04.0d, 010.5l 4x2end, 1-1, 1-2, 2-59
 Hose, Flex, Vacuum, 04.0d, 050.0l, 1-1, 1-2, 2-59
 Hose, Fuel, 0.19id [Evap Emission 2010], 2-31
 Hose, Fuel, 0.25id [Evap Emission 2010], 2-31
 Hose, Fuel, 0.31id [Evap Emission 07], 2-31
 Hose, Fuel, 0.31d, Ftg [Evap Emission], 2-31
 Hose, Hyd, Low06, Jf05str/Jf06str, 023.0, 2-23
 Hose, Hyd, Med04, Jf04e90/Jf04str, 064.0, 2-81

Hose, Hyd, Med04, Jf04str/Jf04str, 060.0, 2-81
 Hose, Hyd, Med04, Of04e90/Of04str, 064.0, 2-83
 Hose, Hyd, Med04, Of04str/Of04str, 060.0, 2-83
 Hose, Hyd, Med06, Jf06e45/Jf06str, 017.0, 2-81
 Hose, Hyd, Med06, Jf06e90/Jf06str, 020.0, 2-81
 Hose, Hyd, Med06, Jf06e90/Jf06str, 042.0, 2-81
 Hose, Hyd, Med06, Jf06e90/Jf06str, 044.0, 2-81
 Hose, Hyd, Med06, Jf06e90/Jf06str, 068.0, 3-29
 Hose, Hyd, Med06, Jf06e90/Jf06str, 114.0, 2-81, 3-29
 Hose, Hyd, Med06, Jf06str/Jf06str, 018.0, 2-81
 Hose, Hyd, Med06, Of06e90/Of06str, 020.0, 2-83
 Hose, Hyd, Med06, Of06e90/Of06str, 036.0, 2-83
 Hose, Hyd, Med06, Of06e90/Of06str, 042.0, 2-83
 Hose, Hyd, Med06, Of06e90/Of06str, 068.0, 3-29
 Hose, Hyd, Med06, Of06e90/Of06str, 114.0, 2-83, 3-29
 Hose, Hyd, Med06, Of06str/Of06str, 018.0, 2-83
 Hose, Hyd, Med08, Jf08e90/Jf08str, 048.0, 2-81
 Hose, Hyd, Med08, Jf08e90/Jf08str, 072.0, 2-81
 Hose, Hyd, Med08, Jf08str/Jf08str, 036.0, 2-81
 Hose, Hyd, Med08, Of08e90/Of08str, 048.0, 2-83
 Hose, Hyd, Med08, Of08e90/Of08str, 072.0, 2-83
 Hose, Hyd, Med08, Of08str/Of08str, 036.0, 2-83
 Hose, Hyd, Suc12, Jf12e45/Jf12str, 048.0, 2-81
 Hose, Hyd, Suc12, Of12e45/Of12str, 048.0, 2-83
 Hose, Hyd, Tc04, Jf04e90/Jf04str, 020.0, 2-81
 Hose, Hyd, Tc04, Jf04e90/Jf04str, 025.0, 2-81
 Hose, Hyd, Tc04, Jf04e90/Jf04str, 036.0, 2-81
 Hose, Hyd, Tc04, Jf04str/Jf04e90, 070.0, 2-81
 Hose, Hyd, Tc04, Jf04str/Jf04str, 025.0, 2-81
 Hose, Hyd, Tc04, Jf04str/Jf04str, 042.0, 3-29
 Hose, Hyd, Tc04, Jf04str/Jf04str, 048.0, 3-29

CROSS REFERENCE

- Hose, Hyd, Tc04, Jf04str/Jf04str, 058.0, 3-29
Hose, Hyd, Tc04, Of04e90/Of04str, 020.0, 2-83
Hose, Hyd, Tc04, Of04e90/Of04str, 36.0, 2-83
Hose, Hyd, Tc04, Of04str/Of04e90, 070.0, 2-83, 3-29
Hose, Hyd, Tc04, Of04str/Of04str, 048.0, 3-29
Hose, Hyd, Tc04, Of04str/Of04str, 058.0, 3-29
Hose, Hyd, Tc06, Jf06e90/Jf06str, 028.0, 2-81
Hose, Hyd, Tc06, Jf06e90/Jf06str, 029.0, 2-81
Hose, Hyd, Tc06, Jf06e90/Jf06str, 032.0, 2-81
Hose, Hyd, Tc06, Jf06e90/Jf06str, 034.0, 2-81
Hose, Hyd, Tc06, Jf06e90/Jf06str, 086.0, 3-29
Hose, Hyd, Tc06, Jf06e90/Jf06str, 120.0, 3-29
Hose, Hyd, Tc06, Jf06str/Jf06str, 032.0, 2-81
Hose, Hyd, Tc06, Jf06str/Jf06str, 039.0, 2-81
Hose, Hyd, Tc06, Of06e90/Of06str, 028.0, 2-83
Hose, Hyd, Tc06, Of06e90/Of06str, 029.0, 2-83
Hose, Hyd, Tc06, Of06e90/Of06str, 032.0, 2-83
Hose, Hyd, Tc06, Of06e90/Of06str, 086.0, 3-29
Hose, Hyd, Tc06, Of06e90/Of06str, 120.0, 3-29
Hose, Hyd, Tc06, Of06e90/Of06str, 34.0, 2-83
Hose, Hyd, Tc06, Of06str/Of06str, 032.0, 2-83
Hose, Hyd, Tc06, Of06str/Of06str, 039.0, 2-83
Hose, Hyd, Tc10, Jf10e45/Jf10str, 056.0, 2-81
Hose, Hyd, Tc10, Jf10e90/Jf10str, 074.0, 2-81
Hose, Hyd, Tc10, Of10e45/Of10str, 056.0, 2-83
Hose, Hyd, Tc10, Of10e90/Of10str, 074.0, 2-83
Hose, Intake, Air-Clnr, 2-27
Hose, Intake, Mold, 1.75id 2.00id [Epdm], 2-27
Hose, Lpg, Low08, None/None, 011.8l, 2-35, 2-37
Hose, Lpg, Med05, Pm04str/Sm04str, 018.0, 2-33
Hose, Lpg, Med05, Pm04str/Sm04str, 031.0, 2-33
Hose, Lpg, Med05, Pm04str/Sm04str, 055.0, 2-33
Hose, Lpg, Med06, Jf06str/Jf06str, 020.0, 2-35
Hose, Rbr, 0.38id 0.62od 16.0l, 2-35
Hose, Rbr, 0.38id 0.62od 24.0l, 2-37
Hose, Vacuum, 0.16id X 001.6l, 2-35
Hose, Vacuum, 0.16id X 008.0l, 2-35
Hose, Vacuum, 0.16id X 015.6l, 2-35
Hose, Vacuum, 0.16id X 060.0l, 2-73
Hose, Water [Ku], 5-25, 5-28
Housing, 4-3
Housing Assy, Flywheel [Kubota Df972], 2-25
Housing Wldt, Fan, 2-59
Housing, Brg [Cl], 4-8
Housing, End [Bn], 4-9
Housing, Fan, Rear, Impeller, 2-59
Housing, Flng, Brg, 2-59
Housing, Gear, Complt [Ku], 5-6
Housing, Motor, Hyd [En], 4-5, 4-7
Housing, Sensor [Ku], 5-21
Housing, Sppt, Drive, Rear, 2-47
Housing, Thermostat [Ku], 5-25
Housing, Valve, 4-8
Hub Assembly, 3-40, 3-41, 3-42, 3-43
Hub Assy, Wheel, 5 Bolt 4.50bc 1.5 Taper, 2-47
Hub, Adapter, Brush, 1.00b, 2-55, 3-25
Hub, Mtg, Arm, Cntrl, Pintle, 2-77
Hub, Wheel w/studs, 3-40, 3-41, 3-42, 3-43
- I**
- Impeller, 9.00d X 1.40w X 0.376b, 2-59
Indicator, Service, Fltr, Air [20h20 Dn], 2-27
Innertube, 16 X 6-8, 2-47
Insert, Plt, Cam, Pump, Hyd, 4-3
Instr, Motor, Hyd, Gear, Repair, 4-8
Instr, Motor, Hyd, Repair [En], 4-5, 4-7
Instr, Pump, Repair, 4-3
Instr, Seal Kit, Motor, [Barns&Mte], 4-9
Instr, Use&Care, Wallchart [Ts20] (ONLINE ONLY), 3-46
Instr, Valve, Hyd, Repair [En], 4-11
Instr, Valve, Steering, Repair, 4-13
Insulation, Acstc, 3-13
Insulation, Acstc, .50, 14.6 X 08.1, 2-59
Insulation, Acstc, 0.5, 13.0 X 17.8 Ntch, 2-11, 2-13
Insulation, Acstc, 0.5, 15.4 X 20.5 Ntch, 2-11, 2-13
Insulation, Acstc, 0.5, 2.3 X 11.1 Ntch, 2-11, 2-13
Insulation, Acstc, 0.5, 20.6 X 03.3, 2-59
Insulation, Acstc, 0.5, 21.3 X 03.3, 2-59
Insulation, Acstc, 0.5, 21.4 X 20.6 C-O, 2-11, 2-13
Insulation, Acstc, 0.5, 21.5 X 12.2 Ntch, 2-11
Insulation, Acstc, 0.5, 31.6 X 14.1 Ntch, 2-11, 2-13
Insulation, Acstc, 0.5, 32.0 X 21.6 Ntch, 2-11
Insulation, Acstc, 0.5, 4.5 X 11.0 Ntch, 2-11, 2-13
Insulation, Acstc, 0.5, 9.2 X 11.8 Ntch, 2-11, 2-13
Insulation, Acstc, 0.8, 06.6 X 03.0 Slit, 2-11
Insulation, Acstc, 0.8, 19.9 X 18.0 Cham, 2-19
Insulation, Acstc, 1.0, 14.3 X 07.9, 2-59
Insulation, Acstc, 2.0, 02.0 X 12.0, 2-5
Insulation, Acstc, Rnd, 0.8, 02.5d 0.5h, 2-21
Isolator, Vib, .50d, 2-25
Isolator, Vib, Exhaust, 0.3 2.7w 3.2w, 2-39
Isolator, Vib, Flng, 1.3l .5b 2/.39h, 2-23
- J**
- Joint Pipe, 5-6
- K**
- Key, 5-13, 5-15
Key Feather, 5-3
Key, Ignition, Sgl, 2-19
Key, Shaft, Pump, Hyd, 4-3
Key, Sq [Bn], 4-9
Key, Sq, 0.12 X 0.12, 1.00l, 2-59
Key, Sq, Pump, Hyd, 4-8
Key, Woodruff, 0.19 0.75 [Asa0606], 2-59
Key, Woodruff, 0.25 1.00 [Asa#0808], 4-7
Keyway, 5-10
Knob, 1.12d 3.86l M10 X 1.5, Plstc Tpr], 2-49, 2-53
Knob, Cable Lever, Throttle, 2-19
Knob, Star, 2.75d 4ear 1.1l M8x1.25, 2-75
Knob, Tee, 0.38-16, 2.5 X 1.0 1.1l, Plstc, 2-21
- L**
- Label [Cyclone, Sweepmax S20], 2-102
Label Set, Info/Hzrd [S20], 2-102
Label Set, Hi-Temp, 2-102
Label Set, Opertrnl [S20 Gas], 2-102
Label Set, Opertrnl [S20 Lpg], 2-102
Label, Model [S20], 2-102
Lamp, 12vdc, 37.5watt, Halogen, 2-65, 2-67
Lamp, Bulb, Flash, 3-3, 3-7
Lamp, Bulb, Strobe, 3-5, 3-9
Latch, 2-15, 2-69, 3-17
Latch Assy, Mtg, Tank, Lpg, W/Nut, 2-33
Latch, Door, 2-65, 2-67
Latch, Door [Southco 91-562-07], 2-75
Latch, Paddle, Rwk, 2-17
Latch, Swell, 2-7, 2-9
Lens, Amb, F/ Revl / Flasher, 3-3, 3-5, 3-7, 3-9

Lens, Blu, F/ Revl / Flasher, 3-3, 3-5, 3-7, 3-9
 Lens, Red, F/ Revl / Flasher, 3-3, 3-5, 3-7, 3-9
 Lever, Adj, Metal, 2-53, 3-23
 Lever, Adj, Plstc, 2-49
 Lever, Brush Lift, 2-49
 Lever, Cntrl, Spd [Ku], 5-20
 Lever, Govnr [Ku], 5-18
 Lever, Stop, Brake, 2-45
 Lever, Vacfan, 2-57
 Lever, Assy, Fork, 5-19
 Light, Fish, Amb, 12-48vdc, 3-3, 3-7
 Light, Panl, 14vdc, 1.1 X 1.0, 2-19
 Light, Spot, 12vdc, 21cp, Rwk 44025a, 3-3, 3-5, 3-7, 3-9
 Light, Strobe, Amb, 12-48vdc, 3-5, 3-9
 Link Assy, Valve Handle, 2-89
 Link, 0.25, 1.0w 18.06l, 1/0.6h 2/ M8, 2-43
 Link, Lift, Main Brush, 2-49
 Link, Limiter, Spd, 2-43

M

Maint Kit, 400hr [S20 Gas, Kubo], 1-1
 Maint Kit, 400hr [S20 Lpg, Kubo], 1-2
 Maint Kit, 800hr [S20 Gas, Kubo], 1-1
 Maint Kit, 800hr [S20 Lpg, Kubo], 1-2
 Manifold Assy, Inlet, 5-31
 Manifold, Exhaust [Ku], 5-30
 Manifold, Kubota [S20], 5-30
 Manual, Oprtr [S20 Dsl, Cn], 3-46
 Manual, Oprtr [S20 Dsl, En], 3-46
 Manual, Oprtr [S20 Dsl, En], 3-46
 Manual, Oprtr [S20 Dsl, Es], 3-46
 Manual, Oprtr [S20 Dsl, Fr], 3-46
 Manual, Oprtr [S20 Dsl, Jp], 3-46
 Manual, Oprtr [S20 Gas/Lpg, Cn], 3-46
 Manual, Oprtr [S20 Gas/Lpg, En], 3-46
 Manual, Oprtr [S20 Gas/Lpg, Es], 3-46
 Manual, Oprtr [S20 Gas/Lpg, Fr], 3-46
 Manual, Oprtr [S20 Gas/Lpg, Jp], 3-46
 Manual, Oprtr [S20 Gas/Lpg, Pbt], 3-46
 Manual, Parts [S20 Dsl, En], 3-46
 Manual, Parts [S20 Gas/Lpg, En], 3-46
 Manual, Service [S20 Gas/Lpg/Dsl, En], 3-46
 Mirror, Convex, 06.7 X 06.2, 3-11, 3-13
 Mirror, Flat, 05.0d, 3-11, 3-13
 Molding, Afmkt, Trim, Pvc, .18 .31, 08Ft, 3-11, 3-13
 Molding, Trim, Pvc, .00-.06 02.2l, 2-59
 Molding, Trim, Pvc, .08-.11 01.0l, 2-5
 Molding, Trim, Pvc, .08-.11 05.0l, 2-5, 2-9
 Molding, Trim, Pvc, .08-.11 39.2l, 3-35
 Motor Assy, Ele, Wiper, 12vdc 85deg, 3-15
 Motor, Ele, 12Vdc 2315Rpm0.10Hp 08.9A, 2-75
 Motor, Hyd, Gear, Int 02.2 Bi-Dir 1500, 2-51, 4-7
 Motor, Hyd, Gear, Int 02.2 Bi-Dir 1500 (See Breakdowns), 2-51

Motor, Hyd, Gear, Int 09.7 Bi-Dir 1500, 2-55, 3-25, 4-5
 Motor, Hyd, Gear, Int 09.7 Bi-Dir 1500 (See Breakdowns), 2-55, 3-25
 Motor, Hyd, Gear, Int 18.7 Bi-Dir 3000, 4-8
 Motor, Hyd, Gear, Int 18.7 Bi-Dir 3000 (See Breakdowns), 2-47
 Muffler, Exhaust, 2-39

N

Nut, 5-17, 5-18, 5-20, 5-23, 5-24, 5-30
 Nut-Wheel .50-20 60 Angle, 3-40, 3-41, 3-42, 3-43
 Nut, Adj, Mtg, Tank, Lpg, 2-33
 Nut, Hex [Ku], 5-20, 5-28
 Nut, Hex, Flexlock, .31-24, Thin, 2-59
 Nut, Hex, Flexlock, .38-24, 2-59
 Nut, Hex, Flexlock, .50-13, Thin, 2-55, 3-25
 Nut, Hex, Flng, M10 X 1.50, 2-29, 2-61
 Nut, Hex, Flng, M12 X 1.75, 3-11, 3-13
 Nut, Hex, Flng, M6 X 1.00, 2-31, 2-33, 2-59
 Nut, Hex, Flng, M8 X 1.25, 2-5, 2-11, 2-13, 2-19, 2-23, 2-27, 2-29, 2-31, 2-43, 2-57, 2-61, 2-69, 2-73, 3-3, 3-5, 3-11, 3-13
 Nut, Hex, Jam, .25-28, 2-45
 Nut, Hex, Jam, .50-13, 2-15
 Nut, Hex, Jam, .75-16, 2-47
 Nut, Hex, Jam, M20 X 1.5, 2-21
 Nut, Hex, Lock, .25-20, NI, 2-77
 Nut, Hex, Lock, .25-28, NI, 2-77
 Nut, Hex, Lock, .31-18, NI, 2-15
 Nut, Hex, Lock, .31-24, NI, 2-7, 2-9
 Nut, Hex, Lock, .75-10, NI, 2-47, 2-51
 Nut, Hex, Lock, #06-32, NI, 2-57
 Nut, Hex, Lock, #10-32, NI, 2-75
 Nut, Hex, Lock, M10 X 1.5, NI, 2-25, 2-47, 2-53, 2-61, 2-65, 2-67, 3-19, 3-20
 Nut, Hex, Lock, M10 X 1.5, NI, Ss, 2-47, 3-42, 3-43
 Nut, Hex, Lock, M12 X 1.75, NI, 2-23, 2-25, 2-45, 2-47, 2-51, 2-61
 Nut, Hex, Lock, M16 X 2.00, NI, 2-55, 3-25
 Nut, Hex, Lock, M4 X 0.70, NI, 2-23, 2-73, 2-75, 3-3, 3-5, 3-7, 3-9, 3-15
 Nut, Hex, Lock, M5 X 0.80, NI, 2-19, 2-45, 2-73, 3-3, 3-5, 3-7, 3-9, 3-15, 3-17
 Nut, Hex, Lock, M6 X 1.00, NI, 2-15, 2-19, 2-21, 2-23, 2-45, 2-57, 2-59, 2-63, 2-65, 2-67, 2-69, 2-73, 2-89, 3-3, 3-5, 3-7, 3-9, 3-11, 3-13, 3-17, 3-35, 3-45
 Nut, Hex, Lock, M8 X 1.25, NI, 2-5, 2-11, 2-13, 2-23, 2-31, 2-35, 2-39, 2-43, 2-45, 2-49, 2-51, 2-53, 2-61, 2-65, 2-71, 2-73, 2-75, 2-87, 3-3, 3-5, 3-7, 3-9, 3-17, 3-19, 3-23, 3-31, 3-33

Nut, Hex, Lock, M8 X 1.25, NI, Ss, 2-55, 3-25
 Nut, Hex, Sltld, .75-16, 2-45, 4-7
 Nut, Hex, Sltld, 1.00-20, 2-47
 Nut, Hex, Std, .25-28, 2-77
 Nut, Hex, Std, M3 X 0.50, 8, 2-19, 2-63, 3-7, 3-9
 Nut, Hex, Std, M6 X 1.00, 8, 2-19, 2-53, 3-23
 Nut, Hex, Std, M6 X 1.00, Ss, 2-55, 3-23, 3-25
 Nut, Hex, Std, M8 X 1.25, 2-39
 Nut, Hex, Stover, M8, 2-39
 Nut, Hex, Ubs [Ku], 5-30
 Nut, Lock, Rocker Arm [Ku], 5-29
 Nut, Short, 4-14, 4-15
 Nut, Sl, Pump, Hyd, Gear, 4-8
 Nut, Wheel, .50-20 X 60 Angle, 2-47
 Nut, Flange, 5-3

O

Ohg Kit, Ci [S20], 3-11
 Oil Pump Assy, 5-3
 Oil Switch, 5-3
 Oil, Hyd [El, Iso 100, 01Gal], 1-1, 1-2
 Oprtr Station, W/ Label, [S20] Jp, 2-19
 Oprtr Station, W/ Label, [S20] Na, 2-19

P

Pad, Pedal, Brake, 3.96l 2.36w 0.75, 2-45
 Paint, Airdry, Blk, 12oz, 1-2
 Paint, Airdry, Gray, 12oz [Enamel], 1-2
 Paint, Airdry, Iron Gray, 12oz [Pwdr Coat], 1-2
 Paint, Airdry, Off-White, 12oz, 1-2
 Paint, Airdry, Teal, 12oz, Solid, 1-2
 Pan, Oil, Complt [Ku], 5-4
 Pane Assy, Windshield, 3-15
 Panel Assy, Cab, 3-15
 Panel Assy, Indicator Lights, Ic, 2-19
 Panel Wldt, Frame, Cab, 3-15
 Panel Wldt, Frame, Rear, 3-15
 Panel Wldt, Top, Ohg, 3-11, 3-13
 Panel, Louver, 2-11, 2-13
 Panel, Shield, Heat, Alternator, 2-23
 Pedal Wldt, Brake, 2-45
 Pedal Wldt, Propel, Lower, 2-43
 Pedal, Propel, Upper, 2-43
 Pin Assy, Clevis, Hppr Lift, 2-63
 Pin Assy, Side Brush W/ Clip, 2-55, 3-25
 Pin, 0.75d 02.0l, 1/31h, Stl, 2-61
 Pin, 1.25d 04.0l, 1/34h, Stl, 2-61
 Pin, Clevis, 0.25d X 0.75l, 2-45, 2-55, 3-23, 3-25
 Pin, Clevis, 0.31d X 1.62l, 3-23
 Pin, Clevis, 0.37d X 0.75l, 2-55, 3-25
 Pin, Clevis, 0.37d X 1.50l, 3-23
 Pin, Clevis, 0.37d X 2.00l, 2-53
 Pin, Clevis, 0.37d X 2.12l, 2-53
 Pin, Clevis, 0.37d X 4.50l, 2-43

CROSS REFERENCE

- Pin, Clevis, 0.50d X 1.25l, 2-49
Pin, Clevis, 0.50d X 2.25l, 2-73
Pin, Clevis, 0.50d X 4.25l, 2-43
Pin, Clevis, 0.50d X 6.00l, 2-73
Pin, Cotter, .062 X 0.50, 2-45
Pin, Cotter, .094 X 1.00, 2-57
Pin, Cotter, .125 X 0.75, 2-43, 2-57
Pin, Cotter, .125 X 1.00, 2-43, 2-45, 2-73
Pin, Cotter, .125 X 1.25, 2-51, 3-23
Pin, Cotter, .187 X 1.75, 2-63
Pin, Cotter, .250 X 1.25, 2-61
Pin, Cotter, Hair, 0.31d .058 Wir, 2-11, 2-13, 2-55, 3-23, 3-25
Pin, Cotter, Hair, 0.38d .072 Wir, 2-5
Pin, Cotter, Hair, 0.38d .093 Wir, 2-49, 2-53
Pin, Cotter, Hair, 13mmd 3mm Wir, 2-43
Pin, Dowel, Pump, Hyd, 4-3
Pin, Drive [Bn], 4-9
Pin, Eng [Ku], 5-3
Pin, Hitch, .500d X 6.00l, Pl, 3-21
Pin, Pipe, 5-3
Pin, Piston [Ku], 5-15
Pin, Pump, Hyd, Gear, 4-8
Pin, Roll, .250d X 0.75l, .250/.256, 2-61
Pin, Roll, .250d X 3.50l, .250/.256, 2-51
Pin, Spring [Ku], 5-29
Pin, Spring, Start, 5-6
Pin, Straight, 5-3
Pin, Valve, Steering, 4-13
Pipe Pin, 5-3
Pipe Wldt, Exhaust, 4 Hole Flng [2011], 2-39
Pipe, Exhaust [2011], 2-39
Pipe, Water [Ku], 5-26, 5-28
Pipe, Water, Return, 5-7, 5-25, 5-31
Piston [+5mm, Ku], 5-15
Piston Assy [+5mm, Ku], 5-15
Piston Assy, Std [Ku], 5-15
Piston, Pump, Hyd, Gear, 4-8
Piston, Std [Ku], 5-15
Pivot Wldt, 3-23
Pivot Wldt, Sba, 3-23
Plain Washer, 5-6
Plate Assy, Cntrl [Ku], 5-20
Plate Wldt, 3-23
Plate Wldt, Back, Hppr, 2-73
Plate Wldt, Damper, 2-57
Plate Wldt, Lh, 2-11, 2-13
Plate Wldt, Mtg, Eng, Lh [Df972 2011], 2-23
Plate Wldt, Mtg, Eng, Rh, Gas, 2-23
Plate Wldt, Mtg, Lpg, 2-33
Plate Wldt, Perma-Filter, 2-75
Plate Wldt, Pivot, 2-65, 2-67
Plate Wldt, Pivot, Stl Hppr, 2-67
Plate Wldt, Rh, 2-11, 2-13
Plate, Backing, Brake, 2-45
Plate, Cam, 4-3
Plate, Cover, 4-3
Plate, Eng, Rear [Ku], 5-11
Plate, Flywheel [Ku], 5-11
Plate, Mtg, 2-21
Plate, Mtg, Fire Extinguisher, 3-36
Plate, Mtg, Headlight, 2-65, 2-67
Plate, Mtg, Isolator, 2-39
Plate, Mtg, Latch, 2-17
Plate, Mtg, Light, 3-3, 3-5
Plate, Mtg, Pin, 2-61
Plate, Mtg, Seatbelt, 3-20
Plate, Pump, Hyd, Gear, 4-8
Plate, Retainer, Hppr, Lip, 2-67
Plate, Seal, Hyd Drive, 2-9
Plate, Shield, Exhaust, 2-39
Plate, Shield, Starter, 2-39
Plate, Shield, Top, 3-15
Plate, Spacer, 2-67
Plate, Spacer, Exhaust, Dsl, 2-39
Plate, Spacer, Lift Arm, 2-61
Plate, Spacer, Motor, Hyd [En], 4-5, 4-7
Plate, Sppt, Bmpr, 2-65, 2-67
Plate, Sppt, Hinge, 3-17
Plate, Valve, Pump, Gear [Char Lynn], 4-8
Plate, Valve, Pump, Hyd, 4-3
Plate, Wear, 2-65
Plate, Wear, Steering Valve, 4-13
Plug, 5-3
Plug [Bn], 4-9
Plug [Ku], 5-25
Plug Assy [Cl], 4-13
Plug Assy, Hyd, 2-89, 4-11
Plug Wldt, Drive, Brush, 2-51
Plug Wldt, Idler, Brush, 2-51
Plug, Cap, Sealing [Ku], 5-3
Plug, Hole, Rnd, 0.22H .00-.06, Blk Nyl, 3-11, 3-13
Plug, Hole, Rnd, 0.25h 0.43l, Brb, Nyl, 2-65, 2-67
Plug, Hole, Rnd, 0.25h 0.8l, Brb, Nyl, 2-61
Plug, Hole, Rnd, 0.38h .3l, Plstc, 3-15
Plug, Hole, Rnd, 0.38h .4-.7, Blk Nyl, 2-5
Plug, Hole, Rnd, 0.56h .03-.12, Blk Nyl, 2-5
Plug, Hole, Rnd, 1.00h .14-.25, Blk Nyl, 3-15
Plug, Hole, Rnd, 1.37h 0.45l, Blk Nyl, 2-5
Plug, Org, 4-14
Plug, Orifice, Valve, Hyd, .047, 4-15
Plug, Pin, 5-3, 5-5
Plug, Pump, Hyd, Gear, 4-8
Plug, Screw [Ku], 5-21
Plunger, Valve, Hyd [En], 4-11
Poppet, Pump, Hyd, Gear, 4-8
Pulley, Cable, 1.5d Nyl, 2-53, 3-23
Pulley, Cable, 3.0d 1.76b, .25d Cable, 2-61, 3-23
Pump Kit, Hyd, Rotating [Cessna], 4-3
Pump, Fuel, 2-31
Pump, Hyd, Gear, Ext, 2, 00.39 1600, Cw, 4-9
Pump, Hyd, Gear, Ext, 2, 00.39 1600, Cw (See Breakdowns), 2-85
Pump, Hyd, Gear, Ext, 2, 6.2cc 5.2cc, 2-85
Pump, Hyd, Piston, Var, 1.24 2500, Cw, 4-3
Pump, Hyd, Piston, Var, 1.24 2500, Cw (See Breakdowns), 2-85
Pump, Water [Ku], 5-26
Push Rod, 5-10

R

- Race, Brg, Pump, Hyd, 4-3
Radiator, Alm, 2-29
Reainre, Spring [Ku] 14601-13361, 5-29
Relay, 12vdc, 040a, Spdt No, 2-19
Reservoir Assy, Hyd, 2-87
Retainer, Ring, Brake, 2-45
Retainer, Seal, Dust, .12 X 0.8w X 33.6l, 2-75
Retainer, Seal, Hppr Door, Side, 2-73
Retainer, Seal, Hppr, Top, 2-5
Retainer, Skirt, 3-31, 3-33
Retainer, Skirt, .12, 1.0w X 08.1l, Pl, 2-5, 2-9
Retainer, Skirt, .12, 1.0w X 10.4l, Pl, 2-5
Retainer, Skirt, .12, 1.0w X 19.3l, Pl, 2-7
Retainer, Spring, Valve [Ku], 5-29
Rim Assembly, 3-39, 3-43
Rim Assy, 4.25" Bead X .188 Stl, 3-42
Ring [Crescent, Bn], 4-9
Ring [Ku], 5-15
Ring, Balance, Pump, Hyd, Gear, 4-8
Ring, Piston [+5mm, Ku], 5-15
Ring, Piston, Std [Ku], 5-15
Ring, Retainer, Steering Valve, 4-13
Ring, Retainer, Valve, Hyd [En], 4-11
Ring, Retaining, 4-3
Ring, Retaining, Ext, 0.38d, [Klipring], 2-53
Ring, Retaining, Ext, 0.50d, Hd, 2-21
Ring, Retaining, Ext, 0.98d, [E-Ring], 2-63
Ring, Retaining, Int, 2.00d, 2-61
Ring, Retaining, Pump, Hyd, 4-3
Rivet, Plstc, .250d X 0.90, 2-5, 2-67
Rod, 2-45
Rod Assy, Connecting, 5-15
Rod Wldt, Damper, 2-57
Rod Wldt, Safety, Hppr Cover, 2-69
Rod-End, 0.25-28rh Fem 0.25b [Teflon], 2-77
Rod-End, 0.75-16rh Fem 0.75b, 2-47
Rod-End, 0.75-16rh Mal 0.75b [Teflon], 2-47
Rod, Cntrl, Govnr [Ku], 5-18
Rod, Latch, Tilt, Steering, 2-21

S

- Sbdc Kit, W/ Lh Side Brush, Ci [S20], 3-33
Sbdc Kit, W/O Lh Side Brush, Ci [S20], 3-31
Screw, 5-20
Screw, Adj, Rocker Arm [Ku], 5-29
Screw, Btn, M8 X 1.25 X 16, Ss, 2-11, 2-13, 2-61

- Screw, Cap, 4-3
 Screw, Cap, Motor, Hyd, 4-5
 Screw, Cap, Steering Valve [En], 4-7
 Screw, Csk [Ku], 5-11
 Screw, Flt, M12 X 1.75 X 80, 10.9, 2-51
 Screw, Flt, Soc, .50-13 X 2.50, Al, 2-55, 3-25
 Screw, Flt, Soc, M10 X 1.50 X 35, 10.9, 2-33
 Screw, Flt, Soc, M6 X 1.00 X 25, 10.9, 2-65
 Screw, Flt, Soc, M8 X 1.25 X 16, 10.9, 2-43
 Screw, Flt, Soc, M8 X 1.25 X 20, 18-8, Ss, 2-73
 Screw, Hex [Ku], 5-4, 5-5, 5-6, 5-7, 5-13, 5-18, 5-20, 5-21, 5-23, 5-24, 5-25, 5-26, 5-29, 5-30, 5-31
 Screw, Hex, .25-20 X 0.75, Sems, 2-15, 2-35
 Screw, Hex, .25-20 X 1.00, G5, 3-17
 Screw, Hex, .25-20 X 1.75, G5, 2-77
 Screw, Hex, .31-12 X 1.50, Fmg [Ab], 2-55, 3-25
 Screw, Hex, .31-18 X 0.62, G5, 2-11
 Screw, Hex, .31-18 X 2.25, G5, 2-15
 Screw, Hex, .38-16 X 0.75, G5, 2-87
 Screw, Hex, .38-16 X 0.75, Ni, 2-51
 Screw, Hex, .38-16 X 1.25, Ni, 2-55, 3-25
 Screw, Hex, .38-16 X 1.50, G5, 2-77
 Screw, Hex, .50-13 X 2.50, G5, 2-15
 Screw, Hex, .75-10 X 2.50, Fl, 2-51
 Screw, Hex, .75-10 X 3.00, G5, 2-47
 Screw, Hex, .75-10 X 5.00, G5, 2-47
 Screw, Hex, 06-20 X 0.50, Fmg/Ab, Pl, 2-59
 Screw, Hex, Case, Brg, Main [Ku], 5-9
 Screw, Hex, Flng [Ku], 5-21
 Screw, Hex, Flywheel [Ku], 5-11
 Screw, Hex, M10 X 1.25 X 20, 8.8, 2-23, 2-41
 Screw, Hex, M10 X 1.50 X 100, 8.8, 2-61
 Screw, Hex, M10 X 1.50 X 16, 8.8, 2-21
 Screw, Hex, M10 X 1.50 X 20, 8.8, 2-75, 2-91, 3-20, 3-27
 Screw, Hex, M10 X 1.50 X 25, 8.8, 2-33, 2-47, 3-19, 3-42, 3-43
 Screw, Hex, M10 X 1.50 X 25, Ss, 2-55, 2-61
 Screw, Hex, M10 X 1.50 X 30, 8.8, 2-85
 Screw, Hex, M10 X 1.50 X 30, Ss, 2-65, 2-67
 Screw, Hex, M10 X 1.50 X 35, 9.8, Sems, 2-25, 2-29, 2-35, 2-41, 2-59, 2-65, 2-67, 2-71, 3-21, 3-25
 Screw, Hex, M10 X 1.50 X 70, 8.8, 2-47
 Screw, Hex, M12 X 1.75 X 120, 8.8, 2-61
 Screw, Hex, M12 X 1.75 X 30, 8.8, 3-11, 3-13
 Screw, Hex, M12 X 1.75 X 35, 8.8, 2-45
 Screw, Hex, M12 X 1.75 X 60, 8.8, 2-23, 2-25, 2-47
 Screw, Hex, M16 X 2.00 X 20, 8.8, 2-51
 Screw, Hex, M16 X 2.00 X 90, 8.8, 2-55, 3-25
 Screw, Hex, M4 X 0.70 X 20, 8.8, 3-15
 Screw, Hex, M4 X 0.70 X 20, Fmg, 2-17
 Screw, Hex, M5 X 0.80 X 10, Fmg, 2-11, 2-13
 Screw, Hex, M5 X 0.80 X 16, 8.8, 2-73
 Screw, Hex, M5 X 0.80 X 20, 8.8, 3-15
 Screw, Hex, M5 X 1.0 X 16, Blk, 2-19, 2-45
 Screw, Hex, M6 X 1.00 X 10, 8.8, 3-23
 Screw, Hex, M6 X 1.00 X 12, 8.8, 2-15, 2-45
 Screw, Hex, M6 X 1.00 X 12, Fmg, 2-5, 2-23, 2-25, 2-31, 2-61, 2-73, 2-75, 3-17
 Screw, Hex, M6 X 1.00 X 16, 8.8, 3-17
 Screw, Hex, M6 X 1.00 X 16, Fmg, 2-29, 2-39, 2-65, 3-11, 3-13, 3-15
 Screw, Hex, M6 X 1.00 X 16, Ni, Ss, 2-11, 2-13
 Screw, Hex, M6 X 1.00 X 20, 8.8, 2-23, 2-57, 2-59, 3-3, 3-5, 3-7, 3-9, 3-11, 3-13
 Screw, Hex, M6 X 1.00 X 20, 9.8, Sems, 2-31, 2-33, 2-59, 3-3, 3-5, 3-7, 3-9, 3-31, 3-33
 Screw, Hex, M6 X 1.00 X 20, Fmg, 2-61, 2-73, 2-87, 3-31, 3-33
 Screw, Hex, M6 X 1.00 X 20, Ss, 3-35
 Screw, Hex, M6 X 1.00 X 25, 9.8 Sems, 2-21, 2-51, 2-63, 2-73
 Screw, Hex, M6 X 1.00 X 25, 9.8, Sems, 2-17, 2-69, 3-3, 3-5, 3-7, 3-9
 Screw, Hex, M6 X 1.00 X 30, 8.8, 2-23
 Screw, Hex, M6 X 1.00 X 30, 9.8, Sems, 2-31
 Screw, Hex, M6 X 1.00 X 50, 8.8, 2-45, 2-89
 Screw, Hex, M8 X 1.25 X 16, 8.8, 2-11, 2-67, 2-69, 2-75
 Screw, Hex, M8 X 1.25 X 16, Ni, Ss, 2-65
 Screw, Hex, M8 X 1.25 X 16, Ss, 2-15, 2-17, 2-73
 Screw, Hex, M8 X 1.25 X 20, 8.8, 2-77
 Screw, Hex, M8 X 1.25 X 20, Fmg, 2-29, 3-11, 3-13, 3-15, 3-17
 Screw, Hex, M8 X 1.25 X 20, Ss, 2-5, 2-51, 3-31, 3-33
 Screw, Hex, M8 X 1.25 X 20, Ss, Sems, 2-7, 2-9, 2-29, 2-45, 2-61, 3-7, 3-9
 Screw, Hex, M8 X 1.25 X 25, 8.8, 2-5, 2-23, 2-39
 Screw, Hex, M8 X 1.25 X 25, 9.8, Sems, 2-5, 2-9, 2-11, 2-13, 2-15, 2-17, 2-19, 2-29, 2-31, 2-43, 2-47, 2-69, 2-73, 2-75, 3-3, 3-5, 3-7, 3-9, 3-15, 3-23, 3-31, 3-33
 Screw, Hex, M8 X 1.25 X 25, Ss, 2-55, 3-25
 Screw, Hex, M8 X 1.25 X 30, 8.8, 2-25, 2-43, 2-53, 3-23
 Screw, Hex, M8 X 1.25 X 30, 9.8, Sems, 2-5, 2-19, 2-23, 2-31, 2-49, 2-57, 2-65, 2-73, 2-87, 3-11, 3-13
 Screw, Hex, M8 X 1.25 X 35, 8.8, 2-11, 2-13, 2-23, 2-25, 3-23
 Screw, Hex, M8 X 1.25 X 35, 9.8, Sems, 2-27, 2-43, 2-45, 2-61, 2-65, 2-67, 2-75, 3-17, 3-31
 Screw, Hex, M8 X 1.25 X 40, 8.8, 2-31, 3-19
 Screw, Hex, M8 X 1.25 X 40, 8.8, Fl, 2-23, 2-71
 Screw, Hex, M8 X 1.25 X 40, Ss, 2-73
 Screw, Hex, M8 X 1.25 X 45, 10.9, 2-35, 2-37
 Screw, Hex, M8 X 1.25 X 45, 8.8, 2-49
 Screw, Hex, M8 X 1.25 X 60, 8.8, 2-53, 2-61
 Screw, Hex, W/ Washer [Ku], 5-7
 Screw, Motor, Hyd [En], 4-5, 4-7
 Screw, Pan, 06- X 0.38, F/ Plstc, 2-75
 Screw, Pan, 12-16 X 0.50, F/ Plstc, 2-11, 2-13, 2-75, 3-35, 3-36
 Screw, Pan, Phl, .31-18 X 1.50, G2, 2-13
 Screw, Pan, Phl, 06-32 X 1.00, G1, 2-57
 Screw, Pan, Phl, 08-16 X 1.00, F/ Plstc, 2-65
 Screw, Pan, Phl, 08-32 X 0.38, G1, 2-57
 Screw, Pan, Phl, 10-14 X 0.75, F/ Plstc, 2-75
 Screw, Pan, Phl, 10-16 X .75, Blk, 2-19
 Screw, Pan, Phl, 10-16 X 0.75, Fmg/Ab, 3-36
 Screw, Pan, Phl, 10-32 X 0.50, G2, Blk, 2-19
 Screw, Pan, Phl, 12-16 X 0.50, F/ Plstc, 3-45
 Screw, Pan, Phl, M3 X 0.5 X 25, Blk, 2-19
 Screw, Pan, Phl, M3 X 0.50 X 10, 4.8, 3-7, 3-9
 Screw, Pan, Phl, M3 X 0.50 X 25, Blk, 2-63
 Screw, Pan, Phl, M4 X 0.70 X 10, Ss, 2-75
 Screw, Pan, Phl, M4 X 0.70 X 16, 4.8, 2-23, 2-73, 3-3, 3-5, 3-7, 3-9, 3-15
 Screw, Pan, Phl, M4 X 0.70 X 16, Ss, 2-75
 Screw, Pan, Phl, M5 X 0.80 X 12, Ss, 2-65, 2-67, 2-69
 Screw, Pan, Phl, M5 X 0.80 X 16, 4.8, 3-3, 3-5, 3-7, 3-9
 Screw, Pan, Phl, M5 X 0.80 X 25, 4.8, 3-17
 Screw, Pan, Phl, M6 X 1.0 X 40, Blk, 3-23
 Screw, Pan, Phl, M6 X 1.00 X 10, Ss, 2-61
 Screw, Pan, Phl, M6 X 1.00 X 40, Ss, 2-19
 Screw, Pan, Phl, M8 X 1.25 X 25, Ss, 2-67
 Screw, Set, Soc, .25-20 X 0.75, Al, 2-59
 Screw, Set, Soc, .31-18 X 0.50, Al, 2-59
 Screw, Set, Soc, 10-24 X 0.38, Al, 2-75
 Screw, Soc [Ku], 5-21
 Screw, Soc, .31-24 X 0.75, Al, 2-77
 Screw, Soc, M8 X 1.25 X 16, 12.9, 2-39
 Screw, Soc, M8 X 1.25 X 25, 12.9, 2-25

CROSS REFERENCE

- Screw, Valve, Steering, 4-13
Screw, W / Washer, 5-22
Seal, 1-1, 1-2, 2-5, 2-7, 2-9, 2-73
Seal Assy, Mechanical, 5-26
Seal Assy, Pre-Filter, 2-75
Seal Kit [CI], 4-5, 4-7
Seal Kit, Cartridge, 4-14, 4-15
Seal Kit, Cntrl, Steering [CI], 4-13
Seal Kit, Cyl, Hyd, 2-63
Seal Kit, Hyd, Motor, 4-9
Seal Kit, Motor [CI], 2-51, 2-55, 3-25
Seal Kit, Motor, Hyd, Gear, 4-8
Seal Kit, Pump, Hyd, 4-3
Seal Kit, Valve, Hyd, 4-14, 4-15
Seal Kit, Valve, Hyd [En], 4-11
Seal, .19, .25w 39.2l, Adh, 3-15
Seal, Afmkt, Bulb, 90, 1.33 01ft, 2-11, 2-13
Seal, Afmkt, Bulb, Str, .75d F/07ga 08ft, 3-15
Seal, Afmkt, Bulb, Str, 0.58D 08Ft, 3-17
Seal, Breather [Ku], 5-7
Seal, Bulb, 90, 0.50d .06-.09grip 022.5l, 2-11, 2-13
Seal, Bulb, Str, 0.50d .13grip 009.4l, 2-7
Seal, Cover, 2-61
Seal, Dipstick [Ku], 5-8
Seal, Door, Access, 2-65, 2-67
Seal, Door, Dump, Side, 1-1, 1-2
Seal, Dust, 2-9
Seal, Firewall, 2-5
Seal, Foam, 2-75
Seal, Grease Cav, 2-47
Seal, Hppr, .06 12.5w 36.6l Neo, 1-1, 1-2, 2-5
Seal, Inlet, Vacuum, 1-1, 1-2, 2-57
Seal, Lip [76038ddur], 3-15
Seal, Oil, Front [Ku], 5-6
Seal, Oil, Rear [Ku], 5-9, 5-29
Seal, Org, 5-4, 5-7
Seal, Org, .069 X 03.06id, 2-85
Seal, Rbr, .13 6.34w 36.3l, 12/.28h, Red, 1-1, 1-2, 2-73
Seal, Rbr, 0.06, Tube, Vacuum Wand, 3-35
Seal, Rbr, Clsd, 0.13, Door, Dump, Side, 2-73
Seal, Rbr, Clsd, 0.38, Instmt Panl, 2-19
Seal, Rbr, Damper, 0.06th, 04.1d, 2-57
Seal, Rbr, Open, 0.38, 1.25w 25.5l, 2-7
Seal, Top, Lh, Sbdc, 3-31, 3-33
Seal, Top, Sbdc, 3-31, 3-33
Seal, Ure, 0.50, 0.75w 04.0l Adh, 2-59
Seal, Valve [Ku], 5-29
Seal, Oil, 5-18
Sealing Cap, 5-3
Seat Kit, Dlx, Ci [S20], 3-19
Seat Kit, Replacement [S20], 2-11
Seat, Std [Milsco], 2-13
Seat, Suspension [Grammer Gs12], 3-19
Seatbelt Kit, Ci [6400], 3-20
Seatbelt, 60.0l, 3-19, 3-20
Send-Unit, 90 Ohm, 2-31
Send-Unit, Fltr, Hyd, 2-87
Send-Unit, Fuel, 90 Ohm, 2-31
Sensor [Ku], 5-21
Sensor, Thermal, 140deg, No, Spst, 2-75
Shaft Assy, Brg, 2-59
Shaft Wldt, Brush, 2-45
Shaft, Arm, Rocker [Ku], 5-29
Shaft, Drive [Bn], 4-9
Shaft, Drive, Pump, Hyd [Cessna], 4-3
Shaft, Idler, Plug, Brush, 2-51
Shaft, Impeller, 2-59
Shaft, Lever, Govnr [Ku], 5-19
Shaft, Output, Motor, Hyd [En], 4-5, 4-7
Shaft, Fork Levr, 5-19
Sheave, 01grv, 02.6pd 0.63b [3v], 2-59
Sheave, Cshft [Ku], 5-23
Sheave, Drive, Gas/Lpg [S20], 2-23
Sheave, Pump, Water [Ku], 5-27
Sheet, Rbr, 3.00l Guard, Hose, 2-33
Shield, Battery, 2-25
Shield, Fltr, Oil, 2-23
Shield, Heat, Gas/Lpg, W/ Label, Na[S20], 2-39
Shield, Heat, Gas/Lpg, W/ Label, Tj[S20], 2-39
Shield, Heat, Starter [2011], 2-39
Shim Kit, 4-3
Shim Kit, Pin, Crank, Std, 5-15
Shock Absorber, 2.3 Strk, 2-77
Shoe, Brake, 180 X 30mm, 2-45
Shroud, Fan, Radiator, W/ Label [S20] Jp, 2-29
Shroud, Fan, Radiator, W/ Label [S20] Na, 2-29
Shroud, Rear [S20], 2-11, 2-13
Shroud, Rear, Trimmed, 2-11
Skirt, Brush, Side, Sbdc, 3-31, 3-33
Skirt, Brush, Side, Sbdc [W/O Lhsb], 3-31
Skirt, Hppr, Lip, 2-67
Skirt, Neo, .12 2ply, Dust-Cntrl, 1-1, 1-2, 2-65
Skirt, Neo, .12, 05.20w 36.10l, 06/ Sl, 1-1, 1-2, 2-65
Skirt, Neo, .12, 08.00W 29.50L, 06/ SL, 2-67
Skirt, Neo, .12, 12.26w 14.50l, 07/ Sl, 1-1, 1-2, 2-5
Skirt, Sbdc, Sba, Lh, 3-33
Sleeve [Ku], 5-20
Sleeve, 0.32b 0.50d 0.3l, 2cham, Ss, 2-53, 2-55, 3-23, 3-25
Sleeve, Dashpo, Pump, Hyd, Gear, 4-8
Sleeve, Nyl, 1.63id 25.0l, 2-55, 2-87, 3-25
Sleeve, Nyl, 1.81id 20.0l, 2-47
Sleeve, Nyl, 2.38id 16.0l, 2-29
Sleeve, P/M, 0.25b 0.44d 0.2l, PI, 2-57
Sleeve, P/M, 0.32b 0.50d 0.3l [430ss], 2-11, 2-13, 3-45
Sleeve, P/M, 0.32b 0.50d 0.5l [430ss], 2-53, 3-23
Sleeve, P/M, 0.34b 0.63d 0.4l, Ss / Oil, 2-13, 2-23, 2-43, 2-49
Sleeve, P/M, 1.25b 1.75d 0.7l [430ss], 2-61
Sleeve, Vyl, Flex, .39id 03.0l, 3-3, 3-5, 3-7, 3-9
Sleeve, Gov, 5-13
Slinger, Oil, Eng [Ku], 5-15
Snap Ring, 5-10
Solenoid Assy, Pull, 12vdc, 2-57
Solenoid Kit, 12vdc, Replmt [Thrsentry], 2-57
Solenoid, #10, 12vdc, 4-14, 4-15
Solenoid, #8, 12vdc, 4-15
Solenoid, Cntrl, 4-14, 4-15
Solenoid, Gas, 5-17
Solenoid, Lpg, 5-17
Solenoid, Starter [Ku], 5-24
Spacer, 2-43
Spacer, 0.56b 0.88d 1.82l, PI, 2-73
Spacer, Fan [Df972], 2-23
Spacer, Fltr, 2-75
Spacer, Valve, Hyd, 4-11
Sparkplug [Ku], 1-1, 1-2, 5-22
Spindle, Adjustment, 2-11, 2-13
Spring, 4-8, 5-6, 5-20
Spring [En], 4-11
Spring Assy, Centering 10/15 Lb Preload], 2-77
Spring Assy, Govnr [Ku], 5-20
Spring Kit, Scu [CI], 4-13
Spring, Arm, Rocker [Ku], 5-29
Spring, Cmpr, 0.72od .06wir 02.3l, 2-21
Spring, Dsl, 1.00od 0.50id 1.25l, 2-55, 3-25
Spring, Dsl, 1.25od 0.62id 1.80l, 2-55, 3-25
Spring, Ext [Ku], 5-18
Spring, Extn, 0.38od 0.05wir 01.0l, 3-3, 3-5, 3-7, 3-9
Spring, Extn, 0.38od 0.05wir 02.5l, 2-89
Spring, Extn, 0.75od 0.11wir 04.5l, 2-55, 3-25
Spring, Extn, 0.96od 0.05wir 01.4l, 2-57
Spring, Flat, .06, 0.75w X 01.8l, 2/.28h, 2-15
Spring, Pump, Hyd, Gear, 4-8
Spring, Tens, 2-73
Spring, Tors, 0.81id .12wir 08.0coil, 2-15
Spring, Tors, 1.03id .11wir 03.0coil, 2-53
Spring, Valve [Ku], 5-29
Spring, Valve, Hyd, 4-11
Spring, Valve, Hyd [En], 4-11
Spring, Wir, 0.08d, Parking Brake, 2-45
Spring, Wir, 0.25d, Brake Return, 2-45
Spring, Gov Lvr, 5-18
Starter, 12vdc [Kubo], 5-24
Stay, Choke, 5-20
Steer-Control, Hyd05, 06.1 914, 4-13
Steer-Control, Hyd05, 06.1 914 (See Breakdowns), 2-21
Stop, Lever, Cntrl, Spd [Ku], 5-20
Stopper, Camshft, 5-10
Stopper, Fuelc/S, 5-13

Strainer, Hyd, 010gpm 100mesh, 1-1, 1-2, 2-87
 Strainrelief, 2-75
 Strap Wldt, Tank, 2-31, 2-87
 Strap, Rbr, 2-75
 Strap, Rbr, Tie-Down, 19.0l, 2/ Hook, 2-41
 Strap, Static, W/Grommet, .19 1.1w 25.0l, 2-5
 Strip Wldt, Seal, Door, 2-73
 Strip, Retainer, 2-73
 Strip, Retainer, Dump Door, 2-73
 Strip, Retainer, Flap, 2-5
 Strip, Retainer, Hppr Lip, 2-65
 Strip, Retainer, Seal, 2-9
 Stud, 5-28, 5-30
 Stud [Ku], 5-20, 5-30
 Stud, Carb [Ku], 5-17
 Stud, M8 X 1.25 [55.0], 2-75
 Stud, Spcl, 2-51
 Stud, Wheel .50-20 X 1.50, 3-40, 3-41, 3-42, 3-43
 Stud, Wheel, .50-20 X 1.50l, 0.370th, 2-47
 Support Wldt, Rh, Sbdc, 3-31, 3-33
 Support Wldt, Lh, Sbdc, 3-33
 Support, Hppr, Lip, Back, 2-71
 Support, Hppr, Lip, Front, 2-71
 Support, Hppr, Lip, Side, 2-71
 Supt, Gov L Shft, 5-18
 Switch, Ignition [Merit GmbH], 2-19
 Switch, Press, 0070psi Spst Nc 12vdc 08a, 2-33
 Switch, Press, Adj [4-16 In Wtr], 2-73
 Switch, Pull, No, 3-3, 3-5, 3-7, 3-9
 Switch, Push, Spst, No, 2-57
 Switch, Rocker, 3 Position, 2-19
 Switch, Seat, 3-19
 Switch, Seat, No [Delta 6440-04], 2-11, 2-13
 Switch, Snap, 15a No, 2-45, 3-3, 3-5, 3-7, 3-9
 Switch, Snap, 15a No, Rlr, 2-73
 Switch, Snap, 25a Spdt, 2-19, 2-63
 Switch, Temp, Sealed, Nc, 2-75
 Switch, Thermostat, Water, 2-23

T

Taillight, Led, 13.5v, 5.3 X 3.4, 2-5
 Tank, Fuel, 06.9gal, 10.53w 18.6hi 10.0l, 2-31
 Tank, Fuel, 07.3gal, 10.53w 18.6hi 11.0l, 2-31
 Tank, Lpg, 33lb, W/ Gauge [Empty, Liq], 2-33
 Tape, Hook, 1.0w [Velcro], 3-15, 3-17
 Tappet, 5-10
 Terminal, Alternator [Ku], 5-23
 Terminal, Qf, .25, 5-23
 Thermostat, 160deg, 1.7d [Ku], 5-25
 Tie, Cable, Nyl, 07.3l .19w 1.8 Max D, 2-29, 2-31, 2-35, 2-47, 2-55, 2-65, 2-67, 2-77, 3-25, 3-45

Tie, Cable, Nyl, 11.4l .19w 3.0 Max D, 2-33
 Tie, Cable, Nyl, 14.5l .30w 4.0 Max D, 2-5, 2-33
 Tie, Wire [Ku], 5-22
 Timer, 12vdc, 10a [Left Hand Side Brush], 3-23
 Timer, 12vdc, 10a, 2s [Ce Seat Switch], 2-19
 Tire, 3-42
 Tire and Wheel Assembly 16X6 RS Radial, 3-39
 Tire and Wheel Assembly, 16x6 RS Radial, 3-43
 Tire and Wheel Assembly, Non-Marking Solid, 3-37
 Tire and Wheel Assy 4.00-8 Solid, 3-38
 Tire Assy, Idler, Swpr, Blk, 16.0x3.5, 2-45
 Tire Assy, Pneu, 150/75-08 4.5bc 5bolt, 2-47
 Tire Assy, Solid, 04.0 X 3.8 4.5bc 5bolt, 3-40, 3-41
 Tire, 150/75R8 Pneumatic, 3-39, 3-43
 Tire, 4.00 X 8-3.75 Sol. Non-Mark, 3-40
 Tire, 4.00X8-3.75 Sol. Non-Mark, 3-37
 Tire, 4.00X8-3.75 Solid, 3-38
 Tire, Pneu, 16x6.0x08 [With Tube & Flap], 2-47
 Tire, Pneu, 16x6.0x08, 10ply [1c12], 2-47
 Tire, Solid, 4.0 X 8.0 X 3.8, 3-41
 Tire, Tube & Flap Assy, 3-39, 3-42, 3-43
 Tire/wheel Assy, 16x6-8 10pr, 3-42
 Track, Slide, Seat Adj, 12.5l, 2-11, 2-13
 Track, Slide, Seat Adj, 12.5l, W/ Latch, 2-11, 2-13
 Tray Wldt, Dust [Cyclone], 2-75
 Tray, Dust, Shakr, 2-75
 Tray, Mold, 2-75
 Tread, Non-Skid, 01.4w 12.0l, 2-19
 Tread, Non-Skid, 02.2w 15.5l, 2-43
 Tread, Non-Skid, 06.5w 20.6l, 2-43
 Tube Assy, Breather [Ku], 5-7
 Tube Wldt, Exhaust, 4 Hole Flng, 2-39
 Tube Wldt, Torque, 2-51
 Tube, 0.26id 0.38od 00.3l, Stl, Pl, 2-77
 Tube, 0.33id 0.51od 00.8l, Stl, Pl, 3-23
 Tube, 0.34id 0.62od 00.2l, Stl, 2-45
 Tube, 0.38id 0.75od 00.9l, Stl, 2-73
 Tube, 0.38id 0.81od 00.4l, Stl, 2-59
 Tube, 0.42id 0.62od 01.0l, Stl, Pl, 2-53
 Tube, Cushion, Spd Cntrl [Ku], 5-19
 Tube, Intake, 2.0d 02.0l, Flng, 2-27
 Tube, Pickup, Oil [Sump, Ku], 5-4
 Tube, Spacer, Alternator [Ku], 5-23
 Tube, Tire-Inner 16X6-8, 3-39, 3-42, 3-43
 Tube, Transition, Valve, Ic, 2-57

V

Valve Assy, Relief, 4-13
 Valve Guide, Ex, 5-5
 Valve Guide, In, 5-5

Valve Seat, 5-6
 Valve, Drive, Pump, Hyd, Gear, 4-8
 Valve, Exhaust [Ku], 5-29
 Valve, Hyd, Mnl, 2spool 0100psi 10gpm, 4-11
 Valve, Hyd, Mnl, 2spool 0100psi 10gpm (See Breakdowns), 2-89
 Valve, Hyd, Solenoid, 12vdc, 3-27, 4-14, 4-15
 Valve, Hyd, Solenoid, 12vdc (See Breakdowns), 2-91
 Valve, Intake [Ku], 5-29
 Valve, Lock Off, 2-37
 Valve, Lpg, Press Relief [Rego], 2-33
 Valve, Pump, Gear Hyd [Char Lynn], 4-8
 Valve, Relief, 4-14, 4-15
 Valve, Relief, 2000psi, 4-3
 Valve, Relief, 2500psi, 4-3
 Vaporizer Assy [Ku], 2-35, 2-37
 Video, Oprtr, Dvd [S20 En, Es, Fr], 3-46

W

Wand Kit, Vacuum, Ci [S20], 3-35
 Wand, Vacuum, W/ Label, JP [S20], 3-35
 Wand, Vacuum, W/ Label, Na [S20], 3-35
 Washer, 5-18, 5-23
 Washer Flat, 0.50, Sae, 2-15, 2-23, 2-45, 2-55, 2-73, 3-11, 3-13, 3-25
 Washer, Flat [Ku], 5-20, 5-29
 Washer, Flat, 0.25, Fendr, 2-73, 3-17
 Washer, Flat, 0.25, Sae, 2-57, 3-3, 3-5, 3-7, 3-9, 3-45
 Washer, Flat, 0.25, Std, 2-11, 2-13, 2-29, 2-33, 2-39, 2-63, 2-65, 2-67, 2-73, 2-77, 2-87, 3-19, 3-23, 3-31, 3-33, 3-35
 Washer, Flat, 0.25b 0.88d .06, Neo, 2-77
 Washer, Flat, 0.27b 0.69d .05, Ss, 2-19, 3-23
 Washer, Flat, 0.31, Fendr, 2-5, 2-61, 2-65, 2-75, 3-17, 3-31, 3-33
 Washer, Flat, 0.31, Sae, 2-7, 2-9, 2-23, 2-25, 2-39, 2-77
 Washer, Flat, 0.31, Std, 2-5, 2-11, 2-13, 2-15, 2-17, 2-23, 2-43, 2-45, 2-49, 2-51, 2-53, 2-65, 2-69, 2-71, 2-73, 2-75, 2-89, 3-3, 3-5, 3-7, 3-9, 3-11, 3-13, 3-23
 Washer, Flat, 0.31b 0.88d .12, Rbr, 2-89
 Washer, Flat, 0.33b 0.75d .12, Stl, Pl, 2-77
 Washer, Flat, 0.34b 0.69d .06, Nyl, 2-15
 Washer, Flat, 0.38, Sae, 2-41, 2-47, 2-77, 2-85, 2-87, 3-17
 Washer, Flat, 0.38, Std, 2-23, 2-33, 2-53, 2-55, 2-61, 2-65, 2-67, 2-73, 2-75, 2-91, 3-25, 3-27
 Washer, Flat, 0.38b 0.88d .08, Ss, 2-55, 3-25
 Washer, Flat, 0.40B 1.12D .12, Ss, 2-65, 2-67, 2-73
 Washer, Flat, 0.44, Std, 2-53

CROSS REFERENCE

Washer, Flat, 0.53b 1.75d .12, Stl, Pl,
2-23, 2-25, 2-51
Washer, Flat, 0.62, Sae, 2-55, 3-25
Washer, Flat, 0.75, Sae, 2-47
Washer, Flat, 0.76b 1.50d .06, Ss, 2-45
Washer, Flat, 08, 2-57
Washer, Flat, 1.02b 1.75d .12, Stl, 2-63
Washer, Flat, 1.26b 1.88d .13, Stl, 2-47
Washer, Flat, 1.91b 3.00d .16, Felt, 2-47
Washer, Flat, 10, 2-45, 2-65, 2-67, 2-75,
3-3, 3-5, 3-7, 3-9, 3-15
Washer, Flat, Belleville, .31, 3-17
Washer, Flat, Belleville, .50, 2-61
Washer, Flat, M21.0b X 37d X 3, 2-45
Washer, Flat, Pump, Hyd, 4-3
Washer, Lock, Ext [Ku], 5-21
Washer, Lock, Int-Ext, 0.25, 2-75
Washer, Lock, Int-Ext, 0.31, 2-5
Washer, Lock, Int-Ext, 0.38, 2-41
Washer, Lock, Int, 04, 2-63, 3-7, 3-9
Washer, Lock, Int, 10, Ss, 2-75
Washer, Lock, Spcl, 2-19
Washer, Lock, Split [Ku,04512-50080],
5-17, 5-20, 5-23, 5-24, 5-30
Washer, Pump, Hyd [En], 4-3
Washer, Rbr [Ku], 5-6
Washer, Sealing, M8, 2-49
Washer, Shaft, Rocker [Ku], 5-29
Washer, Thrust, 0.53b 1.00d 0.03w[Fbrg],
2-55, 3-25
Washer, Thrust, 0.61b 1.25d .06, Fgl,
2-55, 3-25
Washer, Valve, Hyd, 4-11
Washer, Valve, Hyd [En], 4-11
Washer, Wavy, 0.53b 0.81d .09, 2-51
Weight, Eccentric, Pntd, 2-75
Wheel Assy, Rim, 08.0 X 4.33 4.5bc/5b,
2-47
Wheel and Tire Kit, Bias Front, 3-42
Wheel and Tire Kit, Non-Mark Solid, Front,
3-40
Wheel and Tire Kit, Radial Front, 3-43
Wheel and Tire Kit, Soft Ride, Front, 3-41
Wheel, Steering, 14.0D 0.81B 36Tooth,
2-21